



Air Conditioning & Heating

GSX14

COOLING CAPACITY:
18,000 - 60,000 BTU/H

**ENERGY-EFFICIENT
SPLIT SYSTEM AIR CONDITIONER
14 SEER / UP TO 12.2 EER**



Contents

Nomenclature.....	2
Product Specifications.....	3
Expanded Cooling Data.....	5
Performance Data.....	29
AHRI Ratings.....	31
Dimensions.....	72
Wiring Diagrams.....	73
Accessories.....	75

Standard Features

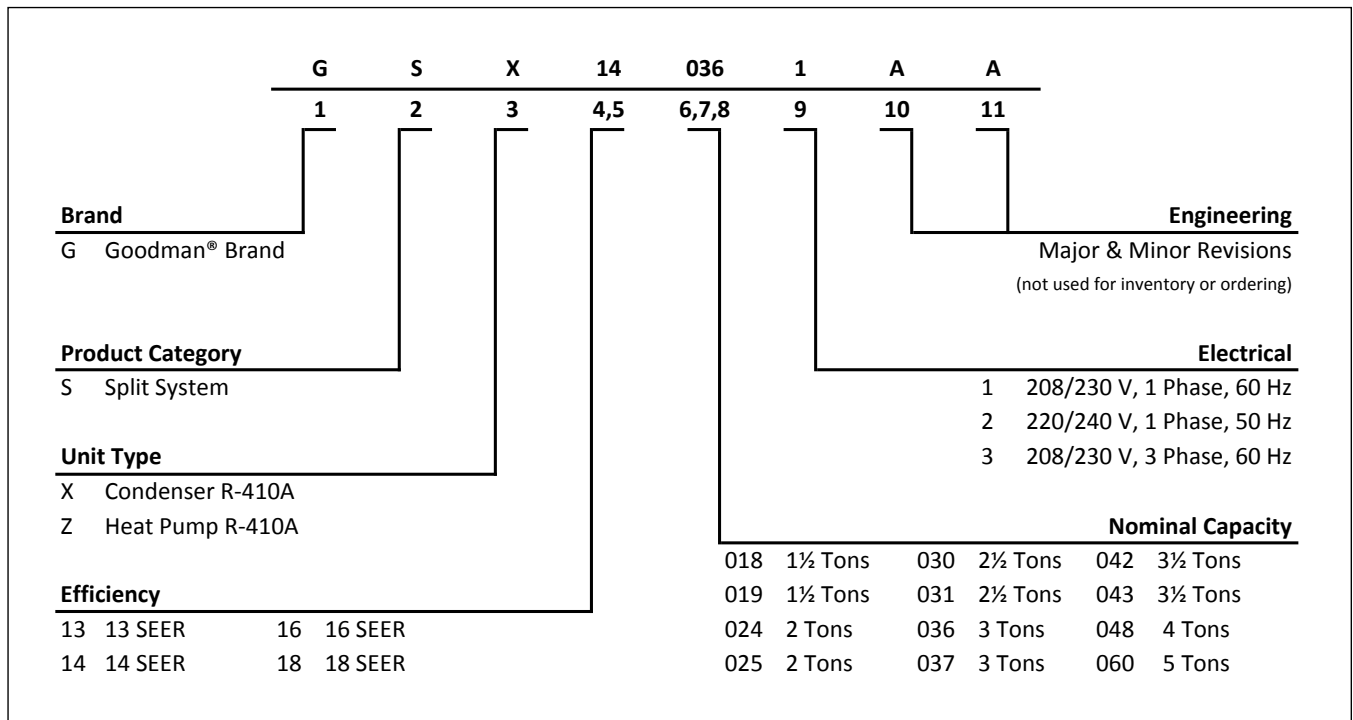
- Energy-efficient compressor
- Single-speed condenser fan motor
- Factory-installed filter drier
- Copper tube/aluminum fin coil
- Service valves with sweat connections and easy-access gauge ports
- Contactor with lug connection
- Ground lug connection
- AHRI Certified; ETL Listed

Cabinet Features

- Heavy-gauge galvanized-steel cabinet with a louvered sound control top
- Attractive Architectural Gray powder-paint finish with 500-hour salt-spray approval
- Steel louver coil guard
- Top and side maintenance access
- Single-panel access to controls with space provided for field-installed accessories
- When properly anchored, meets the 2010 Florida Building Code unit integrity requirements for hurricane-type winds (Anchor bracket kits available.)



* Complete warranty details available from your local dealer or at www.goodmanmfg.com. To receive the 10-Year Parts Limited Warranty, online registration must be completed within 60 days of installation. Online registration is not required in California or Quebec.



	GSX14 0181L*	GSX14 0191K*	GSX14 0241L*	GSX14 0251L*	GSX14 0301K*	GSX14 0311K*
CAPACITIES						
Nom Cool (BTU/h)	18,000	18,000	24,000	24,000	30,000	30,000
SEER/EER	14 / 12	14 / 12.2	14 / 12	14 / 12.2	14 / 12.0	14 / 12.2
Decibels	72.5	71	74.3	71	72	72
COMPRESSOR						
RLA	6.7	9.0	7.7	13.5	12.8	12.8
LRA	37.5	47.5	37.0	58.3	64	67.8
CONDENSER FAN MOTOR						
Hp	1/8	1/8	1/8	1/8	1/6	1/6
FLA	0.7	0.7	0.7	0.7	0.95	0.95
REFRIGERATION SYSTEM						
Refrigerant Line Size ¹						
Liquid Line Size ("O.D.)	3/8"	3/8"	3/8"	3/8"	3/8"	3/8"
Suction Line Size ("O.D.)	3/4"	3/4"	3/4"	3/4"	3/4"	3/4"
Refrigerant Connection Size						
Liquid Valve Size ("O.D.)	3/8"	3/8"	3/8"	3/8"	3/8"	3/8"
Suction Valve Size ("O.D.) ^{2 3}	3/4"	3/4"	3/4"	3/4"	3/4"	3/4"
Valve Type	Sweat	Sweat	Sweat	Sweat	Sweat	Sweat
Charge	75	68	84	75	80	90
Included piston:	0.051	0.053	0.057	0.057	0.065	0.063
ELECTRICAL DATA						
Voltage-Phase (60 Hz)	208/230-1	208/230-1	208/230-1	208/230-1	208/230-1	208/230-1
Minimum Circuit Ampacity ⁴	9.1	12	10.3	17.6	17.0	17.0
Max. Overcurrent Protection ⁵	15 amps	20 amps	15 amps	30 amps	25 amps	25 amps
Min/Max Volts	197/253	197/253	197/253	197/253	197/253	197/253
Conduit	1/2" or 3/4"	1/2" or 3/4"	1/2" or 3/4"	1/2" or 3/4"	1/2" or 3/4"	1/2" or 3/4"
EQUIPMENT WEIGHT	126	131	126	136	162	162
SHIPPING WEIGHT	141	146	141	153	180	180

¹ Line sizes denoted for 25' line sets, tested and rated in accordance with AHRI Standard 210/240.
For other line-set lengths or sizes, refer to the installation & Operating instructions and/or the long line-set guidelines.

² Installer will need to supply 3/4" to 3/8" adapters for suction line connections.

³ Installer will need to supply 3/8" to 1/2" adapters for suction line connections.

⁴ Wire size should be determined in accordance with National Electrical Codes; extensive wire runs will require larger wire sizes

⁵ Must use time-delay fuses or HACR-type circuit breakers of the same size as noted.

NOTES

- Always check the S&R plate for electrical data on the unit being installed.
- Unit is charged with refrigerant for 15' of 3/8" liquid line. System charge must be adjusted per Installation Instructions Final Charge Procedure.

PRODUCT SPECIFICATIONS (CONT.)

	GSX14 0361K*	GSX14 0371K*	GSX14 0421K*	GSX14 0431K*	GSX14 0481K*	GSX14 0601K*
CAPACITIES						
Nom Cool (BTU/h)	36,000	36,000	42,000	42,000	48,000	60,000
SEER/EER	14 / 12	14 / 12.2	14 / 12	14 / 12.2	14 / 11.7	14 / 11.7
Decibels	73	73	73	73	74	75
COMPRESSOR						
RLA	14.1	14.1	16.7	16.7	19.9	25.0
LRA	77	72.2	79	79	109	134
CONDENSER FAN MOTOR						
Hp	1/6	1/6	1/6	1/6	1/4	1/4
FLA	0.95	0.95	0.95	0.95	1.5	1.5
REFRIGERATION SYSTEM						
Refrigerant Line Size ¹						
Liquid Line Size ("O.D.)	3/8"	3/8"	3/8"	3/8"	3/8"	3/8"
Suction Line Size ("O.D.)	7/8"	7/8"	1 1/8"	1 1/8"	1 1/8"	1 1/8"
Refrigerant Connection Size						
Liquid Valve Size ("O.D.)	3/8"	3/8"	3/8"	3/8"	3/8"	3/8"
Suction Valve Size ("O.D.) ^{2 3}	3/4"	3/4"	7/8"	7/8"	7/8"	7/8"
Valve Type	Sweat	Sweat	Sweat	Sweat	Sweat	Sweat
Charge	80	89	112	112	131	125
Included piston:	0.068	0.071	0.074	0.074	0.078	0.088
ELECTRICAL DATA						
Voltage-Phase (60 Hz)	208/230-1	208/230-1	208/230-1	208/230-1	208/230-1	208/230-1
Minimum Circuit Ampacity ⁴	18.6	18.6	21.8	21.8	26.4	32.8
Max. Overcurrent Protection ⁵	30 amps	30 amps	35 amps	35 amps	45 amps	50 amps
Min/Max Volts	197/253	197/253	197/253	197/253	197/253	197/253
Conduit	1/2" or 3/4"	1/2" or 3/4"	1/2" or 3/4"	1/2" or 3/4"	1/2" or 3/4"	1/2" or 3/4"
EQUIPMENT WEIGHT	162	162	189	189	220	260
SHIPPING WEIGHT	180	180	207	207	242	280

¹ Line sizes denoted for 25' line sets, tested and rated in accordance with AHRI Standard 210/240.
For other line-set lengths or sizes, refer to the installation & Operating instructions and/or the long line-set guidelines.

² Installer will need to supply 3/4" to 7/8" adapters for suction line connections.

³ Installer will need to supply 7/8" to 1 1/8" adapters for suction line connections.

⁴ Wire size should be determined in accordance with National Electrical Codes; extensive wire runs will require larger wire sizes

⁵ Must use time-delay fuses or HACR-type circuit breakers of the same size as noted.

NOTES

- Always check the S&R plate for electrical data on the unit being installed.
- Unit is charged with refrigerant for 15' of 3/8" liquid line. System charge must be adjusted per Installation Instructions Final Charge Procedure.

IDB		OUTDOOR AMBIENT TEMPERATURE												ENTERING INDOOR WET BULB TEMPERATURE																							
		65						75						85						95						105						115					
		59	63	67	71	75	79	59	63	67	71	75	79	59	63	67	71	75	79	59	63	67	71	75	79	59	63	67	71	75	79	59	63	67	71	75	79
525	MBh	15.8	16.4	17.9	-	-	15.4	16.0	17.5	-	-	15.1	15.6	17.1	-	-	14.7	15.2	16.7	-	-	14.0	14.5	15.9	-	-	12.9	13.4	14.7	-	-						
	S/T	0.69	0.57	0.40	-	-	0.71	0.60	0.41	-	-	0.73	0.61	0.42	-	-	0.75	0.63	0.44	-	-	0.78	0.65	0.45	-	-	0.79	0.66	0.46	-	-						
	ΔT	19	16	13	-	-	19	17	13	-	-	19	17	13	-	-	19	17	13	-	-	19	17	13	-	-	18	15	12	-	-						
	KW	0.93	0.95	0.98	-	-	1.01	1.03	1.07	-	-	1.08	1.10	1.14	-	-	1.13	1.16	1.20	-	-	1.19	1.21	1.26	-	-	1.23	1.26	1.30	-	-						
	Amps	4.2	4.3	4.4	-	-	4.5	4.6	4.7	-	-	4.9	5.0	5.1	-	-	5.2	5.3	5.4	-	-	5.5	5.6	5.8	-	-	5.8	5.9	6.1	-	-						
	HI PR	206	222	234	-	-	231	249	263	-	-	263	283	299	-	-	300	322	340	-	-	337	363	383	-	-	372	401	423	-	-						
	LO PR	105	111	122	-	-	111	118	128	-	-	115	122	133	-	-	121	128	140	-	-	127	135	147	-	-	131	139	152	-	-						
	MBh	17.1	17.7	19.4	-	-	16.7	17.3	19.0	-	-	16.3	16.9	18.5	-	-	15.9	16.5	18.1	-	-	15.1	15.7	17.2	-	-	14.0	14.5	15.9	-	-						
	S/T	0.71	0.60	0.41	-	-	0.74	0.62	0.43	-	-	0.76	0.63	0.44	-	-	0.78	0.65	0.45	-	-	0.81	0.68	0.47	-	-	0.82	0.68	0.47	-	-						
	ΔT	19	16	12	-	-	19	16	12	-	-	19	16	12	-	-	19	17	13	-	-	19	16	12	-	-	18	15	12	-	-						
	KW	0.96	0.98	1.01	-	-	1.03	1.06	1.09	-	-	1.10	1.13	1.17	-	-	1.17	1.19	1.23	-	-	1.22	1.25	1.29	-	-	1.26	1.29	1.34	-	-						
	Amps	4.3	4.4	4.5	-	-	4.6	4.7	4.9	-	-	5.0	5.1	5.3	-	-	5.3	5.4	5.6	-	-	5.6	5.8	5.9	-	-	5.9	6.1	6.3	-	-						
	HI PR	212	229	241	-	-	238	257	271	-	-	271	292	308	-	-	309	332	351	-	-	347	374	395	-	-	384	413	436	-	-						
	LO PR	108	115	125	-	-	114	121	132	-	-	118	126	138	-	-	124	132	145	-	-	130	139	151	-	-	135	144	157	-	-						
	MBh	17.6	18.2	19.9	-	-	17.1	17.8	19.5	-	-	16.7	17.3	19.0	-	-	16.3	16.9	18.5	-	-	15.5	16.1	17.6	-	-	14.4	14.9	16.3	-	-						
	S/T	0.75	0.63	0.43	-	-	0.78	0.65	0.45	-	-	0.80	0.67	0.46	-	-	0.82	0.69	0.48	-	-	0.86	0.71	0.50	-	-	0.86	0.72	0.50	-	-						
	ΔT	18	16	12	-	-	18	16	12	-	-	18	16	12	-	-	18	16	12	-	-	18	16	12	-	-	17	15	11	-	-						
	KW	0.96	0.99	1.02	-	-	1.04	1.07	1.10	-	-	1.11	1.14	1.18	-	-	1.18	1.20	1.25	-	-	1.23	1.26	1.30	-	-	1.27	1.30	1.35	-	-						
	Amps	4.3	4.4	4.6	-	-	4.6	4.8	4.9	-	-	5.0	5.1	5.3	-	-	5.3	5.5	5.6	-	-	5.7	5.8	6.0	-	-	6.0	6.1	6.3	-	-						
	HI PR	215	231	244	-	-	241	259	274	-	-	274	295	311	-	-	312	336	354	-	-	351	378	399	-	-	388	417	441	-	-						
	LO PR	109	116	127	-	-	115	122	134	-	-	120	127	139	-	-	126	134	146	-	-	132	140	153	-	-	136	145	158	-	-						

IDB		OUTDOOR AMBIENT TEMPERATURE												ENTERING INDOOR WET BULB TEMPERATURE																							
		65						75						85						95						105						115					
		59	63	67	71	75	79	59	63	67	71	75	79	59	63	67	71	75	79	59	63	67	71	75	79	59	63	67	71	75	79	59	63	67	71	75	79
525	MBh	16.1	16.5	17.9	19.2	-	15.7	16.2	17.5	18.8	-	-	15.3	15.8	17.1	18.3	-	-	15.0	15.4	16.7	17.9	-	-	14.2	14.6	15.8	17.0	-	-							
	S/T	0.78	0.70	0.53	0.34	-	0.81	0.72	0.55	0.35	-	-	0.83	0.74	0.56	0.36	-	-	0.86	0.77	0.58	0.37	-	-	0.89	0.80	0.60	0.39	-	-							
	ΔT	22	20	17	11	-	22	21	17	12	-	-	22	21	17	12	-	-	22	21	17	12	-	-	22	20	17	12	-	-							
	KW	0.94	0.96	0.99	1.03	-	1.02	1.04	1.08	1.11	-	-	1.08	1.11	1.15	1.19	-	-	1.14	1.17	1.21	1.25	-	-	1.20	1.22	1.27	1.31	-	-							
	Amps	4.2	4.3	4.4	4.6	-	4.5	4.6	4.8	4.9	-	-	4.9	5.0	5.2	5.3	-	-	5.2	5.3	5.5	5.7	-	-	5.5	5.7	5.8	6.0	-	-							
	HI PR	208	224	237	247	-	234	251	265	277	-	-	266	286	302	315	-	-	303	326	344	359	-	-	340	366	387	404	-	-							
	LO PR	106	112	123	131	-	112	119	130	138	-	-	116	124	135	144	-	-	122	130	142	151	-	-	128	136	148	158	-	-							
	MBh	17.4	17.9	19.4	20.8	-	17.0	17.5	19.0	20.3	-	-	16.6	17.1	18.5	19.9	-	-	16.2	16.7	18.1	19.4	-	-	15.4	15.8	17.2	18.4	-	-							
	S/T	0.81	0.73	0.55	0.35	-	0.84	0.75	0.57	0.37	-	-	0.86	0.77	0.58	0.38	-	-	0.89	0.80	0.60	0.39	-	-	0.92	0.83	0.62	0.40	-	-							
	ΔT	22	20	16	11	-	22	20	17	11	-	-	22	20	17	11	-	-	22	20	17	12	-	-	22	20	16	11	-	-							
	KW	0.96	0.99	1.02	1.05	-	1.04	1.07	1.10	1.14	-	-	1.11	1.14	1.18	1.22	-	-	1.18	1.20	1.25	1.29	-	-	1.23	1.26	1.30	1.35	-	-							
	Amps	4.3	4.4	4.6	4.7	-	4.6	4.8	4.9	5.1	-	-	5.0	5.1	5.3	5.5	-	-	5.3	5.5	5.6	5.8	-	-	5.7	5.8	6.0	6.2	-	-							
	HI PR	215	231	244	254	-	241	259	274	285	-	-	274	295	311	325	-	-	312	336	355	370	-	-	351	378	399	416	-	-							
	LO PR	109	116	127	135	-	115	123	134	142	-	-	120	127	139	148	-	-	126	134	146	156	-	-	132	140	153	163	-	-							
	MBh	17.9	18.4	19.9	21.4	-	17.4	18.0	19.4	20.9	-	-	17.0	17.5	19.0	20.4	-	-	16.6	17.1	18.5	19.9	-	-	15.8	16.2	17.6	18.9	-	-							
	S/T	0.85	0.76	0.58	0.37	-	0.89	0.79	0.60	0.39	-	-	0.91	0.81	0.61	0.40	-	-	0.94	0.84	0.63	0.41	-	-	0.97	0.87	0.66	0.42	-	-							
	ΔT	21	19	16	11	-	21	19	16	11	-	-	21	19	16	11	-	-	21	20	16	11	-	-	21	19	16	11	-	-							
	KW	0.97	0.99	1.03	1.06	-	1.05	1.08	1.11	1.15	-	-	1.12	1.15	1.19	1.23	-	-	1.19	1.21	1.26	1.30	-	-	1.24	1.27	1.31	1.36	-	-							
	Amps	4.4	4.5	4.6	4.8	-	4.7	4.8	4.9	5.1	-	-	5.1	5.2	5.3	5.5	-	-	5.4	5.5	5.7	5.9	-	-	5.7	5.9	6.0	6.3	-	-							
	HI PR	217	233	246	257	-	243	262	276	288	-	-	277	298	314	328	-	-	315	339	358	373	-	-	354	381	403	420	-	-							
	LO PR	110	117	128	136	-	116	124	135	144	-	-	121	129	140	150	-	-	127	135	147	157	-	-	133	142	155	165	-	-							

IDB: Entering Indoor Dry Bulb Temperature
 High and low pressures are measured at the liquid and suction service valves.
 Shaded area reflects ACCA (TVA) conditions
 kW = Total system power
 Amps = outdoor unit amps (comp.+fan)

IDB		Outdoor Ambient Temperature												105												115											
		65						75						85						95						105						115					
		59	63	67	71	59	63	67	71	59	63	67	71	59	63	67	71	59	63	67	71	59	63	67	71	59	63	67	71	59	63	67	71				
Airflow		MBh	16.4	16.7	17.9	19.1	16.0	16.3	17.4	18.6	15.6	15.9	17.0	18.2	15.2	15.6	16.6	17.8	14.5	14.8	15.8	16.9	13.4	13.7	14.6	15.6	14.5	14.8	15.8	16.9	13.4	13.7	14.6	15.6			
525		S/T	0.86	0.80	0.65	0.5	0.89	0.83	0.68	0.51	0.91	0.85	0.70	0.5	0.94	0.88	0.72	0.54	0.98	0.92	0.75	0.6	0.98	0.92	0.75	0.56	0.98	0.92	0.75	0.6	0.98	0.92	0.75	0.56			
		ΔT	25	24	20	16	25	24	21	17	25	24	21	17	25	24	21	17	25	24	21	17	25	24	21	15	25	24	21	17	25	24	21	15			
		KW	0.95	0.97	1.00	1.0	1.03	1.05	1.08	1.12	1.09	1.12	1.16	1.2	1.15	1.18	1.22	1.27	1.21	1.23	1.28	1.3	1.25	1.28	1.33	1.37	1.21	1.23	1.28	1.3	1.25	1.28	1.33	1.37			
		Amps	4.2	4.3	4.5	4.6	4.6	4.7	4.8	5.0	4.9	5.0	5.2	5.4	5.3	5.4	5.5	5.7	5.6	5.7	5.9	6.1	5.9	6.0	6.2	6.4	5.6	5.7	5.9	6.1	5.9	6.0	6.2	6.4			
80		HI PR	210	226	239	249	236	254	268	280	268	289	305	318	306	329	347	362	344	370	391	408	380	409	432	450	344	370	391	408	380	409	432	450			
		LO PR	107	114	124	132	113	120	131	140	117	125	136	145	123	131	143	152	129	137	150	160	134	142	155	165	129	137	150	160	134	142	155	165			
		MBh	17.7	18.1	19.4	20.7	17.3	17.7	18.9	20.2	16.9	17.3	18.5	19.7	16.5	16.8	18.0	19.2	15.7	16.0	17.1	18.3	14.5	14.8	15.8	16.9	15.7	16.0	17.1	18.3	14.5	14.8	15.8	16.9			
		S/T	0.89	0.83	0.68	0.5	0.92	0.86	0.70	0.53	0.95	0.89	0.72	0.5	0.98	0.91	0.74	0.56	1.00	0.95	0.77	0.6	1.00	0.96	0.78	0.58	1.00	0.95	0.77	0.6	1.00	0.96	0.78	0.58			
		ΔT	24	23	20	16	24	23	20	16	24	23	20	16	25	24	21	16	24	23	20	16	22	22	19	15	24	23	20	16	22	22	19	15			
		KW	0.97	0.99	1.03	1.1	1.05	1.08	1.11	1.15	1.12	1.15	1.19	1.2	1.19	1.21	1.26	1.30	1.24	1.27	1.31	1.4	1.29	1.32	1.36	1.41	1.24	1.27	1.31	1.4	1.29	1.32	1.36	1.41			
		Amps	4.4	4.5	4.6	4.8	4.7	4.8	4.9	5.1	5.1	5.2	5.3	5.5	5.4	5.5	5.7	5.9	5.7	5.9	6.0	6.3	6.0	6.2	6.4	6.6	5.7	5.9	6.0	6.3	6.0	6.2	6.4	6.6			
675		HI PR	217	233	246	257	243	262	276	288	277	298	314	328	315	339	358	374	355	382	403	420	392	422	445	464	355	382	403	420	392	422	445	464			
		LO PR	110	117	128	136	116	124	135	144	121	129	140	150	127	135	148	157	133	142	155	165	138	146	160	170	133	142	155	165	138	146	160	170			
		MBh	18.2	18.6	19.8	21.2	17.7	18.1	19.4	20.7	17.3	17.7	18.9	20.2	16.9	17.3	18.5	19.7	16.1	16.4	17.5	18.7	14.9	15.2	16.2	17.4	16.1	16.4	17.5	18.7	14.9	15.2	16.2	17.4			
		S/T	0.94	0.88	0.72	0.5	0.97	0.91	0.74	0.55	1.00	0.93	0.76	0.6	1.00	0.96	0.78	0.59	1.00	1.00	0.81	0.6	1.00	1.00	0.82	0.61	1.00	1.00	0.81	0.6	1.00	1.00	0.82	0.61			
		ΔT	23	22	19	15	23	22	20	16	24	23	20	16	23	23	20	16	22	22	19	16	20	21	18	15	22	22	19	16	20	21	18	15			
		KW	0.98	1.00	1.04	1.1	1.06	1.09	1.12	1.16	1.13	1.16	1.20	1.2	1.20	1.22	1.27	1.31	1.25	1.28	1.32	1.4	1.30	1.33	1.37	1.42	1.25	1.28	1.32	1.4	1.30	1.33	1.37	1.42			
		Amps	4.4	4.5	4.6	4.8	4.7	4.8	5.0	5.2	5.1	5.2	5.4	5.6	5.4	5.6	5.7	5.9	5.8	5.9	6.1	6.3	6.1	6.2	6.4	6.7	5.8	5.9	6.1	6.3	6.1	6.2	6.4	6.7			
85		HI PR	219	236	249	260	246	264	279	291	279	301	318	331	318	343	362	377	358	385	407	424	396	426	450	469	358	385	407	424	396	426	450	469			
		LO PR	108	115	125	133	114	121	132	141	118	126	138	147	124	132	145	154	130	139	151	161	135	143	157	167	130	139	151	161	135	143	157	167			
		MBh	18.0	18.4	19.3	20.5	17.6	18.0	18.8	20.1	17.2	17.5	18.4	19.6	16.8	17.1	17.9	19.1	15.9	16.2	17.0	18.2	14.8	15.0	15.8	16.8	15.9	16.2	17.0	18.2	14.8	15.0	15.8	16.8			
		S/T	0.93	0.90	0.81	0.66	0.97	0.93	0.84	0.68	0.99	0.96	0.86	0.70	1.00	0.99	0.89	0.72	1.00	1.00	0.92	0.75	1.00	1.00	0.93	0.76	1.00	1.00	0.92	0.75	1.00	1.00	0.93	0.76			
		ΔT	26	25	24	21	26	26	24	21	26	26	24	21	26	26	24	21	24	25	24	21	23	23	23	19	24	25	24	21	23	23	23	19			
		KW	0.98	1.00	1.04	1.07	1.06	1.09	1.12	1.16	1.13	1.16	1.20	1.24	1.20	1.22	1.27	1.31	1.25	1.28	1.32	1.37	1.30	1.33	1.37	1.42	1.25	1.28	1.32	1.37	1.30	1.33	1.37	1.42			
		Amps	4.4	4.5	4.6	4.8	4.7	4.8	5.0	5.2	5.1	5.2	5.4	5.6	5.4	5.6	5.7	5.9	5.8	5.9	6.1	6.3	6.1	6.2	6.4	6.7	5.8	5.9	6.1	6.3	6.1	6.2	6.4	6.7			
600		HI PR	219	236	249	260	246	264	279	291	279	301	318	331	318	343	362	377	358	385	407	424	396	426	450	469	358	385	407	424	396	426	450	469			
		LO PR	111	118	129	138	117	125	136	145	122	130	142	151	128	136	149	159	134	143	156	166	139	148	161	172	134	143	156	166	139	148	161	172			
		MBh	18.5	18.8	19.7	21.1	18.1	18.4	19.3	20.6	17.6	18.0	18.8	20.1	17.2	17.5	18.4	19.6	16.3	16.7	17.4	18.6	15.1	15.4	16.2	17.2	16.3	16.7	17.4	18.6	15.1	15.4	16.2	17.2			
		S/T	0.98	0.95	0.86	0.69	1.00	0.98	0.89	0.72	1.00	1.00	0.91	0.74	1.00	1.00	0.94	0.76	1.00	1.00	0.97	0.79	1.00	1.00	0.98	0.80	1.00	1.00	0.97	0.79	1.00	1.00	0.98	0.80			
		ΔT	25	24	23	20	25	25	23	20	24	24	23	20	23	24	23	20	22	23	23	20	21	21	22	19	22	23	23	20	21	21	22	19			
		KW	0.99	1.01	1.05	1.08	1.07	1.10	1.13	1.17	1.14	1.17	1.21	1.25	1.21	1.24	1.28	1.32	1.26	1.29	1.34	1.38	1.31	1.34	1.39	1.44	1.26	1.29	1.34	1.38	1.31	1.34	1.39	1.44			
		Amps	4.4	4.5	4.7	4.8	4.8	4.9	5.0	5.2	5.2	5.3	5.4	5.6	5.5	5.6	5.8	6.0	5.8	6.0	6.1	6.4	6.2	6.3	6.5	6.7	5.8	6.0	6.1	6.4	6.2	6.3	6.5	6.7			
675		HI PR	221	238	251	262	248	267	282	294	282	304	321	335	321	346	365	381	362	389	411	429	400	430	454	474	362	389	411	429	400	430	454	474			
		LO PR	112	119	130	139	119	126	138	147	123	131	143	153	130	138	150	160	136	144	158	168	140	149	163	174	136	144	158	168	140	149	163	174			

KW = Total system power
Amps = outdoor unit amps (comp.+fan)

Shaded area reflects AHRI conditions

IDB: Entering Indoor Dry Bulb Temperature
High and low pressures are measured at the liquid and suction service valves.

IDB		OUTDOOR AMBIENT TEMPERATURE												ENTERING INDOOR WET BULB TEMPERATURE																									
		65				75				85				95				105				115																	
		59	63	67	71	59	63	67	71	59	63	67	71	59	63	67	71	59	63	67	71	59	63	67	71														
550	MBh	18.1	18.4	18.9	18.0	18.2	18.8	17.5	17.8	18.3	16.7	17.0	17.5	15.7	16.0	16.5	14.8	15.1	15.6	-	18.1	18.4	18.9	18.0	18.2	18.8	17.5	17.8	18.3	16.7	17.0	17.5	15.7	16.0	16.5	14.8	15.1	15.6	-
	S/T	0.65	0.57	0.44	0.65	0.58	0.45	0.68	0.60	0.47	1.00	0.62	0.49	1.00	0.64	0.51	1.00	0.69	0.56	-	0.65	0.57	0.44	0.65	0.58	0.45	0.68	0.60	0.47	1.00	0.62	0.49	1.00	0.64	0.51	1.00	0.69	0.56	-
	ΔT	20	18	14	20	18	14	20	18	14	20	18	14	20	18	14	21	19	15	-	20	18	14	20	18	14	20	18	14	20	18	14	21	19	15	-	-	-	-
	KW	1.05	1.05	1.05	1.17	1.17	1.16	1.30	1.30	1.29	1.44	1.44	1.43	1.59	1.59	1.59	1.78	1.78	1.77	-	1.05	1.05	1.05	1.17	1.17	1.16	1.30	1.30	1.29	1.44	1.44	1.43	1.59	1.59	1.59	1.78	1.78	1.77	-
	Amps	3.9	3.9	3.9	4.4	4.4	4.4	5.0	5.0	5.0	5.7	5.7	5.6	6.4	6.4	6.4	7.2	7.2	7.2	-	3.9	3.9	3.9	4.4	4.4	4.4	5.0	5.0	5.0	5.7	5.7	5.6	6.4	6.4	6.4	7.2	7.2	7.2	-
	HI PR	240	241	242	277	278	280	316	318	319	359	360	362	404	405	407	453	454	456	-	240	241	242	277	278	280	316	318	319	359	360	362	404	405	407	453	454	456	-
	LO PR	125	126	129	132	134	137	139	140	143	144	146	149	150	151	154	156	158	161	-	125	126	129	132	134	137	139	140	143	144	146	149	150	151	154	156	158	161	-
	MBh	18.3	18.6	19.1	18.2	18.4	19.0	17.7	18.0	18.5	16.9	17.2	17.7	15.9	16.2	16.7	15.0	15.3	15.8	-	18.3	18.6	19.1	18.2	18.4	19.0	17.7	18.0	18.5	16.9	17.2	17.7	15.9	16.2	16.7	15.0	15.3	15.8	-
	S/T	0.67	0.60	0.47	0.68	0.61	0.47	0.70	0.63	0.50	1.00	0.65	0.52	1.00	0.67	0.54	1.00	0.72	0.59	-	0.67	0.60	0.47	0.68	0.61	0.47	0.70	0.63	0.50	1.00	0.65	0.52	1.00	0.67	0.54	1.00	0.72	0.59	-
	ΔT	19	17	13	19	17	13	19	17	14	19	17	13	19	17	13	20	18	14	-	19	17	13	19	17	13	19	17	14	19	17	13	19	17	13	20	18	14	-
KW	1.05	1.05	1.05	1.17	1.17	1.17	1.30	1.30	1.30	1.44	1.44	1.44	1.60	1.60	1.60	1.78	1.78	1.78	-	1.05	1.05	1.05	1.17	1.17	1.17	1.30	1.30	1.30	1.44	1.44	1.44	1.60	1.60	1.60	1.78	1.78	1.78	-	
Amps	3.9	3.9	3.9	4.4	4.4	4.4	5.0	5.0	5.0	5.7	5.7	5.7	6.4	6.4	6.4	7.2	7.2	7.2	-	3.9	3.9	3.9	4.4	4.4	4.4	5.0	5.0	5.0	5.7	5.7	5.7	6.4	6.4	6.4	7.2	7.2	7.2	-	
HI PR	241	242	244	279	280	281	318	319	321	360	361	363	406	407	409	455	456	457	-	241	242	244	279	280	281	318	319	321	360	361	363	406	407	409	455	456	457	-	
LO PR	126	128	131	133	135	138	140	142	145	146	147	150	151	152	156	158	159	162	-	126	128	131	133	135	138	140	142	145	146	147	150	151	152	156	158	159	162	-	
MBh	18.7	18.9	19.5	18.5	18.8	19.3	18.1	18.3	18.9	17.3	17.5	18.1	16.3	16.5	17.1	15.4	15.6	16.2	-	18.7	18.9	19.5	18.5	18.8	19.3	18.1	18.3	18.9	17.3	17.5	18.1	16.3	16.5	17.1	15.4	15.6	16.2	-	
S/T	0.69	0.62	0.49	0.70	0.62	0.49	0.72	0.65	0.52	1.00	0.67	0.53	1.00	0.69	0.56	1.00	0.74	0.61	-	0.69	0.62	0.49	0.70	0.62	0.49	0.72	0.65	0.52	1.00	0.67	0.53	1.00	0.69	0.56	1.00	0.74	0.61	-	
ΔT	18	16	13	18	16	12	18	16	13	18	16	12	18	16	12	19	17	13	-	18	16	13	18	16	12	18	16	13	18	16	12	18	16	12	19	17	13	-	
KW	1.06	1.06	1.06	1.18	1.17	1.17	1.30	1.30	1.30	1.44	1.44	1.44	1.60	1.60	1.60	1.79	1.79	1.78	-	1.06	1.06	1.06	1.18	1.17	1.17	1.30	1.30	1.30	1.44	1.44	1.44	1.60	1.60	1.60	1.79	1.79	1.78	-	
Amps	3.9	3.9	3.9	4.5	4.5	4.5	5.1	5.1	5.0	5.7	5.7	5.7	6.4	6.4	6.4	7.3	7.3	7.2	-	3.9	3.9	3.9	4.5	4.5	4.5	5.1	5.1	5.0	5.7	5.7	5.7	6.4	6.4	6.4	7.3	7.3	7.2	-	
HI PR	243	244	246	281	282	283	320	321	323	362	363	365	408	409	411	457	458	459	-	243	244	246	281	282	283	320	321	323	362	363	365	408	409	411	457	458	459	-	
LO PR	128	130	133	136	137	141	142	144	147	148	149	153	153	155	158	160	162	165	-	128	130	133	136	137	141	142	144	147	148	149	153	153	155	158	160	162	165	-	

IDB		OUTDOOR AMBIENT TEMPERATURE												ENTERING INDOOR WET BULB TEMPERATURE																																			
		65				75				85				95				105				115																											
		59	63	67	71	59	63	67	71	59	63	67	71	59	63	67	71	59	63	67	71	59	63	67	71																								
550	MBh	18.2	18.4	18.9	19.8	18.0	18.2	18.8	19.6	17.5	17.8	18.3	19.1	16.7	17.0	17.5	15.7	16.0	16.5	14.8	15.1	15.6	16.4	18.2	18.4	18.9	19.8	17.5	17.8	18.3	19.1	16.7	17.0	17.5	15.7	16.0	16.5	14.8	15.1	15.6	16.4								
	S/T	0.77	0.70	0.57	0.43	0.78	0.70	0.57	0.43	1.00	0.73	0.60	0.46	1.00	0.75	0.64	0.50	1.00	0.80	0.66	0.53	1.00	0.71	0.58	0.77	0.70	0.57	0.43	1.00	0.73	0.60	0.46	1.00	0.75	0.64	0.50	1.00	0.80	0.66	0.53	1.00	0.71	0.58						
	ΔT	24	22	18	15	24	22	18	15	24	22	19	15	24	22	18	14	23	21	17	14	24	22	19	15	24	22	18	15	24	22	19	15	24	22	18	14	23	21	17	14	24	22	19	15				
	KW	1.05	1.05	1.05	1.06	1.17	1.16	1.16	1.17	1.18	1.30	1.29	1.29	1.30	1.44	1.43	1.44	1.59	1.59	1.59	1.60	1.78	1.78	1.77	1.78	1.05	1.05	1.05	1.06	1.17	1.16	1.16	1.17	1.18	1.30	1.29	1.29	1.30	1.44	1.43	1.44	1.59	1.59	1.59	1.60	1.78	1.78	1.77	1.78
	Amps	3.9	3.9	3.9	3.9	4.4	4.4	4.4	4.4	4.4	5.0	5.0	5.0	5.0	5.7	5.7	5.6	6.4	6.4	6.4	7.2	7.2	7.2	7.2	3.9	3.9	3.9	3.9	4.4	4.4	4.4	4.4	4.4	5.0	5.0	5.0	5.0	5.7	5.6	6.4	6.4	6.4	7.2	7.2	7.2	7.2			
	HI PR	240	241	243	247	277	278	280	284	284	317	318	319	324	359	360	362	405	406	407	411	453	454	456	460	240	241	243	247	277	278	280	284	284	317	318	319	324	359	360	362	405	406	407	411	453	454	456	460
	LO PR	125	126	129	134	132	134	137	142	142	139	140	143	148	144	146	149	150	151	154	159	156	158	161	166	125	126	129	134	132	134	137	142	142	139	140	143	148	144	146	149	150	151	154	159	156	158	161	166
	MBh	18.4	18.6	19.1	20.0	18.2	18.4	19.0	19.8	19.8	17.7	18.0	18.5	19.3	16.9	17.2	17.7	15.9	16.2	16.7	15.0	15.3	15.8	16.6	18.4	18.6	19.1	20.0	18.2	18.4	19.0	19.8	19.8	17.7	18.0	18.5	19.3	16.9	17.2	17.7	15.9	16.2	16.7	15.0	15.3	15.8	16.6		
	S/T	0.80	0.73	0.59	0.45	1.00	0.73	0.60	0.46	1.00	0.76	0.62	0.48	1.00	0.77	0.64	0.50	1.00	0.80	0.66	0.53	1.00	0.71	0.58	0.80	0.73	0.59	0.45	1.00	0.73	0.60	0.46	1.00	0.76	0.62	0.48	1.00	0.77	0.64	0.50	1.00	0.80	0.66	0.53	1.00	0.71	0.58		
	ΔT	23	21	18	14	23	21	18	14	23	21	18	14	23	21	18	14	23	21	17	14	24	22	19	15	23	21	18	14	23	21	18	14	23	21	18	14	23	21	18	14	24	22	19	15	24	22	19	15
KW	1.05	1.05	1.05	1.06	1.17	1.17	1.17	1.18	1.18	1.30	1.30	1.30	1.31	1.44	1.44	1.44	1.60	1.60	1.60	1.60	1.78	1.78	1.78	1.79	1.05	1.05	1.05	1.06	1.17	1.17	1.17	1.18	1.18	1.30	1.30	1.30	1.31	1.44	1.44	1.44	1.60	1.60	1.60	1.60	1.78	1.78	1.78	1.79	
Amps	3.9	3.9	3.9	3.9	4.4	4.4	4.4	4.4	4.5	5.0	5.0	5.0	5.1	5.7	5.7	5.6	6.4	6.4	6.4	7.2	7.2	7.2	7.3	3.9	3.9	3.9	3.9	4.4	4.4	4.4	4.5	5.0	5.0	5.0	5.1	5.7	5.6	6.4	6.4	6.4	7.2	7.2	7.2	7.3	7.3				

IDB		OUTDOOR AMBIENT TEMPERATURE												ENTERING INDOOR WET BULB TEMPERATURE											
		65				75				85				95				105				115			
		59	63	67	71	59	63	67	71	59	63	67	71	59	63	67	71	59	63	67	71	59	63	67	71
550	MBh	18.2	18.5	19.0	19.8	18.1	18.3	18.9	19.7	17.6	17.9	18.4	19.2	16.8	17.1	17.6	18.4	15.8	16.1	16.6	17.4	14.9	15.2	15.7	16.5
	S/T	1.00	0.82	0.69	0.6	1.00	0.83	0.69	0.56	1.00	0.85	0.72	0.6	1.00	1.00	0.74	0.60	1.00	1.00	0.76	0.6	1.00	1.00	0.81	0.67
	ΔT	28	26	23	19	28	26	23	19	29	27	23	19	28	26	23	19	28	26	22	19	29	27	24	20
	KW	1.05	1.05	1.05	1.1	1.17	1.17	1.16	1.17	1.30	1.30	1.29	1.3	1.44	1.44	1.43	1.44	1.59	1.59	1.59	1.6	1.78	1.78	1.77	1.78
	Amps	3.9	3.9	3.9	3.9	4.4	4.4	4.4	4.5	5.0	5.0	5.0	5.0	5.7	5.7	5.6	5.7	6.4	6.4	6.4	6.4	7.2	7.2	7.2	7.2
600	HI PR	240	241	243	247	278	279	281	285	317	318	320	324	359	360	362	366	405	406	408	412	454	455	456	461
	LO PR	125	127	130	135	133	134	137	142	139	141	144	149	145	146	149	155	150	152	155	160	157	158	162	167
	MBh	18.4	18.7	19.2	20.0	18.3	18.5	19.1	19.9	17.8	18.1	18.6	19.4	17.0	17.3	17.8	18.6	16.0	16.3	16.8	17.6	15.1	15.4	15.9	16.7
	S/T	1.00	0.85	0.72	0.6	1.00	0.85	0.72	0.58	1.00	0.88	0.75	0.6	1.00	1.00	0.76	0.63	1.00	1.00	0.79	0.7	1.00	1.00	0.84	0.70
	ΔT	28	26	22	18	28	26	22	18	28	26	22	19	28	26	22	18	27	25	22	18	28	27	23	19
675	KW	1.06	1.06	1.06	1.1	1.17	1.17	1.17	1.18	1.30	1.30	1.30	1.3	1.44	1.44	1.44	1.45	1.60	1.60	1.59	1.6	1.78	1.78	1.78	1.79
	Amps	3.9	3.9	3.9	3.9	4.4	4.4	4.4	4.5	5.0	5.0	5.0	5.1	5.7	5.7	5.7	5.7	6.4	6.4	6.4	6.4	7.2	7.2	7.2	7.3
	HI PR	242	243	244	249	279	280	282	286	319	320	321	325	361	362	364	368	406	408	409	413	455	456	458	462
	LO PR	127	128	131	136	134	136	139	144	141	142	145	150	146	148	151	156	152	153	156	161	158	160	163	168
	MBh	18.8	19.1	19.6	20.4	18.6	18.9	19.4	20.2	18.2	18.4	19.0	19.8	17.4	17.6	18.2	19.0	16.4	16.6	17.2	18.0	15.5	15.7	16.3	17.1

IDB		OUTDOOR AMBIENT TEMPERATURE												ENTERING INDOOR WET BULB TEMPERATURE											
		65				75				85				95				105				115			
		59	63	67	71	59	63	67	71	59	63	67	71	59	63	67	71	59	63	67	71	59	63	67	71
550	MBh	18.5	18.8	19.3	20.2	18.4	18.6	19.2	20.0	17.9	18.2	18.7	19.5	17.1	17.4	17.9	18.7	16.1	16.4	16.9	17.7	15.2	15.5	16.0	16.8
	S/T	1.00	0.92	0.79	0.65	1.00	1.00	0.79	0.65	1.00	1.00	0.82	0.68	1.00	1.00	0.84	0.70	1.00	1.00	0.86	0.72	1.00	1.00	1.00	0.77
	ΔT	32	30	27	23	32	30	27	23	32	30	27	23	32	30	27	23	32	30	26	23	33	31	27	24
	KW	1.05	1.05	1.05	1.06	1.17	1.17	1.17	1.17	1.30	1.30	1.30	1.30	1.44	1.44	1.44	1.44	1.60	1.59	1.59	1.60	1.78	1.78	1.78	1.79
	Amps	3.9	3.9	3.9	3.9	4.4	4.4	4.4	4.5	5.0	5.0	5.0	5.1	5.7	5.7	5.7	5.7	6.4	6.4	6.4	6.4	7.2	7.2	7.2	7.3
600	HI PR	241	242	244	248	279	280	282	286	318	319	321	325	361	362	363	367	406	407	409	413	455	456	458	462
	LO PR	127	128	132	137	134	136	139	144	141	143	146	151	147	148	151	156	152	153	157	162	159	160	163	169
	MBh	18.7	19.0	19.5	20.4	18.6	18.8	19.4	20.2	18.1	18.4	18.9	19.7	17.3	17.6	18.1	18.9	16.3	16.6	17.1	17.9	15.4	15.7	16.2	17.0
	S/T	1.00	0.95	0.81	0.67	1.00	1.00	0.82	0.68	1.00	1.00	0.84	0.71	1.00	1.00	0.86	0.72	1.00	1.00	0.88	0.75	1.00	1.00	1.00	0.80
	ΔT	31	29	26	22	31	29	26	22	32	30	26	22	31	29	26	22	31	29	26	22	32	30	27	23
675	KW	1.06	1.06	1.06	1.07	1.17	1.17	1.17	1.18	1.30	1.30	1.30	1.31	1.44	1.44	1.44	1.45	1.60	1.60	1.60	1.61	1.78	1.78	1.78	1.79
	Amps	3.9	3.9	3.9	3.9	4.5	4.5	4.5	4.5	5.0	5.0	5.0	5.1	5.7	5.7	5.7	5.7	6.4	6.4	6.4	6.4	7.2	7.2	7.2	7.3
	HI PR	243	244	246	250	280	281	283	287	320	321	322	327	362	363	365	369	408	409	410	414	456	457	459	463
	LO PR	128	130	133	138	136	137	141	146	142	144	147	152	148	149	153	158	153	155	158	163	160	162	165	170
	MBh	19.1	19.4	19.9	20.7	18.9	19.2	19.7	20.5	18.5	18.7	19.3	20.1	17.7	17.9	18.5	19.3	16.7	16.9	17.5	18.3	15.8	16.0	16.6	17.4

IDB: Entering Indoor Dry Bulb Temperature
 High and low pressures are measured at the liquid and suction service valves.
 Shaded area reflects AHRI conditions
 kW = Total system power
 Amps = outdoor unit amps (comp.+fan)

IDB		OUTDOOR AMBIENT TEMPERATURE																		105																		115																																																																																																																																																																																																																																																																																																																																																																																																																																																																																																																																																																																																																																																																																																																																																																																																																																																																																																																																																																																																																																																																																																																																																																																																																																																																																																																																																																																					
		65						75						85						95						105						115																																																																																																																																																																																																																																																																																																																																																																																																																																																																																																																																																																																																																																																																																																																																																																																																																																																																																																																																																																																																																																																																																																																																																																																																																																																																																																																																																																																											
		ENTERING INDOOR WET BULB TEMPERATURE																																																																																																																																																																																																																																																																																																																																																																																																																																																																																																																																																																																																																																																																																																																																																																																																																																																																																																																																																																																																																																																																																																																																																																																																																																																																																																																																																																																																																									
AIRFLOW	59	63	67	71	75	79	83	87	91	95	99	103	107	111	115	119	123	127	131	135	139	143	147	151	155	159	163	167	171	175	179	183	187	191	195	199	203	207	211	215	219	223	227	231	235	239	243	247	251	255	259	263	267	271	275	279	283	287	291	295	299	303	307	311	315	319	323	327	331	335	339	343	347	351	355	359	363	367	371	375	379	383	387	391	395	399	403	407	411	415	419	423	427	431	435	439	443	447	451	455	459	463	467	471	475	479	483	487	491	495	499	503	507	511	515	519	523	527	531	535	539	543	547	551	555	559	563	567	571	575	579	583	587	591	595	599	603	607	611	615	619	623	627	631	635	639	643	647	651	655	659	663	667	671	675	679	683	687	691	695	699	703	707	711	715	719	723	727	731	735	739	743	747	751	755	759	763	767	771	775	779	783	787	791	795	799	803	807	811	815	819	823	827	831	835	839	843	847	851	855	859	863	867	871	875	879	883	887	891	895	899	903	907	911	915	919	923	927	931	935	939	943	947	951	955	959	963	967	971	975	979	983	987	991	995	999	1003	1007	1011	1015	1019	1023	1027	1031	1035	1039	1043	1047	1051	1055	1059	1063	1067	1071	1075	1079	1083	1087	1091	1095	1099	1103	1107	1111	1115	1119	1123	1127	1131	1135	1139	1143	1147	1151	1155	1159	1163	1167	1171	1175	1179	1183	1187	1191	1195	1199	1203	1207	1211	1215	1219	1223	1227	1231	1235	1239	1243	1247	1251	1255	1259	1263	1267	1271	1275	1279	1283	1287	1291	1295	1299	1303	1307	1311	1315	1319	1323	1327	1331	1335	1339	1343	1347	1351	1355	1359	1363	1367	1371	1375	1379	1383	1387	1391	1395	1399	1403	1407	1411	1415	1419	1423	1427	1431	1435	1439	1443	1447	1451	1455	1459	1463	1467	1471	1475	1479	1483	1487	1491	1495	1499	1503	1507	1511	1515	1519	1523	1527	1531	1535	1539	1543	1547	1551	1555	1559	1563	1567	1571	1575	1579	1583	1587	1591	1595	1599	1603	1607	1611	1615	1619	1623	1627	1631	1635	1639	1643	1647	1651	1655	1659	1663	1667	1671	1675	1679	1683	1687	1691	1695	1699	1703	1707	1711	1715	1719	1723	1727	1731	1735	1739	1743	1747	1751	1755	1759	1763	1767	1771	1775	1779	1783	1787	1791	1795	1799	1803	1807	1811	1815	1819	1823	1827	1831	1835	1839	1843	1847	1851	1855	1859	1863	1867	1871	1875	1879	1883	1887	1891	1895	1899	1903	1907	1911	1915	1919	1923	1927	1931	1935	1939	1943	1947	1951	1955	1959	1963	1967	1971	1975	1979	1983	1987	1991	1995	1999	2003	2007	2011	2015	2019	2023	2027	2031	2035	2039	2043	2047	2051	2055	2059	2063	2067	2071	2075	2079	2083	2087	2091	2095	2099	2103	2107	2111	2115	2119	2123	2127	2131	2135	2139	2143	2147	2151	2155	2159	2163	2167	2171	2175	2179	2183	2187	2191	2195	2199	2203	2207	2211	2215	2219	2223	2227	2231	2235	2239	2243	2247	2251	2255	2259	2263	2267	2271	2275	2279	2283	2287	2291	2295	2299	2303	2307	2311	2315	2319	2323	2327	2331	2335	2339	2343	2347	2351	2355	2359	2363	2367	2371	2375	2379	2383	2387	2391	2395	2399	2403	2407	2411	2415	2419	2423	2427	2431	2435	2439	2443	2447	2451	2455	2459	2463	2467	2471	2475	2479	2483	2487	2491	2495	2499	2503	2507	2511	2515	2519	2523	2527	2531	2535	2539	2543	2547	2551	2555	2559	2563	2567	2571	2575	2579	2583	2587	2591	2595	2599	2603	2607	2611	2615	2619	2623	2627	2631	2635	2639	2643	2647	2651	2655	2659	2663	2667	2671	2675	2679	2683	2687	2691	2695	2699	2703	2707	2711	2715	2719	2723	2727	2731	2735	2739	2743	2747	2751	2755	2759	2763	2767	2771	2775	2779	2783	2787	2791	2795	2799	2803	2807	2811	2815	2819	2823	2827	2831	2835	2839	2843	2847	2851	2855	2859	2863	2867	2871	2875	2879	2883	2887	2891	2895	2899	2903	2907	2911	2915	2919	2923	2927	2931	2935	2939	2943	2947	2951	2955	2959	2963	2967	2971	2975	2979	2983	2987	2991	2995	2999	3003	3007	3011	3015	3019	3023	3027	3031	3035	3039	3043	3047	3051	3055	3059	3063	3067	3071	3075	3079	3083	3087	3091	3095	3099	3103	3107	3111	3115	3119	3123	3127	3131	3135	3139	3143	3147	3151	3155	3159	3163	3167	3171	3175	3179	3183	3187	3191	3195	3199	3203	3207	3211	3215	3219	3223	3227	3231	3235	3239	3243	3247	3251	3255	3259	3263	3267	3271	3275	3279	3283	3287	3291	3295	3299	3303	3307	3311	3315	3319	3323	3327	3331	3335	3339	3343	3347	3351	3355	3359	3363	3367	3371	3375	3379	3383	3387	3391	3395	3399	3403	3407	3411	3415	3419	3423	3427	3431	3435	3439	3443	3447	3451	3455	3459	3463	3467	3471	3475	3479	3483	3487	3491	3495	3499	3503	3507	3511	3515	3519	3523	3527	3531	3535	3539	3543	3547	3551	3555	3559	3563	3567	3571	3575	3579	3583	3587	3591	3595	3599	3603	3607	3611	3615	3619	3623	3627	3631	3635	3639	3643	3647	3651	3655	3659	3663	3667	3671	3675	3679	3683	3687	3691	3695	3699	3703	3707	3711	3715	3719	3723	3727	3731	3735	3739	3743	3747	3751	3755	3759	3763	3767	3771	3775	3779	3783	3787	3791	3795	3799	3803	3807	3811	3815	3819	3823	3827	3831	3835	3839	3843	3847	3851	3855	3859	3863	3867	3871	3875	3879	3883	3887	3891	3895	3899	3903	3907	3911	3915	3919	3923	3927	3931	3935	3939	3943	3947	3951	3955	3959	3963	3967	3971	3975	3979	3983	3987	3991	3995	3999	4003	4007	4011	4015	4019	4023	4027	4031	4035	4039	4043	4047	4051	4055	4059	4063	4067	4071	4075	4079	4083	4087	4091	4095	4099	4103	4107	4111	4115	4119	4123	4127	4131	4135	4139	4143	4147	4151	4155	4159	4163	4167	4171	4175	4179	4183	4187	4191	4195	4199	4203	4207	4211	4215	4219	4223	4227	4231	4235	4239	4243	4247	4251	4255	4259	4263	4267	4271	4275	4279	4283	4287	4291	4295	4299	4303	4307	4311	4315	4319	4323	4327	4331	4335	4339	4343	4347	4351	4355	4359	4363	4367	4371	4375	4379	4383	4387	4391	4395	4399	4403	4407	4411	4415	4419	4423	4427	4431	4435	4439	4443	4447	4451	4455	4459	4463	4467	4471	4475	4479	4483	4487	4491	4495	4499	4503	4507	4511	4515	4519	4523	4527	4531	4535	4539	4543	4547	4551	4555	4559	4563	4567	4571	4575	4579	4583	4587	4591	4595	4599	4603	4607	4611	4615	4619	4623	4627	4631	4635	4639	4643	4647	4651	4655	4659	4663	4667	4671	4675	4679	4683	4687	4691	4695	4699	4703	4707	4711	4715	4719	4723	4727	4731	4735	4739	4743	4747	4751	4755	4759	4763	4767	4771	4775	4779	4783	4787	4791	4795	4799	4803	4807	4811	4815	4819	4823	4827	4831	4835	4839	4843	4847	4851	4855	4859	4863	4867	4871	4875	4879	4883	4887	4891	4895	4899	4903	4907	4911	4915	4919	4923	4927	4931	4935	4939	4943	4947	4951	4955	4959	4963	4967	4971	4975	4979	4983	4987	4991	4995	4999	5003	5007	5011	5015	5019	5023	5027	5031	5035	5039	5043	5047	5051	5055	5059	5063	5067	5071	5075	5079	5083	5087	5091	5095	5099	5103	5107	5111	5115	5119	5123	5127	5131	5135	5139	5143	5147	5151	5155	5159	5163	5167	5171	5175	5179	5183	5187	5191	5195	5199	5203	5207	5211	5215	5219	5223	5227	5231	5235	5239	5243	5247	5251	5255	5259	5263	5267	5271	5275	5279	5283	5287	5291	5295	5299	5303	5307	5311	5315	5319	5323	5327	5331	5335	5339	5343	5347	5351	5355	5359	5363	5367	5371	5375	5379	5383	5387	5391	5395	5399	5403	5407	5411	5415	5419	5423	5427	5431	5435	5439	5443	5447	5451	5455	5459	5463	5467	5471	5475	5479	5483	5487	5491	5495	5499	5503	5507	5511	5515	5519	5523	5527	5531	5535	5539

IDB		OUTDOOR AMBIENT TEMPERATURE												ENTERING INDOOR WET BULB TEMPERATURE																																																																																																																																																																			
		65						75						85						95						105						115																																																																																																																																																	
		59	63	67	71	75	79	59	63	67	71	75	79	59	63	67	71	75	79	59	63	67	71	75	79	59	63	67	71	75	79	59	63	67	71	75	79																																																																																																																																												
725	MBh	22.8	23.3	24.9	26.7	22.3	22.8	24.4	26.0	21.8	22.3	23.8	25.4	21.3	21.7	23.2	24.8	20.2	20.6	22.0	23.6	18.7	19.1	20.4	21.8	S/T	0.88	0.82	0.67	0.5	0.91	0.85	0.69	0.52	0.93	0.87	0.71	0.5	0.96	0.90	0.73	0.55	1.00	0.94	0.76	0.6	1.01	0.94	0.77	0.57	ΔT	25	24	21	17	26	25	21	17	26	25	21	17	26	25	22	17	26	24	21	17	24	23	20	16	kW	1.28	1.31	1.36	1.4	1.39	1.42	1.47	1.53	1.49	1.52	1.58	1.6	1.57	1.61	1.67	1.73	1.65	1.69	1.75	1.8	1.71	1.75	1.81	1.88	Amps	5.6	5.7	5.9	6.1	6.0	6.2	6.4	6.6	6.5	6.7	6.9	7.1	7.0	7.1	7.4	7.6	7.4	7.6	7.8	8.1	7.8	8.0	8.3	8.6	HI PR	221	238	251	262	248	267	282	294	282	304	321	334	321	346	365	381	362	389	411	429	399	430	454	473	LO PR	108	115	126	134	114	122	133	142	119	126	138	147	125	133	145	154	131	139	152	162	135	144	157	167		
80	MBh	23.2	23.7	25.3	27.1	22.6	23.1	24.7	26.4	22.1	22.6	24.1	25.8	21.6	22.0	23.5	25.2	20.5	20.9	22.4	23.9	19.0	19.4	20.7	22.2	S/T	0.92	0.86	0.70	0.5	0.95	0.89	0.72	0.54	0.97	0.91	0.74	0.6	1.00	0.94	0.77	0.57	1.00	0.98	0.80	0.6	1.00	0.99	0.80	0.60	ΔT	24	23	20	16	25	24	21	16	25	24	21	16	25	24	21	17	24	24	20	16	22	22	19	15	kW	1.29	1.32	1.37	1.4	1.40	1.43	1.48	1.54	1.50	1.53	1.59	1.6	1.58	1.62	1.68	1.74	1.66	1.70	1.76	1.8	1.72	1.76	1.82	1.89	Amps	5.6	5.8	5.9	6.1	6.1	6.2	6.4	6.6	6.6	6.7	6.9	7.2	7.0	7.2	7.4	7.7	7.4	7.6	7.9	8.1	7.9	8.1	8.3	8.6	HI PR	223	240	253	264	250	269	284	296	284	306	323	337	324	348	368	384	364	392	414	432	402	433	457	477	LO PR	109	116	127	135	115	123	134	142	120	127	139	148	126	134	146	156	132	140	153	163	136	145	158	169		
	MBh	23.6	24.2	25.8	27.6	23.1	23.6	25.2	27.0	22.5	23.0	24.6	26.3	22.0	22.5	24.0	25.7	20.9	21.4	22.8	24.4	19.4	19.8	21.1	22.6	S/T	0.93	0.87	0.71	0.5	0.97	0.91	0.74	0.55	1.00	0.93	0.76	0.6	1.00	0.96	0.78	0.58	1.00	1.00	0.81	0.6	1.00	1.00	0.82	0.61	ΔT	23	22	19	15	23	22	19	15	23	22	19	15	22	22	19	15	21	22	19	15	20	20	18	14	kW	1.30	1.33	1.38	1.4	1.42	1.45	1.50	1.55	1.51	1.55	1.61	1.7	1.60	1.64	1.70	1.76	1.68	1.72	1.78	1.8	1.74	1.78	1.85	1.91	Amps	5.7	5.8	6.0	6.2	6.1	6.3	6.5	6.7	6.6	6.8	7.0	7.3	7.1	7.2	7.5	7.8	7.5	7.7	7.9	8.2	8.0	8.1	8.4	8.7	HI PR	226	243	256	267	253	272	288	300	288	310	327	341	328	353	373	389	369	397	419	437	407	438	463	483	LO PR	110	117	128	137	117	124	136	144	121	129	141	150	127	136	148	158	134	142	155	165	138	147	160	171		
	85	MBh	23.2	23.7	24.8	26.5	22.7	23.1	24.2	25.9	22.2	22.6	23.7	25.2	21.6	22.0	23.1	24.6	20.5	20.9	21.9	23.4	19.0	19.4	20.3	21.7	S/T	0.92	0.89	0.80	0.65	0.95	0.92	0.83	0.67	0.98	0.94	0.85	0.69	1.00	0.97	0.88	0.71	1.00	1.00	0.91	0.74	1.00	1.00	0.92	0.75	ΔT	27	27	25	22	27	27	26	22	27	27	26	22	27	27	26	22	22	26	27	25	22	24	25	24	20	kW	1.29	1.32	1.37	1.42	1.40	1.44	1.49	1.54	1.50	1.54	1.59	1.65	1.59	1.63	1.68	1.74	1.66	1.70	1.76	1.83	1.72	1.77	1.83	1.90	Amps	5.6	5.8	6.0	6.2	6.1	6.2	6.4	6.6	6.6	6.7	7.0	7.2	7.0	7.2	7.4	7.7	7.5	7.6	7.9	8.2	7.9	8.1	8.3	8.6	HI PR	223	240	254	265	251	270	285	297	285	307	324	338	325	349	369	385	365	393	415	433	403	434	458	478	LO PR	109	116	127	135	116	123	134	143	120	128	139	149	126	134	147	156	132	141	154	164	137	145	159	169
		MBh	23.6	24.0	25.2	26.9	23.0	23.5	24.6	26.2	22.5	22.9	24.0	25.6	21.9	22.4	23.4	25.0	20.8	21.3	22.3	23.7	19.3	19.7	20.6	22.0	S/T	0.96	0.93	0.84	0.68	0.99	0.96	0.87	0.70	1.00	0.98	0.89	0.72	1.00	1.00	0.92	0.74	1.00	1.00	0.95	0.77	1.00	1.00	0.96	0.78	ΔT	26	26	24	21	26	26	24	21	26	26	25	21	25	26	25	21	24	24	24	21	22	23	23	20	kW	1.30	1.33	1.38	1.43	1.41	1.45	1.50	1.55	1.51	1.55	1.60	1.66	1.60	1.64	1.69	1.76	1.67	1.71	1.77	1.84	1.73	1.78	1.84	1.91	Amps	5.7	5.8	6.0	6.2	6.1	6.3	6.5	6.7	6.6	6.8	7.0	7.2	7.1	7.2	7.5	7.7	7.5	7.7	7.9	8.2	7.9	8.1	8.4	8.7	HI PR	225	242	256	267	252	272	287	299	287	309	326	340	327	352	371	387	368	396	418	436	406	437	462	482	LO PR	110	117	128	136	116	124	135	144	121	129	140	150	127	135	148	157	133	142	155	165	138	146	160	170	
		MBh	24.1	24.5	25.7	27.4	23.5	24.0	25.1	26.8	22.9	23.4	24.5	26.1	22.4	22.8	23.9	25.5	21.3	21.7	22.7	24.2	19.7	20.1	21.0	22.4	S/T	0.98	0.94	0.85	0.69	1.00	0.98	0.88	0.72	1.00	1.00	0.90	0.73	1.00	1.00	0.93	0.76	1.00	1.00	0.97	0.79	1.00	1.00	0.98	0.79	ΔT	24	24	22	19	24	24	23	20	23	24	23	20	23	23	23	20	22	22	22	19	20	21	21	18	kW	1.32	1.35	1.39	1.44	1.43	1.46	1.51	1.57	1.53	1.56	1.62	1.68	1.62	1.65	1.71	1.78	1.69	1.73	1.79	1.86	1.75	1.80	1.86	1.93	Amps	5.7	5.9	6.1	6.3	6.2	6.3	6.5	6.8	6.7	6.9	7.1	7.3	7.1	7.3	7.5	7.8	7.6	7.8	8.0	8.3	8.0	8.2	8.5	8.8	HI PR	228	245	259	270	256	275	290	303	291	313	330	345	331	356	376	392	372	401	423	441	412	443	468	488	LO PR	112	119	130	138	118	125	137	146	122	130	142	152	129	137	149	159	135	143	157	167	139	148	162	173	

IDB: Entering Indoor Dry Bulb Temperature
 High and low pressures are measured at the liquid and suction service valves.
 Shaded area reflects AHRI conditions
 kW = Total system power
 Amps = outdoor unit amps (comp.+fan)

		OUTDOOR AMBIENT TEMPERATURE										ENTERING INDOOR WET BULB TEMPERATURE																											
		65					75					85					95					105					115												
IDB	AIRFLOW	59	63	67	71	75	59	63	67	71	75	59	63	67	71	75	59	63	67	71	75	59	63	67	71	75	59	63	67	71	75	59	63	67	71	75			
70	MBh	24.5	24.9	25.6	26.0	26.4	24.3	24.7	25.4	25.8	26.2	23.7	24.0	24.7	25.2	25.6	22.6	22.9	23.7	24.1	24.5	24.9	21.3	21.6	22.3	22.8	23.2	23.5	24.1	24.5	25.0	20.1	20.4	21.1	21.6	22.1			
	S/T	0.63	0.56	0.43	0.46	0.47	0.63	0.56	0.43	0.46	0.47	0.66	0.59	0.46	0.49	0.51	0.68	0.60	0.48	0.51	0.51	0.51	1.00	0.62	0.50	0.53	0.54	0.54	0.54	1.00	0.71	0.58	0.58	0.58	0.58				
	ΔT	20	18	15	14	13	20	18	15	14	13	21	19	15	14	13	20	18	15	14	13	13	19	17	13	13	13	13	13	20	18	14	14	14	14				
	KW	1.41	1.40	1.40	1.41	1.41	1.57	1.57	1.57	1.57	1.57	1.75	1.75	1.75	1.76	1.76	1.96	1.95	1.95	1.95	1.96	1.96	2.17	2.17	2.17	2.18	2.18	2.18	2.44	2.44	2.44	2.43	2.43	2.43	2.43	2.43			
	Amps	5.3	5.3	5.2	5.2	5.3	6.0	6.0	6.0	6.0	6.0	6.9	6.9	6.9	6.9	6.9	7.8	7.8	7.8	7.7	7.7	7.7	8.8	8.8	8.8	8.8	8.8	8.8	10.0	10.0	10.0	10.0	10.0	10.0	10.0	10.0			
800	HI PR	253	254	256	256	258	293	294	296	296	299	334	335	337	339	342	379	380	382	382	382	382	427	428	430	430	430	430	478	480	481	481	481	481	481	481	481		
	LO PR	121	123	126	126	128	128	130	133	133	135	135	136	139	141	144	142	142	145	145	145	145	145	147	150	150	150	152	153	156	156	156	156	156	156	156	156		
	MBh	25.0	25.3	26.0	26.0	26.4	24.8	25.1	25.8	26.2	26.6	24.1	24.5	25.2	25.7	26.1	23.0	23.4	24.1	24.5	24.9	25.3	21.7	22.1	22.8	23.3	23.7	24.1	24.5	25.0	20.5	20.8	21.6	22.1	22.6	23.1			
	S/T	0.66	0.59	0.46	0.46	0.47	0.67	0.60	0.47	0.47	0.47	0.69	0.62	0.49	0.49	0.51	0.71	0.64	0.51	0.51	0.51	0.51	1.00	0.66	0.53	0.53	0.54	0.54	0.54	1.00	0.71	0.58	0.58	0.58	0.58	0.58			
	ΔT	19	17	14	14	13	19	17	13	13	13	19	17	14	14	13	19	17	13	13	13	13	19	17	13	13	13	13	20	18	14	14	14	14	14	14	14		
900	KW	1.41	1.41	1.41	1.41	1.41	1.58	1.58	1.57	1.57	1.57	1.76	1.76	1.76	1.76	1.76	1.96	1.96	1.96	1.96	1.96	2.19	2.19	2.19	2.19	2.19	2.19	2.45	2.45	2.45	2.45	2.45	2.45	2.45	2.45	2.45	2.45		
	Amps	5.3	5.3	5.3	5.3	5.3	6.1	6.1	6.1	6.1	6.1	6.9	6.9	6.9	6.9	6.9	7.8	7.8	7.8	7.8	7.8	8.8	8.8	8.8	8.8	8.8	8.8	10.0	10.0	10.0	10.0	10.0	10.0	10.0	10.0	10.0	10.0		
	HI PR	255	257	258	258	258	295	296	298	298	299	337	338	339	342	342	381	382	384	384	384	384	429	430	432	432	432	432	481	482	484	484	484	484	484	484	484	484	
	LO PR	123	125	128	128	131	131	132	135	135	138	137	138	141	144	144	142	144	147	147	147	147	148	149	152	152	152	154	156	159	159	159	159	159	159	159	159	159	
	MBh	25.5	25.9	26.6	26.6	26.6	25.3	25.6	26.4	26.4	26.4	24.7	25.0	25.7	25.7	25.7	23.6	23.9	24.6	25.0	25.4	25.8	22.3	22.6	23.3	23.3	23.3	23.3	21.0	21.4	22.1	22.1	22.1	22.1	22.1	22.1	22.1	22.1	
75	MBh	24.5	24.9	25.6	26.7	27.2	24.3	24.7	25.4	26.4	26.9	23.7	24.0	24.8	25.2	25.6	22.6	23.0	23.7	24.1	24.5	24.9	21.3	21.6	22.3	23.4	23.9	24.1	20.5	20.9	21.6	22.2	22.7	23.2	23.7	24.2	24.7	25.2	
	S/T	0.75	0.68	0.55	0.42	0.45	0.76	0.68	0.56	0.42	0.46	1.00	0.71	0.58	0.44	0.48	1.00	0.73	0.60	0.46	0.50	1.00	0.78	0.65	0.52	0.52	0.52	1.00	1.00	0.70	0.57	0.57	0.57	0.57	0.57	0.57	0.57		
	ΔT	25	23	19	15	15	25	23	19	15	15	25	23	19	15	15	25	23	19	15	15	15	24	22	19	15	15	26	24	20	16	16	16	16	16	16	16	16	
	KW	1.40	1.40	1.40	1.41	1.41	1.57	1.57	1.56	1.58	1.58	1.75	1.75	1.75	1.76	1.76	1.95	1.95	1.95	1.96	1.96	2.19	2.19	2.19	2.19	2.19	2.19	2.43	2.43	2.43	2.44	2.44	2.44	2.44	2.44	2.44	2.44	2.44	
	Amps	5.3	5.2	5.2	5.3	5.3	6.0	6.0	6.0	6.0	6.0	6.8	6.8	6.8	6.9	6.9	7.8	7.8	7.7	7.8	7.8	7.8	8.8	8.8	8.8	8.8	8.8	10.0	10.0	10.0	10.0	10.0	10.0	10.0	10.0	10.0	10.0	10.0	
800	HI PR	253	254	256	261	263	293	294	296	300	300	334	335	337	342	342	379	380	382	386	386	386	427	428	430	434	434	479	480	481	486	486	486	486	486	486	486	486	
	LO PR	121	123	126	131	131	128	130	133	138	138	135	136	139	144	144	140	142	145	150	150	150	145	147	150	155	155	152	153	157	162	162	162	162	162	162	162	162	
	MBh	25.0	25.3	26.1	27.2	27.2	24.8	25.1	25.8	26.9	26.9	24.1	24.5	25.2	26.3	26.3	23.1	23.4	24.1	25.2	25.2	25.2	21.7	22.1	22.8	23.9	24.4	20.5	20.9	21.6	22.7	23.2	23.7	24.2	24.7	25.2	25.7		
	S/T	0.78	0.71	0.58	0.45	0.45	0.79	0.72	0.59	0.46	0.46	1.00	0.74	0.61	0.48	0.48	1.00	0.76	0.63	0.50	0.50	1.00	0.78	0.65	0.52	0.52	0.52	1.00	1.00	0.70	0.57	0.57	0.57	0.57	0.57	0.57	0.57		
	ΔT	24	22	18	14	14	24	22	18	14	14	24	22	18	14	14	24	22	18	14	14	14	23	21	18	14	14	25	23	19	15	15	15	15	15	15	15	15	
900	KW	1.41	1.41	1.41	1.42	1.43	1.58	1.58	1.57	1.59	1.59	1.76	1.76	1.76	1.77	1.77	1.96	1.96	1.96	1.97	1.97	2.19	2.19	2.19	2.19	2.19	2.44	2.44	2.44	2.45	2.45	2.45	2.45	2.45	2.45	2.45	2.45	2.45	
	Amps	5.3	5.3	5.3	5.3	5.4	6.1	6.1	6.1	6.1	6.1	6.9	6.9	6.9	6.9	6.9	7.8	7.8	7.8	7.8	7.8	8.8	8.8	8.8	8.8	8.8	10.0	10.0	10.0	10.0	10.0	10.0	10.0	10.0	10.0	10.0	10.0	10.0	
	HI PR	256	257	259	263	263	295	296	298	303	303	337	338	340	344	344	381	383	384	389	389	389	430	431	432	437	437	481	482	484	488	488	488	488	488	488	488	488	488
	LO PR	123	125	128	133	133	131	132	135	140	140	137	138	141	147	147	142	144	147	152	152	152	148	149	152	157	157	154	156	159	164	164	164	164	164	164	164	164	164
	MBh	25.5	25.9	26.6	27.7	27.7	25.3	25.7	26.4	27.5	27.5	24.7	25.0	25.8	26.9	26.9	23.6	23.9	24.7	25.8	25.8	25.8	22.3	22.6	23.3	24.4	24.9	21.1	21.4	22.1	23.2	23.7	24.2	24.7	25.2	25.7	26.2	26.7	
70	MBh	24.5	24.9	25.6	26.7	27.2	24.3	24.7	25.4	26.4	26.9	23.7	24.0	24.8	25.2	25.6	22.6	23.0	23.7	24.1	24.5	24.9	21.3	21.6	22.3	23.4	23.9	24.1	20.5	20.9	21.6	22.2	22.7	23.2	23.7	24.2	24.7	25.2	
	S/T	0.75	0.68	0.55	0.42	0.45	0.76	0.68	0.56	0.42	0.46	1.00	0.71	0.58	0.44	0.48	1.00	0.73	0.60	0.46	0.50	1.00	0.78	0.65	0.52	0.52	0.52	1.00	1.00	0.70	0.57	0.57	0.57	0.57	0.57	0.57	0.57		
	ΔT	25	23	19	15	15	25	23	19	15	15	25	23	19	15	15	25	23	19	15	15	15	24	22	19	15	15	26	24	20	16	16	16	16	16	16	16	16	
	KW	1.40	1.40	1.40	1.41	1.41	1.57	1.57	1.56	1.58	1.58	1.75	1.75	1.75	1.76	1.76	1.95	1.95	1.95	1.96	1.96	2.19	2.19	2.19	2.19	2.19	2.43	2.43	2.43	2.44	2.44	2.44	2.44	2.44	2.44	2.44	2.44	2.44	2.44
	Amps	5.3	5.2	5.2	5.3	5.3	6.0	6.0	6.0	6.0	6.0	6.8	6.8	6.8	6.9	6.9	7.8	7.8	7.7	7.8	7.8	7.8	8.8	8.8	8.8	8.8	8.8	10.0	10.0	10.0	10.0	10.0	10.0	10.0	10.0	10.0	10.0	10.0	10.0

IDB: Entering Indoor Dry Bulb Temperature
 High and low pressures are measured at the liquid and suction service valves.
 Shaded area reflects ACCA (TVA) conditions
 kW = Total system power
 Amps = outdoor unit amps (comp.+fan)

IDB		OUTDOOR AMBIENT TEMPERATURE												ENTERING INDOOR WET BULB TEMPERATURE											
		65				75				85				95				105				115			
		59	63	67	71	59	63	67	71	59	63	67	71	59	63	67	71	59	63	67	71	59	63	67	71
700	MBh	24.7	25.0	25.7	26.8	24.5	24.8	25.5	26.6	23.8	24.2	24.9	26.0	22.7	23.1	23.8	24.9	21.4	21.7	22.5	23.6	20.2	20.5	21.3	22.4
	S/T	0.87	0.80	0.67	0.5	1.00	0.80	0.67	0.54	1.00	0.83	0.70	0.6	1.00	0.84	0.72	0.58	1.00	1.00	0.74	0.6	1.00	1.00	0.79	0.65
	ΔT	29	27	23	20	29	27	23	20	29	27	24	20	29	27	23	20	29	27	23	19	30	28	24	21
	KW	1.41	1.40	1.40	1.4	1.57	1.57	1.57	1.58	1.75	1.75	1.75	1.8	1.95	1.95	1.95	1.96	2.17	2.17	2.17	2.2	2.43	2.43	2.43	2.44
	Amps	5.3	5.3	5.2	5.3	6.0	6.0	6.0	6.1	6.9	6.8	6.8	6.9	7.8	7.8	7.7	7.8	8.8	8.8	8.8	8.8	10.0	10.0	10.0	10.0
800	HI PR	254	255	257	261	293	294	296	301	335	336	338	342	380	381	382	387	428	429	431	435	479	480	482	486
	LO PR	122	123	126	131	129	130	133	139	135	137	140	145	141	142	145	150	146	147	150	156	153	154	157	162
	MBh	25.1	25.5	26.2	27.3	24.9	25.2	26.0	27.1	24.3	24.6	25.3	26.4	23.2	23.5	24.2	25.3	21.8	22.2	22.9	24.0	20.6	21.0	21.7	22.8
	S/T	1.00	0.83	0.70	0.6	1.00	0.84	0.71	0.57	1.00	0.86	0.73	0.6	1.00	0.88	0.75	0.62	1.00	1.00	0.77	0.6	1.00	1.00	0.82	0.69
	ΔT	28	26	22	18	28	26	22	18	28	26	23	19	28	26	22	18	28	26	22	18	29	27	23	19
900	KW	1.41	1.41	1.41	1.4	1.58	1.58	1.57	1.59	1.76	1.76	1.76	1.8	1.96	1.96	1.96	1.97	2.18	2.18	2.18	2.2	2.44	2.44	2.44	2.45
	Amps	5.3	5.3	5.3	5.3	6.0	6.0	6.0	6.1	6.9	6.9	6.9	6.9	7.8	7.8	7.8	7.8	8.8	8.8	8.8	8.9	10.0	10.0	10.0	10.0
	HI PR	256	257	259	263	296	297	299	303	337	338	340	344	382	383	385	389	430	431	433	437	481	483	484	489
	LO PR	124	125	128	133	131	133	136	141	138	139	142	147	143	144	147	152	148	150	153	158	155	156	159	164
	MBh	25.7	26.0	26.7	27.8	25.4	25.8	26.5	27.6	24.8	25.2	25.9	27.0	23.7	24.1	24.8	25.9	22.4	22.7	23.5	24.6	21.2	21.5	22.2	23.3

IDB		OUTDOOR AMBIENT TEMPERATURE												ENTERING INDOOR WET BULB TEMPERATURE											
		65				75				85				95				105				115			
		59	63	67	71	59	63	67	71	59	63	67	71	59	63	67	71	59	63	67	71	59	63	67	71
700	MBh	25.1	25.4	26.1	27.2	24.9	25.2	25.9	27.0	24.2	24.6	25.3	26.4	23.1	23.5	24.2	25.3	21.8	22.2	22.9	24.0	20.6	20.9	21.7	22.8
	S/T	1.00	0.89	0.76	0.63	1.00	0.90	0.77	0.63	1.00	1.00	0.79	0.66	1.00	1.00	0.81	0.68	1.00	1.00	0.83	0.70	1.00	1.00	1.00	0.75
	ΔT	33	31	27	24	33	31	27	23	33	31	28	24	33	31	27	23	33	31	27	23	34	32	28	24
	KW	1.41	1.41	1.40	1.42	1.57	1.57	1.57	1.58	1.76	1.76	1.75	1.76	1.96	1.95	1.95	1.96	2.18	2.18	2.17	2.19	2.44	2.44	2.43	2.45
	Amps	5.3	5.3	5.3	5.3	6.0	6.0	6.0	6.1	6.9	6.9	6.8	6.9	7.8	7.8	7.8	7.8	8.8	8.8	8.8	8.8	10.0	10.0	10.0	10.0
800	HI PR	255	256	258	262	295	296	297	302	336	337	339	343	381	382	384	388	429	430	432	436	480	481	483	488
	LO PR	123	125	128	133	131	132	135	140	137	139	142	147	142	144	147	152	148	149	152	157	154	156	159	164
	MBh	25.5	25.9	26.6	27.7	25.3	25.6	26.4	27.5	24.7	25.0	25.7	26.8	23.6	23.9	24.7	25.8	22.3	22.6	23.3	24.4	21.0	21.4	22.1	23.2
	S/T	1.00	0.93	0.80	0.66	1.00	0.93	0.80	0.67	1.00	1.00	0.83	0.69	1.00	1.00	0.85	0.71	1.00	1.00	0.87	0.73	1.00	1.00	1.00	0.78
	ΔT	32	30	26	22	32	30	26	22	32	30	26	23	32	30	26	22	32	30	26	22	33	31	27	23
900	KW	1.42	1.42	1.41	1.42	1.58	1.58	1.58	1.59	1.76	1.76	1.76	1.77	1.96	1.96	1.96	1.97	2.19	2.18	2.18	2.19	2.45	2.44	2.44	2.45
	Amps	5.3	5.3	5.3	5.3	6.1	6.1	6.0	6.1	6.9	6.9	6.9	6.9	7.8	7.8	7.8	7.9	8.8	8.8	8.8	8.9	10.0	10.0	10.0	10.1
	HI PR	257	258	260	265	297	298	300	304	338	339	341	346	383	384	386	390	431	432	434	438	483	484	485	490
	LO PR	126	127	130	135	133	134	137	143	139	141	144	149	145	146	149	154	150	151	154	160	157	158	161	166
	MBh	26.1	26.4	27.1	28.2	25.9	26.2	26.9	28.0	25.2	25.6	26.3	27.4	24.1	24.5	25.2	26.3	22.8	23.1	23.9	25.0	21.6	21.9	22.7	23.8

IDB: Entering Indoor Dry Bulb Temperature
 High and low pressures are measured at the liquid and suction service valves.
 Shaded area reflects AHRI conditions
 KW = Total system power
 Amps = outdoor unit amps (comp.+fan)

IDB	AIRFLOW	OUTDOOR AMBIENT TEMPERATURE												ENTERING INDOOR WET BULB TEMPERATURE											
		65				75				85				95				105				115			
		59	63	67	71	59	63	67	71	59	63	67	71	59	63	67	71	59	63	67	71	59	63	67	71
70	MBh	29.3	29.7	30.6	31.0	29.0	29.5	30.3	30.7	28.3	28.7	29.6	29.9	27.0	27.4	28.2	28.6	25.3	25.8	26.6	27.0	23.9	24.3	25.2	25.6
	S/T	0.59	0.52	0.38	-	0.60	0.52	0.39	-	0.62	0.55	0.42	-	1.00	0.57	0.43	-	1.00	0.59	0.46	-	1.00	0.64	0.51	-
	ΔT	20	18	15	-	20	18	15	-	20	18	15	-	20	18	15	-	20	18	14	-	21	19	15	-
	KW	1.76	1.75	1.75	-	1.95	1.95	1.95	-	2.17	2.17	2.17	-	2.41	2.41	2.41	-	2.68	2.68	2.67	-	2.99	2.99	2.99	-
	Amps	6.4	6.4	6.4	-	7.3	7.3	7.3	-	8.3	8.3	8.3	-	9.4	9.4	9.4	-	10.6	10.6	10.6	-	12.0	12.0	12.0	-
	HI PR	250	251	252	-	289	290	292	-	330	331	333	-	375	376	377	-	422	424	425	-	474	475	476	-
LO PR	124	125	128	-	131	133	136	-	138	139	142	-	143	145	148	-	149	150	154	-	156	157	160	-	
875	MBh	29.7	30.1	31.0	31.4	29.4	29.8	30.7	31.2	28.7	29.1	29.9	30.4	27.3	27.8	28.6	29.1	25.7	26.1	27.0	27.5	24.3	24.7	25.6	26.0
	S/T	0.65	0.58	0.44	-	0.66	0.58	0.45	-	0.68	0.61	0.47	-	1.00	0.63	0.49	-	1.00	0.65	0.51	-	1.00	0.70	0.56	-
	ΔT	19	17	13	-	19	17	13	-	19	17	14	-	19	17	13	-	18	17	13	-	20	18	14	-
	KW	1.77	1.77	1.76	-	1.96	1.96	1.96	-	2.18	2.18	2.18	-	2.42	2.42	2.42	-	2.69	2.69	2.68	-	3.00	3.00	3.00	-
	Amps	6.4	6.4	6.4	-	7.3	7.3	7.3	-	8.3	8.3	8.3	-	9.4	9.4	9.4	-	10.6	10.6	10.6	-	12.1	12.1	12.1	-
	HI PR	252	253	254	-	291	292	294	-	332	333	335	-	377	378	379	-	425	426	427	-	476	477	478	-
LO PR	125	127	130	-	133	135	138	-	140	141	144	-	145	147	150	-	151	152	155	-	157	159	162	-	
1125	MBh	30.1	30.6	31.4	31.8	29.9	30.3	31.2	31.6	29.1	29.5	30.4	30.8	27.8	28.2	29.1	29.5	26.2	26.6	27.5	27.9	24.7	25.1	26.0	26.4
	S/T	0.68	0.61	0.48	-	0.69	0.61	0.48	-	0.71	0.64	0.51	-	1.00	0.66	0.53	-	1.00	0.68	0.55	-	1.00	0.73	0.60	-
	ΔT	18	16	13	-	18	16	12	-	18	16	13	-	18	16	12	-	17	16	12	-	19	17	13	-
	KW	1.78	1.77	1.77	-	1.97	1.97	1.97	-	2.19	2.19	2.19	-	2.43	2.43	2.43	-	2.70	2.70	2.69	-	3.01	3.01	3.01	-
	Amps	6.5	6.5	6.4	-	7.4	7.4	7.3	-	8.4	8.4	8.3	-	9.5	9.5	9.4	-	10.7	10.7	10.7	-	12.1	12.1	12.1	-
	HI PR	254	255	257	-	293	294	296	-	334	335	337	-	379	380	382	-	427	428	429	-	478	479	481	-
LO PR	128	129	132	-	135	137	140	-	142	143	146	-	147	149	152	-	153	154	157	-	160	161	164	-	
75	MBh	29.7	30.1	31.0	32.3	29.4	29.9	30.7	32.1	28.3	28.7	29.6	30.9	27.0	27.4	28.3	29.6	25.4	25.8	26.7	28.0	23.9	24.3	25.2	26.5
	S/T	0.78	0.70	0.57	0.43	0.78	0.71	0.58	0.44	1.00	0.73	0.60	0.46	1.00	0.69	0.56	0.42	1.00	0.71	0.58	0.44	1.00	1.00	0.63	0.49
	ΔT	23	21	17	14	23	21	17	14	23	21	18	14	23	21	17	14	22	21	17	14	25	23	19	16
	KW	1.77	1.76	1.76	1.78	1.96	1.96	1.96	1.97	2.18	2.18	2.18	2.19	2.42	2.42	2.42	2.43	2.69	2.69	2.68	2.69	2.99	2.99	2.99	3.00
	Amps	6.4	6.4	6.4	6.5	7.3	7.3	7.3	7.4	8.3	8.3	8.3	8.4	9.4	9.4	9.4	9.5	10.6	10.6	10.6	10.6	12.0	12.0	12.0	12.1
	HI PR	250	251	253	257	289	290	292	296	330	331	333	338	375	376	378	382	423	424	425	430	474	475	477	481
LO PR	124	125	128	134	131	133	136	141	138	139	142	148	143	145	148	153	149	150	154	159	156	157	160	166	
1000	MBh	30.2	30.6	31.5	32.8	29.9	30.3	31.2	32.5	29.1	29.6	30.4	31.8	27.8	28.2	29.1	30.4	26.2	26.6	27.5	28.8	24.7	25.2	26.0	27.4
	S/T	0.81	0.73	0.60	0.46	1.00	0.74	0.61	0.47	1.00	0.77	0.63	0.49	1.00	0.78	0.65	0.51	1.00	0.81	0.67	0.53	1.00	1.00	0.72	0.58
	ΔT	22	20	17	13	22	20	17	13	22	20	17	13	22	20	16	13	21	20	16	13	23	21	17	14
	KW	1.77	1.77	1.77	1.78	1.97	1.97	1.97	1.98	2.19	2.19	2.19	2.20	2.43	2.43	2.43	2.44	2.70	2.70	2.69	2.71	3.01	3.01	3.00	3.02
	Amps	6.5	6.4	6.4	6.5	7.4	7.4	7.3	7.4	8.4	8.4	8.3	8.4	9.5	9.5	9.4	9.5	10.7	10.7	10.7	10.7	12.1	12.1	12.1	12.2
	HI PR	254	255	257	261	293	294	296	300	335	336	337	342	379	380	382	386	427	428	430	434	478	479	481	485
LO PR	128	129	132	137	135	137	140	145	142	143	146	152	147	149	152	157	153	154	157	163	160	161	164	169	

IDB: Entering Indoor Dry Bulb Temperature
 High and low pressures are measured at the liquid and suction service valves.
 Shaded area reflects ACCA (TVA) conditions
 kW = Total system power
 Amps = outdoor unit amps (comp.+fan)

IDB		OUTDOOR AMBIENT TEMPERATURE																																				
		65						75						85						95						105						115						
		AIRFLOW			59			63			67			71			59			63			67			71			59			63			67			71
ENTERING INDOOR WET BULB TEMPERATURE																																						
875	MBh	29.5	29.9	30.8	32.1	29.2	29.6	30.5	31.8	28.4	28.9	29.7	31.1	27.1	27.5	28.4	29.8	25.5	25.9	26.8	28.1	24.0	24.5	25.3	26.7	27.1	27.5	28.4	29.8	25.5	25.9	26.8	28.1	24.0	24.5	25.3	26.7	
	S/T	1.00	0.77	0.63	0.5	1.00	0.77	0.64	0.50	1.00	0.80	0.66	0.5	1.00	1.00	0.68	0.54	1.00	1.00	0.70	0.6	1.00	1.00	0.75	0.61	1.00	1.00	0.68	0.54	1.00	1.00	0.70	0.6	1.00	1.00	0.75	0.61	
	ΔT	28	26	23	19	28	26	23	19	28	26	23	19	28	26	23	19	28	26	23	19	29	27	23	20	28	26	23	19	28	26	23	19	29	27	23	20	
	KW	1.76	1.75	1.75	1.8	1.95	1.95	1.95	1.96	2.17	2.17	2.17	2.2	2.41	2.41	2.41	2.42	2.68	2.68	2.67	2.7	2.99	2.99	2.99	3.00	2.68	2.68	2.67	2.7	2.99	2.99	2.99	3.00	2.68	2.68	2.67	2.7	
	Amps	6.4	6.4	6.3	6.4	7.3	7.3	7.3	7.3	8.3	8.3	8.3	8.3	9.4	9.4	9.4	9.4	10.6	10.6	10.6	10.6	12.0	12.0	12.0	12.1	10.6	10.6	10.6	10.6	12.0	12.0	12.0	12.1	10.6	10.6	10.6	10.6	
	HI PR	250	251	253	257	290	291	292	297	331	332	334	338	375	376	378	382	423	424	426	430	474	475	477	481	375	376	378	382	423	424	426	430	474	475	477	481	
LO PR	124	126	129	134	132	133	136	142	138	140	143	148	144	145	149	154	149	151	154	159	156	158	161	166	144	145	149	154	149	151	154	159	156	158	161	166		
80	MBh	29.9	30.3	31.1	32.5	29.6	30.0	30.9	32.2	28.8	29.2	30.1	31.5	27.5	27.9	28.8	30.1	25.9	26.3	27.2	28.5	24.4	24.8	25.7	27.1	27.5	27.9	28.8	30.1	25.9	26.3	27.2	28.5	24.4	24.8	25.7	27.1	
	S/T	1.00	0.82	0.69	0.6	1.00	0.83	0.70	0.56	1.00	0.85	0.72	0.6	1.00	1.00	0.74	0.60	1.00	1.00	0.76	0.6	1.00	1.00	0.81	0.67	1.00	1.00	0.74	0.60	1.00	1.00	0.76	0.6	1.00	1.00	0.81	0.67	
	ΔT	27	25	22	18	27	25	21	18	27	25	22	18	27	25	21	18	26	25	21	18	28	26	22	19	27	25	21	18	26	25	21	18	28	26	22	19	
	KW	1.77	1.76	1.76	1.8	1.96	1.96	1.96	1.97	2.18	2.18	2.18	2.2	2.42	2.42	2.42	2.43	2.69	2.69	2.68	2.7	3.00	3.00	3.00	3.01	2.42	2.42	2.42	2.43	2.69	2.69	2.68	2.7	3.00	3.00	3.00	3.01	
	Amps	6.4	6.4	6.4	6.5	7.3	7.3	7.3	7.4	8.3	8.3	8.3	8.4	9.4	9.4	9.4	9.5	10.6	10.6	10.6	10.7	12.1	12.1	12.0	12.1	9.4	9.4	9.4	9.5	10.6	10.6	10.6	10.7	12.1	12.1	12.0	12.1	
	HI PR	252	253	255	259	292	293	295	299	333	334	336	340	377	378	380	385	425	426	428	432	476	477	479	484	377	378	380	385	425	426	428	432	476	477	479	484	
LO PR	126	128	131	136	134	135	138	144	140	142	145	150	146	147	150	156	151	153	156	161	158	160	163	168	146	147	150	156	151	153	156	161	158	160	163	168		
1125	MBh	30.3	30.7	31.6	32.9	30.1	30.5	31.3	32.7	29.3	29.7	30.6	31.9	28.0	28.4	29.3	30.6	26.4	26.8	27.7	29.0	24.9	25.3	26.2	27.5	28.0	28.4	29.3	30.6	26.4	26.8	27.7	29.0	24.9	25.3	26.2	27.5	
	S/T	1.00	0.86	0.72	0.6	1.00	0.86	0.73	0.59	1.00	0.89	0.76	0.6	1.00	1.00	0.77	0.63	1.00	1.00	0.80	0.7	1.00	1.00	0.85	0.71	1.00	1.00	0.77	0.63	1.00	1.00	0.80	0.7	1.00	1.00	0.85	0.71	
	ΔT	26	24	21	17	26	24	21	17	26	24	21	17	26	24	21	17	26	24	21	17	27	25	21	18	26	24	21	17	26	24	21	17	27	25	21	18	
	KW	1.78	1.77	1.77	1.8	1.97	1.97	1.97	1.98	2.19	2.19	2.19	2.2	2.43	2.43	2.43	2.44	2.70	2.70	2.69	2.7	3.01	3.01	3.01	3.02	2.43	2.43	2.43	2.44	2.70	2.70	2.69	2.7	3.01	3.01	3.01	3.02	
	Amps	6.5	6.5	6.4	6.5	7.4	7.4	7.4	7.4	8.4	8.4	8.3	8.4	9.5	9.5	9.4	9.5	10.7	10.7	10.7	10.7	12.1	12.1	12.1	12.2	9.5	9.5	9.4	9.5	10.7	10.7	10.7	10.7	12.1	12.1	12.1	12.2	
	HI PR	254	255	257	262	294	295	297	301	335	336	338	342	379	380	382	387	427	428	430	434	478	479	481	486	379	380	382	387	427	428	430	434	478	479	481	486	
LO PR	128	130	133	138	136	137	140	146	142	144	147	152	148	149	152	158	153	155	158	163	160	162	165	170	148	149	152	158	153	155	158	163	160	162	165	170		

IDB		OUTDOOR AMBIENT TEMPERATURE																																				
		65						75						85						95						105						115						
		AIRFLOW			59			63			67			71			59			63			67			71			59			63			67			71
ENTERING INDOOR WET BULB TEMPERATURE																																						
875	MBh	30.0	30.4	31.3	32.6	29.7	30.1	31.0	32.3	28.9	29.3	30.2	31.6	27.6	28.0	28.9	30.2	26.0	26.4	27.3	28.6	24.5	25.0	25.8	27.2	27.6	28.0	28.9	30.2	26.0	26.4	27.3	28.6	24.5	25.0	25.8	27.2	
	S/T	1.00	0.86	0.73	0.59	1.00	0.87	0.74	0.60	1.00	1.00	0.76	0.62	1.00	1.00	0.78	0.64	1.00	1.00	0.80	0.66	1.00	1.00	0.70	0.71	1.00	1.00	0.78	0.64	1.00	1.00	0.80	0.66	1.00	1.00	0.70	0.71	
	ΔT	31	30	26	23	31	30	26	23	32	30	26	23	31	30	26	23	31	29	26	22	32	30	27	24	31	30	26	23	31	29	26	22	32	30	27	24	
	KW	1.76	1.76	1.76	1.77	1.96	1.96	1.95	1.97	2.18	2.18	2.17	2.19	2.42	2.42	2.41	2.41	2.68	2.68	2.68	2.69	3.00	2.99	2.99	3.01	2.42	2.41	2.41	2.43	2.68	2.68	2.68	2.69	3.00	2.99	2.99	3.01	
	Amps	6.4	6.4	6.4	6.4	7.3	7.3	7.3	7.3	8.3	8.3	8.3	8.3	9.4	9.4	9.4	9.4	10.6	10.6	10.6	10.7	12.0	12.0	12.0	12.1	9.4	9.4	9.4	9.4	10.6	10.6	10.6	10.7	12.0	12.0	12.0	12.1	
	HI PR	251	252	254	259	291	292	294	298	332	333	335	339	376	377	379	384	424	425	427	431	475	476	478	483	376	377	379	384	424	425	427	431	475	476	478	483	
LO PR	126	128	131	136	134	135	138	144	140	142	145	150	146	147	150	156	151	153	156	161	158	160	163	168	146	147	150	156	151	153	156	161	158	160	163	168		
1000	MBh	30.0	31.0	32.0	33.0	30.0	30.0	31.0	33.0	29.0	30.0	31.0	32.0	28.0	28.0	29.0	31.0	26.0	27.0	28.0	29.0	25.0	25.0	26.0	28.0	28.0	28.0	29.0	31.0	26.0	27.0	28.0	29.0	25.0	25.0	26.0	28.0	
	S/T	1.00	0.92	0.79	0.65	1.00	1.00	0.80	0.66	1.00	1.00	0.82	0.68	1.00	1.00	0.84	0.70	1.00	1.00	0.86	0.72	1.00	1.00	0.77	1.00	1.00	0.84	0.70	1.00	1.00	0.86	0.72	1.00	1.00	0.77			
	ΔT	30	29	25	22	30	29	25	22	31	29	25	22	30	28	25	22	30	28	25	21	31	29	26	22	30	28	25	22	30	28	25	21	31	29	26	22	
	KW	1.77	1.77	1.77	1.78	1.97	1.97	1.96	1.98	2.19	2.19	2.18	2.20	2.43	2.42	2.42	2.44	2.69	2.69	2.69	2.70	3.01	3.00	3.00	3.02	2.43	2.42	2.42	2.44	2.69	2.69	2.69	2.70	3.01	3.00	3.00	3.02	
	Amps	6.4	6.4	6.4	6.5	7.3	7.3	7.3	7.4	8.3	8.3	8.3	8.4	9.4	9.4	9.4	9.5	10.7	10.7	10.6	10.7	12.1	12.1	12.1	12.1	9.4	9.4	9.4	9.5	10.7	10.7	10.6	10.7	12.1	12.1	12.1	12.1	
	HI PR	253	255	256	261	293	294	296	300	334	335	337	341	379	380	381	386	426	427	429	434	477	479	480	485	379	380	381	386	426	427	429	434	477	479	480	485	
LO PR	128	129	133	138	135	137	140	145	142	144	147	152	148	149	152	158	153	155	158	163	160	161	165	170	148	149	152	158	153	155	158	163	160	161	165	170		
1125	MBh	31.0	31.0	32.0	33.0	31.0	31.0	32.0	33.0	30.0	30.0	31.0	32.0	28.0	29.0	30.0	31.0	27.0	27.0	28.0	29.0	25.0	26.0	27.0	28.0	28.0	29.0	30.0	31.0	27.0	27.0	28.0	29.0	25.0	26.0	27.0	28.0	
	S/T	1.00	0.96	0.82	0.68	1.00	1.00	0.83	0.69	1.00	1.00	0.85	0.71	1.00																								

IDB		OUTDOOR AMBIENT TEMPERATURE															ENTERING INDOOR WET BULB TEMPERATURE																
		65					75					85					95					105					115						
		59	63	67	71		59	63	67	71		59	63	67	71		59	63	67	71		59	63	67	71		59	63	67	71			
70	MBh	29.1	29.5	30.4	-	28.8	29.2	30.1	-	28.1	28.5	29.4	-	26.8	27.2	28.0	-	25.2	25.6	26.5	-	23.7	24.1	25.0	-	23.7	24.1	25.0	-	23.7	24.1	25.0	-
	S/T	0.63	0.55	0.41	-	0.63	0.56	0.42	-	0.66	0.58	0.44	-	0.68	0.60	0.46	-	1.00	0.62	0.48	-	1.00	0.68	0.54	-	1.00	0.68	0.54	-	1.00	0.68	0.54	-
	ΔT	20	18	15	-	20	18	15	-	20	19	15	-	20	18	15	-	20	18	15	-	21	19	16	-	21	19	16	-	21	19	16	-
	KW	1.72	1.72	1.72	-	1.91	1.91	1.91	-	2.13	2.12	2.12	-	2.36	2.35	2.35	-	2.61	2.61	2.61	-	2.92	2.92	2.91	-	2.92	2.92	2.91	-	2.92	2.92	2.91	-
	Amps	6.2	6.2	6.2	-	7.1	7.1	7.1	-	8.1	8.0	8.0	-	9.1	9.1	9.1	-	10.3	10.3	10.3	-	11.7	11.7	11.7	-	11.7	11.7	11.7	-	11.7	11.7	11.7	-
HI PR	244	245	247	-	282	283	285	-	323	324	325	-	366	367	369	-	413	414	416	-	463	464	466	-	463	464	466	-	463	464	466	-	
LO PR	123	124	127	-	130	132	135	-	137	138	141	-	142	144	147	-	148	149	152	-	154	156	159	-	154	156	159	-	154	156	159	-	
MBh	29.5	29.9	30.8	-	29.2	29.6	30.5	-	28.5	28.9	29.7	-	27.2	27.6	28.4	-	25.6	26.0	26.8	-	24.1	24.5	25.4	-	24.1	24.5	25.4	-	24.1	24.5	25.4	-	
S/T	0.69	0.61	0.47	-	0.70	0.62	0.48	-	0.72	0.64	0.50	-	1.00	0.66	0.52	-	1.00	0.69	0.55	-	1.00	0.74	0.60	-	1.00	0.74	0.60	-	1.00	0.74	0.60	-	
ΔT	19	17	14	-	19	17	14	-	19	17	14	-	19	17	14	-	19	17	13	-	20	18	15	-	20	18	15	-	20	18	15	-	
KW	1.73	1.73	1.73	-	1.92	1.92	1.92	-	2.14	2.13	2.13	-	2.37	2.36	2.36	-	2.62	2.62	2.62	-	2.93	2.93	2.92	-	2.93	2.93	2.92	-	2.93	2.93	2.92	-	
Amps	6.2	6.2	6.2	-	7.1	7.1	7.1	-	8.1	8.1	8.1	-	9.2	9.2	9.1	-	10.3	10.3	10.3	-	11.7	11.7	11.7	-	11.7	11.7	11.7	-	11.7	11.7	11.7	-	
HI PR	246	247	249	-	284	286	287	-	325	326	328	-	368	369	371	-	415	416	418	-	465	466	468	-	465	466	468	-	465	466	468	-	
LO PR	124	126	129	-	132	133	136	-	138	140	143	-	144	145	149	-	149	151	154	-	156	158	161	-	156	158	161	-	156	158	161	-	
MBh	29.9	30.3	31.2	-	29.7	30.1	31.0	-	28.9	29.3	30.2	-	27.6	28.0	28.9	-	26.0	26.4	27.3	-	24.6	25.0	25.8	-	24.6	25.0	25.8	-	24.6	25.0	25.8	-	
S/T	0.73	0.65	0.51	-	0.73	0.65	0.51	-	0.76	0.68	0.54	-	1.00	0.70	0.56	-	1.00	0.72	0.58	-	1.00	0.78	0.63	-	1.00	0.78	0.63	-	1.00	0.78	0.63	-	
ΔT	18	16	13	-	18	16	13	-	18	16	13	-	18	16	13	-	18	16	12	-	19	17	14	-	19	17	14	-	19	17	14	-	
KW	1.74	1.74	1.73	-	1.93	1.93	1.92	-	2.14	2.14	2.14	-	2.37	2.37	2.37	-	2.63	2.63	2.63	-	2.94	2.93	2.93	-	2.94	2.93	2.93	-	2.94	2.93	2.93	-	
Amps	6.3	6.3	6.3	-	7.2	7.2	7.1	-	8.1	8.1	8.1	-	9.2	9.2	9.2	-	10.4	10.4	10.4	-	11.8	11.8	11.7	-	11.8	11.8	11.7	-	11.8	11.8	11.7	-	
HI PR	248	249	251	-	286	288	289	-	327	328	330	-	370	371	373	-	417	418	420	-	467	468	470	-	467	468	470	-	467	468	470	-	
LO PR	126	128	131	-	134	135	138	-	140	142	145	-	146	147	151	-	151	153	156	-	158	160	163	-	158	160	163	-	158	160	163	-	

IDB		OUTDOOR AMBIENT TEMPERATURE															ENTERING INDOOR WET BULB TEMPERATURE																
		65					75					85					95					105					115						
		59	63	67	71		59	63	67	71		59	63	67	71		59	63	67	71		59	63	67	71		59	63	67	71			
75	MBh	29.1	29.5	30.4	31.7	28.9	29.3	30.1	31.5	28.1	28.5	29.4	30.7	26.8	27.2	28.1	29.4	25.2	25.6	26.5	27.8	23.7	24.1	25.0	26.3	23.7	24.1	25.0	26.3	23.7	24.1	25.0	26.3
	S/T	0.76	0.68	0.54	0.39	0.77	0.69	0.55	0.40	1.00	0.72	0.57	0.43	1.00	0.74	0.60	0.45	1.00	0.76	0.62	0.47	1.00	1.00	0.67	0.52	1.00	1.00	0.67	0.52	1.00	1.00	0.67	0.52
	ΔT	24	22	19	15	24	22	19	15	25	23	19	16	24	22	19	15	24	22	19	15	25	23	20	16	25	23	20	16	25	23	20	16
	KW	1.72	1.72	1.71	1.73	1.91	1.91	1.91	1.92	2.12	2.12	2.12	2.13	2.36	2.35	2.35	2.36	2.61	2.61	2.61	2.62	2.92	2.92	2.91	2.93	2.92	2.92	2.91	2.93	2.92	2.92	2.91	2.93
	Amps	6.2	6.2	6.2	6.2	7.1	7.1	7.1	7.1	8.0	8.0	8.0	8.1	9.1	9.1	9.1	9.1	10.3	10.3	10.3	10.3	11.7	11.7	11.7	11.7	11.7	11.7	11.7	11.7	11.7	11.7	11.7	11.7
HI PR	244	245	247	251	283	284	285	290	323	324	326	330	366	367	369	373	413	414	416	420	463	464	466	470	463	464	466	470	463	464	466	470	
LO PR	123	124	127	132	130	132	135	140	137	138	141	146	142	144	147	152	148	149	152	157	154	156	159	164	154	156	159	164	154	156	159	164	
MBh	29.5	29.9	30.8	32.1	29.2	29.6	30.5	31.8	28.5	28.9	29.8	31.1	27.2	27.6	28.4	29.8	25.6	26.0	26.9	28.2	24.1	24.5	25.4	26.7	24.1	24.5	25.4	26.7	24.1	24.5	25.4	26.7	
S/T	0.82	0.75	0.60	0.46	0.83	0.75	0.61	0.46	1.00	0.78	0.64	0.49	1.00	0.80	0.66	0.51	1.00	0.82	0.68	0.53	1.00	1.00	0.73	0.59	1.00	1.00	0.73	0.59	1.00	1.00	0.73	0.59	
ΔT	23	21	18	14	23	21	18	14	23	22	18	14	23	21	18	14	23	21	18	14	24	22	19	15	24	22	19	15	24	22	19	15	
KW	1.73	1.73	1.72	1.74	1.92	1.92	1.92	1.93	2.13	2.13	2.13	2.14	2.37	2.36	2.36	2.37	2.62	2.62	2.62	2.63	2.93	2.92	2.92	2.94	2.93	2.92	2.92	2.94	2.93	2.92	2.92	2.94	
Amps	6.2	6.2	6.2	6.3	7.1	7.1	7.1	7.2	8.1	8.1	8.1	8.1	9.2	9.1	9.1	9.1	10.3	10.3	10.3	10.4	11.7	11.7	11.7	11.8	11.7	11.7	11.7	11.8	11.7	11.7	11.7	11.8	
HI PR	246	247	249	253	285	286	287	292	325	326	328	332	368	369	371	375	415	416	418	422	465	466	468	472	465	466	468	472	465	466	468	472	
LO PR	124	126	129	134	132	133	137	142	138	140	143	148	144	145	149	154	149	151	154	159	156	158	161	166	156	158	161	166	156	158	161	166	
MBh	30.0	30.4	31.2	32.6	29.7	30.1	31.0	32.3	28.9	29.3	30.2	31.5	27.6	28.0	28.9	30.2	26.0	26.4	27.3	28.6	24.6	25.0	25.9	27.2	24.6	25.0	25.9	27.2	24.6	25.0	25.9	27.2	
S/T	0.86	0.78	0.64	0.49	1.00	0.79	0.65	0.50	1.00	0.81	0.67	0.52	1.00	0.83	0.69	0.54	1.00	0.86	0.72	0.57	1.00	1.00	0.77	0.62	1.00	1.00	0.77	0.62	1.00	1.00	0.77	0.62	
ΔT	22	20	17	13	22	20	17	13	22	21	17	13	22	20	17	13	22	20	17	13	23	21	18	14	23	21	18	14	23	21	18	14	
KW	1.74	1.74	1.73	1.75	1.93	1.93	1.92	1.94	2.14	2.14	2.14	2.15	2.37	2.37	2.37	2.38	2.63	2.63	2.63	2.64	2.93	2.93	2.93	2.94	2.93	2.93	2.93	2.94	2.93	2.93	2.93	2.94	
Amps	6.3	6.3	6.3	6.3	7.2	7.1	7.1	7.2	8.1	8.1	8.1	8.2	9.2	9.2	9.2	9.2	10.4	10.4	10.4	10.4	11.8	11.8	11.7	11.8	11.8	11.8	11.7	11.8	11.8	11.8	11.7	11.8	
HI PR	248	249	251	255	287	288	289	294	327	328	330	334	370	371	373	377	417	418	420	424	467	468	470	474	467	468	470	474	467	468	470	474	
LO PR	126	128	131	136	134	135	139	144	140	142	145	150	146	147	151	156	151	153	156														

IDB	AIRFLOW	OUTDOOR AMBIENT TEMPERATURE															ENTERING INDOOR WET BULB TEMPERATURE																																
		65					75					85					95					105					115																						
		59	63	67	71	75	59	63	67	71	75	59	63	67	71	75	59	63	67	71	75	59	63	67	71	75	59	63	67	71	75																		
80	MBh	29.3	29.7	30.5	31.9	29.0	29.4	30.3	31.6	28.2	28.7	29.5	30.9	26.9	27.3	28.2	29.5	25.3	25.8	26.6	27.9	23.9	24.3	25.2	26.5	29.3	29.7	30.5	31.9	29.0	29.4	30.3	31.6	28.2	28.7	29.5	30.9	26.9	27.3	28.2	29.5	25.3	25.8	26.6	27.9	23.9	24.3	25.2	26.5
	S/T	1.00	0.81	0.67	0.5	1.00	0.82	0.68	0.53	1.00	0.85	0.70	0.6	1.00	0.87	0.73	0.58	1.00	1.00	1.00	0.75	0.6	1.00	1.00	0.80	0.65	1.00	0.85	0.70	0.6	1.00	0.87	0.73	0.58	1.00	1.00	1.00	0.75	0.6	1.00	1.00	1.00	0.75	0.6	1.00	1.00	0.80	0.65	
	ΔT	28	27	23	19	28	27	23	19	29	27	23	20	28	27	23	19	28	26	23	19	29	27	24	20	28	27	23	19	28	27	23	19	29	27	23	20	28	26	23	19	29	27	24	20				
	KW	1.72	1.72	1.72	1.7	1.91	1.91	1.91	1.92	1.91	1.91	1.91	1.92	2.1	2.36	2.35	2.35	2.37	2.61	2.61	2.61	2.6	2.92	2.92	2.91	2.93	2.36	2.35	2.35	2.37	2.61	2.61	2.61	2.6	2.92	2.92	2.91	2.93											
	Amps	6.2	6.2	6.2	6.2	7.1	7.1	7.1	7.1	7.1	7.1	7.1	8.1	9.1	9.1	9.1	9.1	9.2	10.3	10.3	10.3	10.3	11.7	11.7	11.7	11.7	9.1	9.1	9.1	9.1	9.2	10.3	10.3	10.3	10.4	11.7	11.7	11.7	11.8										
	HI PR	245	246	247	252	283	284	286	290	323	324	326	330	367	368	370	374	414	415	415	416	421	464	465	466	471	367	368	370	374	414	415	416	421	464	465	466	471											
	LO PR	123	125	128	133	131	132	135	140	137	139	142	147	143	144	147	153	148	150	153	158	155	156	160	165	143	144	147	153	148	150	153	158	155	156	160	165												
	MBh	29.6	30.1	30.9	32.3	29.4	29.8	30.7	32.0	28.6	29.0	29.9	31.2	27.3	27.7	28.6	29.9	25.7	26.1	27.0	28.3	24.3	24.7	25.5	26.9	27.3	27.7	28.6	29.9	25.7	26.1	27.0	28.3	24.3	24.7	25.5	26.9												
	S/T	1.00	0.88	0.73	0.6	1.00	0.88	0.74	0.59	1.00	0.91	0.77	0.6	1.00	1.00	0.79	0.64	1.00	1.00	0.81	0.7	1.00	1.00	0.86	0.72	1.00	0.91	0.77	0.6	1.00	1.00	0.81	0.7	1.00	1.00	0.86	0.72												
	ΔT	27	25	22	18	27	25	22	18	28	26	22	19	27	25	22	18	27	25	22	18	28	26	23	19	27	25	22	18	27	25	22	18	28	26	23	19												
KW	1.73	1.73	1.72	1.7	1.92	1.92	1.92	1.93	2.13	2.13	2.13	2.1	2.37	2.36	2.36	2.38	2.62	2.62	2.62	2.6	2.93	2.93	2.92	2.94	2.37	2.36	2.36	2.38	2.62	2.62	2.62	2.6	2.93	2.93	2.92	2.94													
Amps	6.2	6.2	6.2	6.3	7.1	7.1	7.1	7.2	8.1	8.1	8.1	8.1	9.2	9.2	9.2	9.2	10.4	10.4	10.4	10.4	11.7	11.7	11.7	11.8	9.2	9.2	9.2	9.2	9.2	10.4	10.4	10.4	10.4	11.7	11.7	11.7	11.8												
HI PR	247	248	249	254	285	286	288	292	325	326	328	332	369	370	372	376	416	417	418	423	466	467	468	473	369	370	372	376	416	417	418	423	466	467	468	473													
LO PR	125	126	130	135	132	134	137	142	139	140	144	149	144	146	149	154	150	151	155	160	157	158	161	167	144	146	149	154	150	151	155	160	157	158	161	167													
MBh	30.1	30.5	31.4	32.7	29.8	30.3	31.1	32.5	29.1	29.5	30.4	31.7	27.8	28.2	29.1	30.4	26.2	26.6	27.5	28.8	24.7	25.1	26.0	27.3	27.8	28.2	29.1	30.4	26.2	26.6	27.5	28.8	24.7	25.1	26.0	27.3													
S/T	1.00	0.91	0.77	0.6	1.00	0.92	0.78	0.63	1.00	0.94	0.80	0.7	1.00	1.00	0.82	0.67	1.00	1.00	0.85	0.7	1.00	1.00	0.90	0.75	1.00	0.94	0.80	0.7	1.00	1.00	0.85	0.7	1.00	1.00	0.90	0.75													
ΔT	26	25	21	17	26	24	21	17	27	25	21	18	26	24	21	17	26	24	21	17	27	25	22	18	26	24	21	17	26	24	21	17	27	25	22	18													
KW	1.74	1.74	1.73	1.8	1.93	1.93	1.92	1.94	2.14	2.14	2.14	2.2	2.37	2.37	2.37	2.38	2.63	2.63	2.63	2.6	2.94	2.93	2.93	2.95	2.37	2.37	2.37	2.38	2.63	2.63	2.63	2.6	2.94	2.93	2.93	2.95													
Amps	6.3	6.3	6.3	6.3	7.2	7.2	7.1	7.2	8.1	8.1	8.1	8.2	9.2	9.2	9.2	9.2	10.4	10.4	10.4	10.4	11.8	11.8	11.7	11.8	9.2	9.2	9.2	9.2	9.2	10.4	10.4	10.4	10.4	11.8	11.8	11.7	11.8												
HI PR	249	250	251	256	287	288	290	294	327	328	330	334	371	372	374	378	418	419	420	425	468	469	470	475	371	372	374	378	418	419	420	425	468	469	470	475													
LO PR	127	128	132	137	134	136	139	144	141	142	146	151	146	148	151	156	152	153	157	162	159	160	163	169	146	148	151	156	152	153	157	162	159	160	163	169													
85	MBh	29.8	30.2	31.0	32.4	29.5	29.9	30.8	32.1	28.7	29.1	30.0	31.3	27.4	27.8	28.7	29.1	30.4	26.2	26.6	27.5	28.8	24.4	24.8	25.7	27.0	27.4	27.8	28.7	29.1	30.4	26.2	26.6	27.5	28.8	24.8	25.2	26.0	27.4										
	S/T	1.00	0.92	0.78	0.63	1.00	0.92	0.78	0.64	1.00	1.00	0.87	0.72	1.00	1.00	0.89	0.74	1.00	1.00	0.92	0.77	1.00	1.00	1.00	0.82	1.00	0.92	0.83	0.68	1.00	1.00	0.92	0.77	1.00	1.00	0.92	0.77	1.00	1.00	1.00	0.82								
	ΔT	32	30	27	23	32	30	27	23	32	30	27	23	32	30	27	23	32	30	26	23	33	31	28	24	32	30	27	23	32	30	26	23	33	31	28	24												
	KW	1.72	1.72	1.72	1.73	1.91	1.91	1.91	1.92	2.13	2.13	2.12	2.14	2.36	2.36	2.36	2.37	2.62	2.62	2.61	2.63	2.92	2.92	2.92	2.93	2.36	2.36	2.36	2.37	2.62	2.62	2.61	2.63	2.92	2.92	2.92	2.93												
	Amps	6.2	6.2	6.2	6.3	7.1	7.1	7.1	7.1	8.1	8.1	8.0	8.1	9.1	9.1	9.1	9.2	10.3	10.3	10.3	10.4	11.7	11.7	11.7	11.7	9.1	9.1	9.1	9.1	9.2	10.3	10.3	10.4	11.7	11.7	11.7	11.7												
	HI PR	246	247	248	253	284	285	287	291	325	326	327	332	368	369	371	375	415	416	417	422	465	466	467	472	368	369	371	375	415	416	417	422	465	466	467	472												
	LO PR	125	127	130	135	132	134	137	142	139	141	144	149	145	146	149	154	150	151	155	160	157	158	161	167	145	146	149	154	150	151	155	160	157	158	161	167												
	MBh	30.1	30.5	31.4	32.7	29.9	30.3	31.2	32.5	29.1	29.5	30.4	31.7	27.8	28.2	29.1	30.4	26.2	26.6	27.5	28.8	24.8	25.2	26.0	27.4	27.8	28.2	29.1	30.4	26.2	26.6	27.5	28.8	24.8	25.2	26.0	27.4												
	S/T	1.00	0.98	0.84	0.69	1.00	1.00	0.85	0.70	1.00	1.00	0.87	0.72	1.00	1.00	0.89	0.74	1.00	1.00	0.92	0.77	1.00	1.00	1.00	0.82	1.00	0.92	0.83	0.68	1.00	1.00	0.92	0.77	1.00	1.00	0.92	0.77	1.00	1.00	1.00	0.82								
	ΔT	31	29	26	22	31	29	26	22	31	29	26	22	31	29	26	22	31	29	25	22	32	30	26	23	31	29	26	22	31	29	25	22	32	30	26	23												
KW	1.73	1.73	1.73	1.74	1.92	1.92	1.92	1.93	2.14	2.14	2.13	2.15	2.37	2.37	2.36	2.38	2.63	2.63	2.62	2.64	2.93	2.93	2.93	2.94	2.37	2.37	2.36	2.38	2.63	2.63	2.62	2.64	2.93	2.93	2.93	2.94													
Amps	6.3	6.3	6.2	6.3	7.1	7.1	7.1	7.2	8.1	8.1	8.1	8.2	9.2	9.2	9.2	9.2	10.4	10.4	10.3	10.4	11.7	11.7	11.7	11.8	9.2	9.2	9.2	9.2	9.2	10.4	10.3	10.4	11.7	11.7	11.7	11.8													
HI PR	248	249	251	255	286	287	289	293	327	328	329	334	370	371	373	377	417	418	420	424	467	468	470	474	370	371	373	377	417	418	420	424	467	468	470	474													
LO PR	127	128	131	137	134	136	139	144	141	142	145	151	146	148	151	156	152	153	156	162	159	160	163	168	146	148	151	156	152	153	156	162	159	160	163	168													
MBh	30.6	31.0	31.9	33.2	30.3	30.7	31.6	32.9	29.6	30.0	30.9	32.2	28.3	28.7	29.5	30.9	26.7	27.1	28.0	29.3	25.2	25.6	26.5	27.8	28.3	28.7	29.5	30.9	26.7	27.1	28.0	29.3	25.2	25.6	26.5	27.8													
S/T	1.00	1.00	0.87	0.73	1.00	1.00																																											

IDB		OUTDOOR AMBIENT TEMPERATURE												ENTERING INDOOR WET BULB TEMPERATURE																																								
		65						75						85						95						105						115																						
		59	63	67	71	59	63	67	71	59	63	67	71	59	63	67	71	59	63	67	71	59	63	67	71	59	63	67	71	59	63	67	71																					
70	MBh	34.8	35.3	36.3	-	34.5	35.0	36.0	-	33.6	34.1	35.1	-	32.0	32.5	33.5	-	30.1	30.6	31.6	-	28.4	28.8	29.9	-	34.8	35.3	36.3	-	34.5	35.0	36.0	-	33.6	34.1	35.1	-	32.0	32.5	33.5	-	30.1	30.6	31.6	-	28.4	28.8	29.9	-					
	S/T	0.59	0.52	0.38	-	0.60	0.52	0.39	-	0.62	0.55	0.42	-	0.64	0.57	0.43	-	1.00	0.59	0.46	-	1.00	0.64	0.51	-	0.59	0.52	0.38	-	0.60	0.52	0.39	-	0.62	0.55	0.42	-	0.64	0.57	0.43	-	1.00	0.59	0.46	-	1.00	0.64	0.51	-					
	ΔT	19	17	14	-	19	17	14	-	19	18	14	-	19	17	14	-	19	17	14	-	20	18	15	-	19	17	14	-	19	17	14	-	19	18	14	-	19	17	14	-	20	18	15	-	20	18	15	-					
	KW	2.09	2.09	2.09	-	2.32	2.32	2.32	-	2.32	2.32	2.32	-	2.58	2.86	2.86	-	3.18	3.18	3.17	-	3.55	3.55	3.54	-	2.09	2.09	2.09	-	2.32	2.32	2.32	-	2.58	2.86	2.86	-	3.18	3.18	3.17	-	3.55	3.55	3.54	-	3.55	3.55	3.54	-					
	Amps	7.6	7.6	7.5	-	8.6	8.6	8.6	-	8.6	8.6	8.6	-	9.8	9.8	9.8	-	11.1	11.1	11.1	-	12.5	12.5	12.5	-	7.6	7.6	7.5	-	8.6	8.6	8.6	-	9.8	9.8	9.8	-	11.1	11.1	11.1	-	12.5	12.5	12.5	-	14.2	14.2	14.2	-	14.2	14.2	14.2	-	
	HI PR	254	255	257	-	294	295	297	-	294	295	297	-	336	337	339	-	381	382	384	-	430	431	433	-	254	255	257	-	294	295	297	-	336	337	339	-	381	382	384	-	430	431	433	-	482	483	485	-	482	483	485	-	
	LO PR	121	123	126	-	129	130	133	-	129	130	133	-	135	137	140	-	141	142	145	-	146	147	151	-	121	123	126	-	129	130	133	-	135	137	140	-	141	142	145	-	146	147	151	-	153	154	157	-	153	154	157	-	
	MBh	35.3	35.7	36.8	-	34.9	35.4	36.5	-	34.0	34.5	35.6	-	32.5	33.0	34.0	-	30.6	31.0	32.1	-	28.8	29.3	30.3	-	35.3	35.7	36.8	-	34.9	35.4	36.5	-	34.0	34.5	35.6	-	32.5	33.0	34.0	-	30.6	31.0	32.1	-	28.8	29.3	30.3	-	28.8	29.3	30.3	-	
	S/T	0.65	0.58	0.44	-	0.66	0.58	0.45	-	0.68	0.61	0.47	-	0.70	0.63	0.49	-	1.00	0.65	0.51	-	1.00	0.70	0.56	-	0.65	0.58	0.44	-	0.66	0.58	0.45	-	0.68	0.61	0.47	-	0.70	0.63	0.49	-	1.00	0.65	0.51	-	1.00	0.70	0.56	-	1.00	0.70	0.56	-	
	ΔT	18	16	13	-	18	16	13	-	18	17	13	-	18	16	13	-	18	16	13	-	19	17	14	-	18	16	13	-	18	16	13	-	18	17	13	-	18	16	13	-	18	16	13	-	19	17	14	-	19	17	14	-	
KW	2.10	2.10	2.10	-	2.34	2.33	2.33	-	2.60	2.59	2.59	-	2.60	2.59	2.59	-	2.88	2.88	2.87	-	3.19	3.19	3.19	-	2.10	2.10	2.10	-	2.34	2.33	2.33	-	2.60	2.59	2.59	-	2.88	2.88	2.87	-	3.19	3.19	3.19	-	3.56	3.56	3.55	-	3.56	3.56	3.55	-		
Amps	7.6	7.6	7.6	-	8.7	8.7	8.7	-	8.7	8.7	8.7	-	9.9	9.9	9.9	-	11.2	11.2	11.1	-	12.6	12.6	12.6	-	7.6	7.6	7.6	-	8.7	8.7	8.7	-	9.9	9.9	9.9	-	11.2	11.2	11.1	-	12.6	12.6	12.6	-	14.3	14.3	14.3	-	14.3	14.3	14.3	-		
HI PR	256	257	259	-	296	297	299	-	296	297	299	-	338	339	341	-	384	385	386	-	432	433	435	-	256	257	259	-	296	297	299	-	338	339	341	-	384	385	386	-	432	433	435	-	484	485	487	-	484	485	487	-		
LO PR	123	125	128	-	130	132	135	-	130	132	135	-	137	138	141	-	142	144	147	-	148	149	152	-	123	125	128	-	130	132	135	-	137	138	141	-	142	144	147	-	148	149	152	-	154	156	159	-	154	156	159	-		
MBh	35.8	36.3	37.3	-	35.5	36.0	37.0	-	34.6	35.1	36.1	-	33.0	33.5	34.5	-	31.1	31.6	32.6	-	29.4	29.9	30.9	-	35.8	36.3	37.3	-	35.5	36.0	37.0	-	34.6	35.1	36.1	-	33.0	33.5	34.5	-	31.1	31.6	32.6	-	29.4	29.9	30.9	-	29.4	29.9	30.9	-		
S/T	0.68	0.61	0.48	-	0.69	0.61	0.48	-	0.71	0.64	0.51	-	1.00	0.66	0.53	-	1.00	0.68	0.55	-	1.00	0.73	0.60	-	0.68	0.61	0.48	-	0.69	0.61	0.48	-	0.71	0.64	0.51	-	1.00	0.66	0.53	-	1.00	0.68	0.55	-	1.00	0.73	0.60	-	1.00	0.73	0.60	-		
ΔT	17	15	12	-	17	15	12	-	17	16	12	-	17	15	12	-	17	15	12	-	17	15	12	-	17	15	12	-	17	15	12	-	17	16	12	-	17	15	12	-	17	15	12	-	18	16	13	-	18	16	13	-		
KW	2.11	2.11	2.11	-	2.35	2.34	2.34	-	2.61	2.60	2.60	-	2.61	2.60	2.60	-	2.89	2.89	2.88	-	3.20	3.20	3.20	-	2.11	2.11	2.11	-	2.35	2.34	2.34	-	2.61	2.60	2.60	-	2.89	2.89	2.88	-	3.20	3.20	3.20	-	3.57	3.57	3.56	-	3.57	3.57	3.56	-		
Amps	7.7	7.7	7.6	-	8.7	8.7	8.7	-	8.7	8.7	8.7	-	9.9	9.9	9.9	-	11.2	11.2	11.2	-	12.7	12.6	12.6	-	7.7	7.7	7.6	-	8.7	8.7	8.7	-	9.9	9.9	9.9	-	11.2	11.2	11.2	-	12.7	12.6	12.6	-	14.3	14.3	14.3	-	14.3	14.3	14.3	-		
HI PR	258	259	261	-	298	300	301	-	340	342	343	-	340	342	343	-	386	387	389	-	434	435	437	-	258	259	261	-	298	300	301	-	340	342	343	-	386	387	389	-	434	435	437	-	486	488	489	-	486	488	489	-		
LO PR	125	127	130	-	132	134	137	-	139	140	143	-	139	140	143	-	144	146	149	-	150	151	154	-	125	127	130	-	132	134	137	-	139	140	143	-	144	146	149	-	150	151	154	-	156	158	161	-	156	158	161	-		
75	MBh	34.8	35.3	36.3	37.9	34.5	35.0	36.0	37.6	33.6	34.1	35.1	36.7	32.0	32.5	33.6	35.2	32.5	30.1	30.6	31.7	33.2	28.4	28.9	29.9	31.5	34.8	35.3	36.3	37.9	34.5	35.0	36.0	37.6	33.6	34.1	35.1	36.7	32.0	32.5	33.6	35.2	32.5	30.1	30.6	31.7	33.2	28.4	28.9	29.9	31.5			
	S/T	0.72	0.64	0.51	0.37	0.72	0.65	0.52	0.38	1.00	0.67	0.54	0.40	1.00	0.69	0.56	0.42	1.00	1.00	0.71	0.58	0.44	1.00	1.00	0.76	0.63	0.49	0.72	0.64	0.51	0.37	0.72	0.65	0.52	0.38	1.00	0.67	0.54	0.40	1.00	0.75	0.62	0.48	1.00	1.00	0.77	0.64	0.50	1.00	1.00	0.76	0.63	0.49	
	ΔT	23	21	18	15	23	21	18	15	23	22	18	15	23	20	18	15	23	23	21	18	14	24	22	19	15	23	23	21	18	15	23	22	18	15	23	22	18	14	24	20	17	13	23	23	21	18	14	24	22	19	15	23	
	KW	2.09	2.09	2.08	2.10	2.32	2.32	2.32	2.33	2.58	2.58	2.58	2.59	2.86	2.86	2.86	2.88	2.86	2.86	3.18	3.18	3.17	3.19	3.55	3.54	3.54	3.56	2.09	2.09	2.08	2.10	2.32	2.32	2.32	2.33	2.58	2.58	2.58	2.59	2.86	2.87	2.87	2.89	3.19	3.19	3.18	3.20	3.56	3.56	3.55	3.57	3.55	3.54	3.56
	Amps	7.6	7.6	7.5	8.0	8.6	8.6	8.6	8.7	9.8	9.8	9.8	10.0	11.1	11.1	11.1	11.2	11.1	11.1	12.5	12.5	12.5	13.0	14.2	14.2	14.3	7.6	7.6	7.5	8.0	8.6	8.6	8.6	8.7	9.8	9.8	9.8	10.0	11.1	11.2	11.1	11.0	12.6	12.6	12.6	13.0	14.3	14.3	14.0	14.0	14.2	14.2	14.3	14.0
	HI PR	254	255	257	262	294	295	297	302	336	337	339	344	382	383	384	389	384	384	430	430	431	433	482	484	485	490	254	255	257	262	294	295	297	302	336	337	339	344	382	383	384	389	384	430	431	433	438	482	484	485	490		
	LO PR	121	123	126	131	129	130	133	138	135	137	140	145	141	142	145	150	145	145	146	147	151	156	153	154	157	162	121	123	126	131	129	130	133	138	135	137	140	145	141	142	145	150	145	145	146	147	151	156	153	154	157	162	
	MBh	35.3	35.8	36.8	38.4	35.0	35.5	36.5	38.1	34.1	34.5	35.6	37.2	32.5	33.0	34.0	35.6	32.5	30.6	31.1	32.1	33.7	28.8	29.3																														

IDB		OUTDOOR AMBIENT TEMPERATURE												ENTERING INDOOR WET BULB TEMPERATURE											
		65				75				85				95				105				115			
		59	63	67	71	59	63	67	71	59	63	67	71	59	63	67	71	59	63	67	71	59	63	67	71
1050	MBh	35.0	35.5	36.5	38.1	34.7	35.2	36.2	37.8	33.8	34.3	35.3	36.9	32.2	32.7	33.7	35.3	30.3	30.8	31.8	33.4	28.6	29.0	30.1	31.7
	S/T	0.84	0.77	0.63	0.5	1.00	0.77	0.64	0.50	1.00	0.80	0.66	0.5	1.00	0.82	0.68	0.54	1.00	1.00	0.70	0.6	1.00	1.00	0.75	0.61
	ΔT	2.07	2.5	2.2	1.9	2.7	2.5	2.2	1.8	2.7	2.5	2.2	1.9	2.7	2.5	2.2	1.8	2.7	2.5	2.2	1.8	2.8	2.6	2.3	1.9
	KW	2.09	2.09	2.09	2.1	2.32	2.32	2.32	2.34	2.58	2.58	2.58	2.6	2.86	2.86	2.86	2.88	3.18	3.18	3.17	3.2	3.55	3.55	3.54	3.56
	Amps	7.6	7.6	7.5	8.0	8.6	8.6	8.6	9.0	9.8	9.8	9.8	10.0	11.1	11.1	11.1	11.0	12.5	12.5	12.5	13.0	14.2	14.2	14.2	14.0
1200	HI PR	255	256	258	262	295	296	298	302	337	338	340	344	382	383	385	389	431	432	434	438	483	484	486	490
	LO PR	122	123	126	132	129	131	134	139	136	137	140	145	141	143	146	151	146	148	151	156	153	155	158	163
	MBh	35.5	35.9	37.0	38.6	35.1	35.6	36.7	38.3	34.2	34.7	35.8	37.4	32.7	33.2	34.2	35.8	30.8	31.2	32.3	33.9	29.0	29.5	30.5	32.1
	S/T	1.00	0.82	0.69	0.6	1.00	0.83	0.70	0.56	1.00	0.85	0.72	0.6	1.00	0.87	0.74	0.60	1.00	1.00	0.76	0.6	1.00	1.00	0.81	0.67
	ΔT	2.6	2.4	2.1	1.7	2.6	2.4	2.1	1.8	2.6	2.4	2.1	1.8	2.6	2.4	2.1	1.7	2.6	2.4	2.1	1.7	2.7	2.5	2.2	1.8
1350	KW	2.10	2.10	2.10	2.1	2.34	2.33	2.33	2.35	2.60	2.59	2.59	2.6	2.88	2.87	2.87	2.89	3.19	3.19	3.19	3.2	3.56	3.56	3.55	3.57
	Amps	7.6	7.6	7.6	8.0	8.7	8.7	8.7	9.0	9.9	9.9	9.9	10.0	11.2	11.2	11.2	11.0	12.6	12.6	12.6	13.0	14.3	14.3	14.3	14.0
	HI PR	257	258	260	264	297	298	300	304	339	340	342	346	384	385	387	392	433	434	436	440	485	486	488	492
	LO PR	124	125	128	133	131	132	136	141	137	139	142	147	143	144	147	153	148	150	153	158	155	156	160	165
	MBh	36.0	36.5	37.5	39.1	35.7	36.2	37.2	38.8	34.8	35.3	36.3	37.9	33.2	33.7	34.7	36.3	31.3	31.8	32.8	34.4	29.6	30.1	31.1	32.7

IDB		OUTDOOR AMBIENT TEMPERATURE												ENTERING INDOOR WET BULB TEMPERATURE											
		65				75				85				95				105				115			
		59	63	67	71	59	63	67	71	59	63	67	71	59	63	67	71	59	63	67	71	59	63	67	71
1050	MBh	35.6	36.1	37.1	38.7	35.3	35.8	36.8	38.4	34.4	34.9	35.9	37.5	32.8	33.3	34.3	35.9	30.9	31.4	32.4	34.0	29.1	29.6	30.7	32.3
	S/T	1.00	0.86	0.73	0.59	1.00	0.87	0.74	0.60	1.00	1.00	0.76	0.62	1.00	1.00	0.78	0.64	1.00	1.00	0.80	0.66	1.00	1.00	1.00	0.71
	ΔT	3.1	2.9	2.5	2.2	3.0	2.9	2.5	2.2	3.1	2.9	2.6	2.2	3.0	2.9	2.5	2.2	3.0	2.8	2.5	2.2	3.1	3.0	2.6	2.3
	KW	2.10	2.09	2.09	2.11	2.33	2.33	2.32	2.34	2.59	2.59	2.58	2.60	2.87	2.87	2.86	2.88	3.18	3.18	3.18	3.20	3.55	3.55	3.55	3.56
	Amps	7.6	7.6	7.6	8.0	8.7	8.6	8.6	9.0	9.8	9.8	9.8	10.0	11.1	11.1	11.1	11.0	12.6	12.6	12.5	13.0	14.3	14.2	14.2	14.0
1200	HI PR	256	257	259	263	296	297	299	303	338	339	341	345	383	384	386	391	432	433	435	439	484	485	487	491
	LO PR	124	125	128	133	131	133	136	141	137	139	142	147	143	144	148	153	148	150	153	158	155	157	160	165
	MBh	36.0	36.5	37.6	39.2	35.7	36.2	37.3	38.8	34.8	35.3	36.3	37.9	33.3	33.7	34.8	36.4	31.3	31.8	32.9	34.5	29.6	30.1	31.1	32.7
	S/T	1.00	0.92	0.79	0.65	1.00	0.93	0.80	0.66	1.00	1.00	0.82	0.68	1.00	1.00	0.84	0.70	1.00	1.00	0.86	0.72	1.00	1.00	1.00	0.77
	ΔT	2.9	2.8	2.4	2.1	2.9	2.8	2.4	2.1	3.0	2.8	2.5	2.1	2.9	2.8	2.4	2.1	2.9	2.7	2.4	2.1	3.0	2.8	2.5	2.2
1350	KW	2.11	2.11	2.10	2.12	2.34	2.34	2.33	2.35	2.60	2.60	2.59	2.61	2.88	2.88	2.88	2.89	3.20	3.19	3.19	3.21	3.56	3.56	3.56	3.58
	Amps	7.6	7.6	7.6	8.0	8.7	8.7	8.7	9.0	9.9	9.9	9.9	10.0	11.2	11.2	11.2	11.0	12.6	12.6	12.6	13.0	14.3	14.3	14.3	14.0
	HI PR	258	259	261	265	298	299	301	306	340	341	343	348	385	387	388	393	434	435	437	442	486	487	489	494
	LO PR	125	127	130	135	133	134	137	143	139	141	144	149	145	146	149	154	150	152	155	160	157	158	161	167
	MBh	36.6	37.1	38.1	39.7	36.3	36.8	37.8	39.4	35.4	35.9	36.9	38.5	33.8	34.3	35.3	36.9	31.9	32.4	33.4	35.0	30.1	30.6	31.7	33.3

IDB: Entering Indoor Dry Bulb Temperature
 High and low pressures are measured at the liquid and suction service valves.
 Shaded area reflects AHRI conditions
 kW = Total system power
 Amps = outdoor unit amps (comp.+fan)

IDB		OUTDOOR AMBIENT TEMPERATURE															105															115																											
		65					75					85					95					105					115																																
		ENTERING INDOOR WET BULB TEMPERATURE															95															105															115												
AIRFLOW	59	63	67	71	75	59	63	67	71	75	59	63	67	71	75	59	63	67	71	75	59	63	67	71	75	59	63	67	71	75	59	63	67	71	75																								
1100	MBh	35.0	35.5	36.6	-	34.7	35.2	36.3	-	33.8	34.3	35.4	-	32.3	32.8	33.8	-	30.4	30.9	31.9	-	28.6	29.1	30.2	-	30.4	30.9	31.9	-	28.6	29.1	30.2	-	30.4	30.9	31.9	-	28.6	29.1	30.2	-																		
	S/T	0.66	0.59	0.45	-	0.67	0.59	0.46	-	0.70	0.62	0.48	-	0.71	0.64	0.50	-	1.00	0.66	0.53	-	1.00	0.71	0.58	-	1.00	0.66	0.53	-	1.00	0.71	0.58	-	1.00	0.66	0.53	-	1.00	0.71	0.58	-																		
	ΔT	2.0	1.8	1.4	-	2.0	1.8	1.4	-	2.0	1.8	1.4	-	1.9	1.8	1.4	-	1.9	1.7	1.4	-	2.0	1.9	1.5	-	1.9	1.7	1.4	-	2.0	1.9	1.5	-	1.9	1.7	1.4	-	2.0	1.9	1.5	-																		
	KW	2.03	2.03	2.02	-	2.26	2.26	2.26	-	2.53	2.53	2.52	-	2.81	2.81	2.81	-	3.13	3.13	3.13	-	3.51	3.50	3.50	-	3.13	3.13	3.13	-	3.51	3.50	3.50	-	3.13	3.13	3.13	-	3.51	3.50	3.50	-																		
	Amps	7.4	7.4	7.4	-	8.5	8.5	8.5	-	9.7	9.7	9.7	-	11.0	11.0	11.0	-	12.5	12.5	12.5	-	14.2	14.2	14.2	-	12.5	12.5	12.5	-	14.2	14.2	14.2	-	12.5	12.5	12.5	-	14.2	14.2	14.2	-																		
1200	MBh	35.4	35.9	37.0	-	35.1	35.6	36.6	-	34.2	34.7	35.7	-	32.7	33.2	34.2	-	30.8	31.3	32.3	-	29.0	29.5	30.6	-	30.8	31.3	32.3	-	29.0	29.5	30.6	-	30.8	31.3	32.3	-	29.0	29.5	30.6	-																		
	S/T	0.69	0.62	0.48	-	0.70	0.62	0.49	-	0.72	0.65	0.51	-	0.74	0.67	0.53	-	1.00	0.69	0.55	-	1.00	0.74	0.60	-	1.00	0.69	0.55	-	1.00	0.74	0.60	-	1.00	0.69	0.55	-	1.00	0.74	0.60	-																		
	ΔT	1.9	1.7	1.3	-	1.9	1.7	1.3	-	1.9	1.7	1.4	-	1.9	1.7	1.3	-	1.9	1.7	1.3	-	2.0	1.8	1.4	-	1.9	1.7	1.3	-	2.0	1.8	1.4	-	1.9	1.7	1.3	-	2.0	1.8	1.4	-																		
	KW	2.04	2.03	2.03	-	2.27	2.27	2.27	-	2.54	2.53	2.53	-	2.82	2.82	2.82	-	3.14	3.14	3.13	-	3.51	3.51	3.51	-	3.14	3.14	3.13	-	3.51	3.51	3.51	-	3.14	3.14	3.13	-	3.51	3.51	3.51	-																		
	Amps	7.5	7.5	7.5	-	8.6	8.6	8.5	-	9.8	9.8	9.7	-	11.1	11.1	11.0	-	12.5	12.5	12.5	-	14.2	14.2	14.2	-	12.5	12.5	12.5	-	14.2	14.2	14.2	-	12.5	12.5	12.5	-	14.2	14.2	14.2	-																		
1350	MBh	36.1	36.6	37.6	-	35.8	36.3	37.3	-	34.9	35.4	36.4	-	33.4	33.8	34.9	-	31.5	31.9	33.0	-	29.7	30.2	31.2	-	31.5	31.9	33.0	-	29.7	30.2	31.2	-	31.5	31.9	33.0	-	29.7	30.2	31.2	-																		
	S/T	0.71	0.63	0.50	-	0.71	0.64	0.50	-	0.74	0.66	0.53	-	1.00	0.68	0.55	-	1.00	0.71	0.57	-	1.00	0.76	0.62	-	1.00	0.71	0.57	-	1.00	0.76	0.62	-	1.00	0.71	0.57	-	1.00	0.76	0.62	-																		
	ΔT	1.8	1.6	1.2	-	1.8	1.6	1.2	-	1.8	1.6	1.3	-	1.8	1.6	1.2	-	1.8	1.6	1.2	-	1.9	1.7	1.3	-	1.8	1.6	1.2	-	1.9	1.7	1.3	-	1.8	1.6	1.2	-	1.9	1.7	1.3	-																		
	KW	2.05	2.04	2.04	-	2.28	2.28	2.28	-	2.55	2.54	2.54	-	2.83	2.83	2.83	-	3.15	3.15	3.14	-	3.52	3.52	3.52	-	3.15	3.15	3.14	-	3.52	3.52	3.52	-	3.15	3.15	3.14	-	3.52	3.52	3.52	-																		
	Amps	7.5	7.5	7.5	-	8.6	8.6	8.6	-	9.8	9.8	9.8	-	11.1	11.1	11.1	-	12.6	12.6	12.6	-	14.3	14.3	14.3	-	12.6	12.6	12.6	-	14.3	14.3	14.3	-	12.6	12.6	12.6	-	14.3	14.3	14.3	-																		
75	MBh	35.1	35.6	37.0	38.2	34.8	35.2	36.3	37.9	35.1	35.6	36.7	38.2	34.2	34.7	35.8	37.3	32.7	33.2	34.2	35.8	30.8	31.3	32.3	33.9	29.1	29.5	30.6	32.2	30.8	31.3	32.3	33.9	29.1	29.5	30.6	32.2	30.8	31.3	32.3	33.9	29.1	29.5	30.6	32.2														
	S/T	0.82	0.74	0.61	0.47	0.83	0.75	0.61	0.47	0.83	0.75	0.61	0.47	1.00	0.77	0.64	0.50	1.00	0.79	0.66	0.52	1.00	0.82	0.68	0.54	1.00	1.00	0.73	0.59	1.00	0.82	0.68	0.54	1.00	1.00	0.73	0.59	1.00	0.82	0.68	0.54	1.00	1.00	0.73	0.59														
	ΔT	2.3	2.1	1.8	1.4	2.3	2.1	1.7	1.4	2.3	2.1	1.8	1.4	2.3	2.1	1.8	1.4	2.3	2.1	1.7	1.4	2.3	2.1	1.7	1.4	2.4	2.2	1.8	1.5	2.4	2.2	1.8	1.5	2.3	2.1	1.7	1.4	2.4	2.2	1.8	1.5	2.3	2.1	1.7	1.4	2.4	2.2	1.8	1.5										
	KW	2.03	2.02	2.02	2.04	2.26	2.26	2.26	2.28	2.27	2.27	2.26	2.28	2.28	2.53	2.53	2.53	2.55	2.82	2.82	2.81	2.83	3.14	3.14	3.13	3.15	3.51	3.51	3.52	3.52	3.14	3.14	3.13	3.15	3.51	3.51	3.51	3.52	3.14	3.14	3.13	3.15	3.51	3.51	3.51	3.52													
	Amps	7.4	7.4	7.4	7.5	8.5	8.5	8.5	8.6	8.6	8.5	8.5	8.6	8.6	9.7	9.7	9.7	9.8	11.0	11.0	11.0	11.1	12.5	12.5	12.5	12.5	14.2	14.2	14.3	14.3	12.5	12.5	12.5	12.5	14.2	14.2	14.2	14.3	12.5	12.5	12.5	12.5	14.2	14.2	14.2	14.3													
1100	MBh	35.5	35.9	37.0	38.6	34.8	35.2	36.3	37.9	35.1	35.6	36.7	38.2	34.2	34.7	35.8	37.3	32.7	33.2	34.2	35.8	30.8	31.3	32.3	33.9	29.1	29.5	30.6	32.2	30.8	31.3	32.3	33.9	29.1	29.5	30.6	32.2	30.8	31.3	32.3	33.9	29.1	29.5	30.6	32.2														
	S/T	0.79	0.72	0.58	0.44	0.80	0.72	0.59	0.45	0.83	0.75	0.61	0.47	1.00	0.77	0.64	0.50	1.00	0.79	0.66	0.51	1.00	0.82	0.68	0.54	1.00	1.00	0.73	0.59	1.00	0.82	0.68	0.54	1.00	1.00	0.73	0.59	1.00	0.82	0.68	0.54	1.00	1.00	0.73	0.59														
	ΔT	2.4	2.2	1.8	1.5	2.4	2.2	1.8	1.5	2.4	2.2	1.8	1.5	2.4	2.2	1.8	1.5	2.4	2.2	1.8	1.5	2.4	2.2	1.8	1.5	2.5	2.3	1.9	1.6	2.5	2.3	1.9	1.6	2.4	2.2	1.8	1.5	2.5	2.3	1.9	1.6	2.4	2.2	1.8	1.5	2.5	2.3	1.9	1.6										
	KW	2.03	2.02	2.02	2.04	2.26	2.26	2.26	2.28	2.27	2.27	2.26	2.28	2.28	2.53	2.53	2.53	2.55	2.82	2.82	2.81	2.83	3.14	3.14	3.13	3.15	3.51	3.51	3.52	3.52	3.14	3.14	3.13	3.15	3.51	3.51	3.51	3.52	3.14	3.14	3.13	3.15	3.51	3.51	3.51	3.52													
	Amps	7.4	7.4	7.4	7.5	8.5	8.5	8.5	8.6	8.6	8.5	8.5	8.6	8.6	9.7	9.7	9.7	9.8	11.0	11.0	11.0	11.1	12.5	12.5	12.5	12.5	14.2	14.2	14.3	14.3	12.5	12.5	12.5	12.5	14.2	14.2	14.2	14.3	12.5	12.5	12.5	12.5	14.2	14.2	14.2	14.3													
1200	MBh	35.5	35.9	37.0	38.6	34.8	35.2	36.3	37.9	35.1	35.6	36.7	38.2	34.2	34.7	35.8	37.3	32.7	33.2	34.2	35.8	30.8	31.3	32.3	33.9	29.1	29.5	30.6	32.2	30.8	31.3	32.3	33.9	29.1	29.5	30.6	32.2	30.8	31.3	32.3	33.9	29.1	29.5	30.6	32.2														
	S/T	0.82	0.74	0.61	0.47	0.83	0.75	0.61	0.47	0.83	0.75	0.61	0.47	1.00	0.77	0.64	0.50	1.00	0.79	0.66	0.51	1.00	0.82	0.68	0.54	1.00	1.00	0.73	0.59	1.00	0.82	0.68	0.54	1.00	1.00	0.73	0.59	1.00	0.82	0.68	0.54	1.00	1.00	0.73	0.59														
	ΔT	2.3	2.1	1.8	1.4	2.3	2.1	1.7	1.4	2.3	2.1	1.8	1.4	2.3	2.1	1.8	1.4	2.3	2.1	1.7	1.4	2.3	2.1	1.7	1.4	2.4	2.2	1.8	1.5	2.4	2.2	1.8	1.5	2.3	2.1	1.7	1.4	2.4	2.2	1.8	1.5	2.3	2.1	1.7	1.4	2.4	2.2	1.8	1.5										
	KW	2.03	2.03	2.03	2.05	2.27	2.27	2.26	2.28	2.27	2.27	2.26	2.28	2.28	2.53	2.53	2.53	2.55	2.82	2.82	2.81	2.83	3.14	3.14	3.13	3.15	3.51	3.51	3.52	3.52	3.14	3.14	3.13	3.15	3.51	3.51	3.51	3.52	3.14	3.14	3.13	3.15	3.51	3.51	3.51	3.52													
	Amps	7.5	7.5	7.5	7.6	8.6	8.6	8.6	8.6	8.6	8.6	8.6	8.6	8.6	9.7	9.7	9.7	9.8	11.0	11.0	11.0	11.1	12.5	12.5	12.5	12.5	14.2	14.2	14.3	14.3	12.5	12.5	12.5	12.5	14.2	14.2	14.2	14.3	12.5	12.5	12.5	12.5	14.2	14.2	14.2	14.3													
1350	MBh	36.1	36.6	37.6	39.2	35.8	36.3	37.4	38.9	35.8	36.3	37.4	38.9	34.9	35.4	36.4	38.0	33.4	33.9	34.9	36.5	31.5	32.0	33.0	34.6	29.7	30.2	31.3	32.8	31.5	32.0	33.0	34.6	29.7	30.2	31.3	32.8	31.5	32.0	33.0	34.6	29.7	30.2	31.3	32.8														
	S/T	0.84	0.76	0.63	0.48	0.84	0.77	0.63	0.49	0.84	0.77	0.63	0.49	1.00	0.79	0.66	0.51																																										

IDB		OUTDOOR AMBIENT TEMPERATURE												105												115																
		65						75						85						95						105						115										
		ENTERING INDOOR WET BULB TEMPERATURE												105												115																
AIRFLOW	59	63	67	71	75	79	59	63	67	71	75	79	59	63	67	71	75	79	59	63	67	71	75	79	59	63	67	71	75	79	59	63	67	71	75	79						
80	MBh	35.2	35.7	36.8	38.3	34.9	35.4	36.5	38.0	34.0	34.5	35.6	37.1	32.5	33.0	34.0	35.6	30.6	31.1	32.1	33.7	28.8	29.3	30.4	31.9	30.6	31.1	32.1	33.7	28.8	29.3	30.4	31.9	30.6	31.1	32.1	33.7	28.8	29.3	30.4	31.9	
	S/T	0.92	0.84	0.71	0.6	1.00	0.85	0.71	0.57	1.00	0.87	0.74	0.6	1.00	0.89	0.76	0.61	1.00	1.00	1.00	0.78	0.6	1.00	1.00	0.83	0.69	1.00	1.00	0.78	0.6	1.00	1.00	0.83	0.69	1.00	1.00	0.78	0.6	1.00	1.00	0.83	0.69
	ΔT	28	26	23	19	28	26	22	19	28	26	23	19	28	26	22	19	28	27	25	22	18	29	27	23	20	28	26	22	18	29	27	23	20	28	26	22	18	29	27	23	20
	KW	2.03	2.03	2.02	2.0	2.26	2.26	2.26	2.28	2.53	2.53	2.52	2.5	2.81	2.81	2.81	2.83	3.13	3.13	3.13	3.13	3.1	3.51	3.50	3.50	3.52	3.13	3.13	3.13	3.1	3.51	3.50	3.50	3.52	3.13	3.13	3.13	3.1	3.51	3.50	3.50	3.52
	Amps	7.4	7.4	7.4	7.5	8.5	8.5	8.5	8.6	9.7	9.7	9.7	9.8	11.0	11.0	11.0	11.1	12.5	12.5	12.5	12.5	12.6	14.2	14.2	14.2	14.3	12.5	12.5	12.5	12.6	14.2	14.2	14.2	14.3	12.5	12.5	12.5	12.6	14.2	14.2	14.2	14.3
	HI PR	256	257	259	263	296	297	298	303	337	339	340	345	382	384	385	390	431	432	434	438	483	484	486	490	431	432	434	438	483	484	486	490	431	432	434	438	483	484	486	490	
	LO PR	122	124	127	132	130	131	134	139	136	137	140	146	141	143	146	151	147	148	151	156	153	155	158	163	147	148	151	156	153	155	158	163	147	148	151	156	153	155	158	163	
	MBh	35.6	36.1	37.2	38.7	35.3	35.8	36.8	38.4	34.4	34.9	35.9	37.5	32.9	33.4	34.4	36.0	31.0	31.5	32.5	34.1	29.2	29.7	30.8	32.3	31.0	31.5	32.5	34.1	29.2	29.7	30.8	32.3	31.0	31.5	32.5	34.1	29.2	29.7	30.8	32.3	
	S/T	1.00	0.87	0.73	0.6	1.00	0.87	0.74	0.60	1.00	0.90	0.76	0.6	1.00	0.92	0.78	0.64	1.00	1.00	0.81	0.7	1.00	1.00	0.86	0.72	1.00	1.00	0.81	0.7	1.00	1.00	0.86	0.72	1.00	1.00	0.81	0.7	1.00	1.00	0.86	0.72	
	ΔT	27	25	22	18	27	25	22	18	27	26	22	18	27	25	22	18	27	25	21	18	28	26	23	19	27	25	21	18	28	26	23	19	27	25	21	18	28	26	23	19	
KW	2.04	2.03	2.03	2.1	2.27	2.27	2.27	2.28	2.54	2.53	2.53	2.6	2.82	2.82	2.81	2.83	3.14	3.14	3.13	3.2	3.52	3.51	3.51	3.53	3.14	3.14	3.13	3.2	3.52	3.51	3.51	3.53	3.14	3.14	3.13	3.2	3.52	3.51	3.51	3.53		
Amps	7.5	7.5	7.5	7.5	8.6	8.6	8.5	8.6	9.8	9.8	9.7	9.8	11.1	11.1	11.0	11.1	12.5	12.5	12.5	12.6	14.2	14.2	14.2	14.3	12.5	12.5	12.5	12.6	14.2	14.2	14.2	14.3	12.5	12.5	12.5	12.6	14.2	14.2	14.2	14.3		
HI PR	257	258	260	265	297	298	300	304	339	340	342	346	384	385	387	391	432	434	435	440	484	485	487	492	432	434	435	440	484	485	487	492	432	434	435	440	484	485	487	492		
LO PR	124	125	128	133	131	132	135	141	137	139	142	147	143	144	147	152	148	150	153	158	155	156	159	164	147	148	151	156	153	155	158	164	147	148	151	156	153	155	158	164		
MBh	36.3	36.8	37.8	39.4	36.0	36.5	37.5	39.1	35.1	35.6	36.6	38.2	33.6	34.0	35.1	36.7	31.7	32.1	33.2	34.8	29.9	30.4	31.4	33.0	31.7	32.1	33.2	34.8	29.9	30.4	31.4	33.0	31.7	32.1	33.2	34.8	29.9	30.4	31.4	33.0		
S/T	1.00	0.89	0.75	0.6	1.00	0.89	0.76	0.61	1.00	0.92	0.78	0.6	1.00	1.00	0.80	0.66	1.00	1.00	0.82	0.7	1.00	1.00	0.88	0.73	1.00	1.00	0.82	0.7	1.00	1.00	0.88	0.73	1.00	1.00	0.82	0.7	1.00	1.00	0.88	0.73		
ΔT	26	24	21	17	26	24	21	17	27	25	21	17	26	24	21	17	26	24	20	17	27	25	22	18	26	24	20	17	27	25	22	18	26	24	20	17	27	25	22	18		
KW	2.05	2.04	2.04	2.1	2.28	2.28	2.28	2.29	2.55	2.54	2.54	2.6	2.83	2.83	2.83	2.84	3.15	3.15	3.14	3.2	3.52	3.52	3.52	3.54	3.15	3.15	3.14	3.2	3.52	3.52	3.52	3.54	3.15	3.15	3.14	3.2	3.52	3.52	3.52	3.54		
Amps	7.5	7.5	7.5	7.6	8.6	8.6	8.6	8.7	9.8	9.8	9.8	9.9	11.1	11.1	11.1	11.2	12.6	12.6	12.6	12.6	14.3	14.3	14.3	14.4	12.6	12.6	12.6	12.6	14.3	14.3	14.3	14.4	12.6	12.6	12.6	12.6	14.3	14.3	14.3	14.4		
HI PR	260	261	262	267	299	301	302	307	341	342	344	349	386	387	389	394	435	436	438	442	487	488	489	494	435	436	438	442	487	488	489	494	435	436	438	442	487	488	489	494		
LO PR	126	127	131	136	133	135	138	143	140	141	144	149	145	147	150	155	150	152	155	160	157	159	162	167	149	150	152	155	157	159	162	167	149	150	152	155	157	159	162	167		

IDB		OUTDOOR AMBIENT TEMPERATURE												105												115															
		65						75						85						95						105						115									
		ENTERING INDOOR WET BULB TEMPERATURE												105												115															
AIRFLOW	59	63	67	71	75	79	59	63	67	71	75	79	59	63	67	71	75	79	59	63	67	71	75	79	59	63	67	71	75	79	59	63	67	71	75	79					
85	MBh	35.8	36.3	37.3	38.9	35.5	36.0	37.0	38.6	34.6	35.1	36.1	37.7	33.1	33.5	34.6	36.2	31.2	31.7	32.7	34.3	29.4	29.9	30.9	32.5	31.2	31.7	32.7	34.3	29.4	29.9	30.9	32.5	31.2	31.7	32.7	34.3	29.4	29.9	30.9	32.5
	S/T	1.00	0.94	0.81	0.67	1.00	0.95	0.81	0.67	1.00	1.00	0.84	0.70	1.00	1.00	0.86	0.72	1.00	1.00	0.88	0.74	1.00	1.00	0.82	0.79	1.00	1.00	0.88	0.74	1.00	1.00	0.82	0.79	1.00	1.00	0.88	0.74	1.00	1.00	0.82	0.79
	ΔT	32	30	26	23	32	30	26	23	32	30	26	23	32	30	26	22	31	30	26	22	32	30	26	23	31	30	26	22	32	30	26	23	31	30	26	22	32	30	26	23
	KW	2.03	2.03	2.03	2.04	2.27	2.27	2.26	2.28	2.53	2.53	2.53	2.54	2.82	2.82	2.81	2.83	3.14	3.13	3.13	3.15	3.51	3.51	3.50	3.52	3.14	3.13	3.13	3.15	3.51	3.51	3.50	3.52	3.14	3.13	3.13	3.15	3.51	3.51	3.50	3.52
	Amps	7.5	7.5	7.4	7.5	8.5	8.5	8.5	8.6	9.8	9.7	9.7	9.8	11.1	11.1	11.0	11.1	12.5	12.5	12.5	12.6	14.2	14.2	14.2	14.3	12.5	12.5	12.5	12.6	14.2	14.2	14.2	14.3	12.5	12.5	12.5	12.6	14.2	14.2	14.2	14.3
	HI PR	257	258	260	264	297	298	300	304	339	340	341	346	384	385	386	391	432	433	435	439	484	485	487	491	432	433	435	439	484	485	487	491	432	433	435	439	484	485	487	491
	LO PR	124	126	129	134	131	133	136	141	138	139	142	147	143	145	148	153	148	150	153	158	155	157	160	165	147	148	151	156	153	155	158	165	147	148	151	156	153	155	158	165
	MBh	36.2	36.7	37.7	39.3	35.9	36.4	37.4	39.0	35.0	35.5	36.5	38.1	33.4	33.9	35.0	36.5	31.5	32.0	33.1	34.6	29.8	30.3	31.3	32.9	31.5	32.0	33.1	34.6	29.8	30.3	31.3	32.9	31.5	32.0	33.1	34.6	29.8	30.3	31.3	32.9
	S/T	1.00	0.97	0.83	0.69	1.00	0.98	0.84	0.70	1.00	1.00	0.87	0.72	1.00	1.00	0.89	0.74	1.00	1.00	0.91	0.76	1.00	1.00	0.82	0.82	1.00	1.00	0.91	0.76	1.00	1.00	0.82	0.82	1.00	1.00	0.91	0.76	1.00	1.00	0.82	0.82
	ΔT	31	29	26	22	31	29	25	22	31	29	26	22	31	29	25	22	31	29	25	22	32	30	26	23	31	29	25	22	32	30	26	23	31	29	25	22	32	30	26	23
KW	2.04	2.04	2.03	2.05	2.28	2.27	2.27	2.29	2.54	2.54	2.53	2.55	2.83	2.82	2.82	2.84	3.14	3.14	3.14	3.16	3.52	3.52	3.51	3.53	3.14	3.14	3.14	3.16	3.52	3.52	3.51	3.53	3.14								

IDB		OUTDOOR AMBIENT TEMPERATURE															105															115														
		65					75					85					95					105					115																			
		ENTERING INDOOR WET BULB TEMPERATURE																																												
AIRFLOW	59	63	67	71	59	63	67	71	59	63	67	71	59	63	67	71	59	63	67	71	59	63	67	71	59	63	67	71																		
1225	MBh	39.7	40.2	41.4	-	39.3	39.9	41.1	-	38.3	38.8	40.0	-	36.5	37.1	38.2	-	34.3	34.9	36.1	-	32.3	32.9	34.1	-	34.3	34.9	36.1	-	32.3	32.9	34.1	-	34.3	34.9	36.1	-	32.3	32.9	34.1	-					
	S/T	0.63	0.55	0.41	-	0.64	0.56	0.42	-	0.66	0.58	0.44	-	1.00	0.60	0.46	-	1.00	0.63	0.49	-	1.00	0.68	0.54	-	1.00	0.63	0.49	-	1.00	0.68	0.54	-	1.00	0.63	0.49	-	1.00	0.68	0.54	-					
	ΔT	20	18	15	-	20	18	15	-	20	18	15	-	20	18	15	-	20	18	14	-	21	19	15	-	20	18	14	-	21	19	15	-	20	18	14	-	21	19	15	-					
	KW	2.32	2.32	2.31	-	2.59	2.59	2.58	-	2.89	2.89	2.88	-	3.21	3.21	3.21	-	3.58	3.57	3.57	-	4.00	4.00	4.00	-	3.58	3.57	3.57	-	4.00	4.00	4.00	-	3.58	3.57	3.57	-	4.00	4.00	4.00	-					
	Amps	8.3	8.3	8.3	-	9.5	9.5	9.5	-	10.9	10.9	10.9	-	12.4	12.4	12.3	-	14.0	14.0	14.0	-	16.0	16.0	16.0	-	14.0	14.0	14.0	-	16.0	16.0	16.0	-	14.0	14.0	14.0	-	16.0	16.0	16.0	-					
1400	MBh	40.2	40.8	41.9	-	39.8	40.4	41.6	-	38.8	39.4	40.6	-	37.0	37.6	38.8	-	34.8	35.4	36.6	-	32.9	33.4	34.6	-	34.8	35.4	36.6	-	32.9	33.4	34.6	-	34.8	35.4	36.6	-	32.9	33.4	34.6	-					
	S/T	0.69	0.61	0.47	-	0.70	0.62	0.48	-	0.73	0.65	0.51	-	1.00	0.67	0.53	-	1.00	0.69	0.55	-	1.00	0.74	0.60	-	1.00	0.69	0.55	-	1.00	0.74	0.60	-	1.00	0.69	0.55	-	1.00	0.74	0.60	-					
	ΔT	19	17	13	-	19	17	13	-	19	17	14	-	19	17	13	-	18	17	13	-	20	18	14	-	18	17	13	-	20	18	14	-	18	17	13	-	20	18	14	-					
	KW	2.34	2.33	2.33	-	2.60	2.60	2.60	-	2.90	2.90	2.90	-	3.23	3.23	3.22	-	3.59	3.59	3.58	-	4.02	4.01	4.01	-	3.59	3.59	3.58	-	4.02	4.01	4.01	-	3.59	3.59	3.58	-	4.02	4.01	4.01	-					
	Amps	8.4	8.3	8.3	-	9.6	9.6	9.6	-	11.0	10.9	10.9	-	12.4	12.4	12.4	-	14.1	14.1	14.1	-	16.0	16.0	16.0	-	14.1	14.1	14.1	-	16.0	16.0	16.0	-	14.1	14.1	14.1	-	16.0	16.0	16.0	-					
1575	MBh	40.8	41.4	42.6	-	40.5	41.0	42.2	-	39.4	40.0	41.2	-	37.7	38.2	39.4	-	35.5	36.0	37.2	-	33.5	34.0	35.2	-	35.5	36.0	37.2	-	33.5	34.0	35.2	-	35.5	36.0	37.2	-	33.5	34.0	35.2	-					
	S/T	0.73	0.65	0.51	-	0.74	0.66	0.52	-	1.00	0.68	0.54	-	1.00	0.70	0.56	-	1.00	0.73	0.58	-	1.00	1.00	0.64	-	1.00	0.73	0.58	-	1.00	1.00	0.64	-	1.00	0.73	0.58	-	1.00	1.00	0.64	-					
	ΔT	18	16	13	-	18	16	12	-	18	16	13	-	18	16	12	-	17	16	12	-	19	17	13	-	17	16	12	-	19	17	13	-	17	16	12	-	19	17	13	-					
	KW	2.35	2.34	2.34	-	2.62	2.61	2.61	-	2.92	2.91	2.91	-	3.24	3.24	3.23	-	3.60	3.60	3.60	-	4.03	4.03	4.02	-	3.60	3.60	3.60	-	4.03	4.03	4.02	-	3.60	3.60	3.60	-	4.03	4.03	4.02	-					
	Amps	8.4	8.4	8.4	-	9.6	9.6	9.6	-	11.0	11.0	11.0	-	12.5	12.5	12.5	-	14.2	14.1	14.1	-	16.1	16.1	16.1	-	14.2	14.1	14.1	-	16.1	16.1	16.1	-	14.2	14.1	14.1	-	16.1	16.1	16.1	-					

IDB		OUTDOOR AMBIENT TEMPERATURE															105															115														
		65					75					85					95					105					115																			
		ENTERING INDOOR WET BULB TEMPERATURE																																												
AIRFLOW	59	63	67	71	59	63	67	71	59	63	67	71	59	63	67	71	59	63	67	71	59	63	67	71	59	63	67	71																		
1225	MBh	39.7	40.3	41.4	43.3	39.3	39.9	41.1	42.9	38.3	38.9	40.1	41.9	36.5	37.1	38.3	40.1	34.3	34.9	36.1	37.9	32.4	32.9	34.1	35.9	34.3	34.9	36.1	37.9	32.4	32.9	34.1	35.9	34.3	34.9	36.1	37.9	32.4	32.9	34.1	35.9					
	S/T	0.77	0.69	0.55	0.40	1.00	0.69	0.55	0.40	1.00	0.72	0.58	0.43	1.00	0.74	0.60	0.45	1.00	0.76	0.62	0.47	1.00	1.00	0.67	0.53	1.00	0.76	0.62	0.47	1.00	1.00	0.67	0.53	1.00	0.76	0.62	0.47	1.00	1.00	0.67	0.53					
	ΔT	24	22	19	15	24	22	19	15	24	22	19	15	24	21	19	15	24	22	18	15	25	23	19	16	24	22	18	15	25	23	19	16	24	22	18	15	25	23	19	16					
	KW	2.32	2.32	2.31	2.33	2.59	2.59	2.58	2.60	2.60	2.89	2.89	2.88	2.90	3.21	3.21	3.21	3.23	3.58	3.57	3.57	4.00	4.00	4.00	4.01	3.58	3.57	3.57	3.59	4.00	4.00	4.00	4.01	3.58	3.57	3.57	3.59	4.00	4.00	4.00	4.01					
	Amps	8.3	8.3	8.3	8.0	9.5	9.5	9.5	9.6	9.6	10.9	10.9	10.9	11.0	12.4	12.4	12.3	14.0	14.0	14.0	14.0	16.0	16.0	16.0	16.0	14.0	14.0	14.0	14.0	16.0	16.0	16.0	16.0	14.0	14.0	14.0	14.0	16.0	16.0	16.0	16.0					
1400	MBh	40.2	40.8	42.0	43.8	39.9	40.4	41.6	43.4	38.8	39.4	40.6	42.4	37.0	37.6	38.8	40.6	34.9	35.4	36.6	38.4	32.9	33.4	34.6	36.4	34.9	35.4	36.6	38.4	32.9	33.4	34.6	36.4	34.9	35.4	36.6	38.4	32.9	33.4	34.6	36.4					
	S/T	0.83	0.75	0.61	0.46	1.00	0.76	0.61	0.47	1.00	0.78	0.64	0.49	1.00	0.80	0.66	0.51	1.00	1.00	0.68	0.53	1.00	1.00	0.74	0.59	1.00	1.00	0.68	0.53	1.00	1.00	0.74	0.59	1.00	1.00	0.68	0.53	1.00	1.00	0.74	0.59					
	ΔT	23	21	17	14	23	21	17	14	23	21	18	14	23	21	17	14	22	21	17	14	24	22	18	15	22	21	17	14	24	22	18	15	22	21	17	14	24	22	18	15					
	KW	2.33	2.33	2.33	2.35	2.60	2.60	2.60	2.62	2.62	2.90	2.90	2.92	2.92	3.23	3.22	3.22	3.24	3.59	3.59	3.58	4.01	4.01	4.01	4.03	3.59	3.59	3.58	3.60	4.01	4.01	4.01	4.03	3.59	3.59	3.58	3.60	4.01	4.01	4.01	4.03					
	Amps	8.3	8.3	8.3	8.0	9.6	9.6	9.6	9.6	9.6	10.9	10.9	10.9	11.0	12.4	12.4	12.4	14.1	14.1	14.1	14.0	16.0	16.0	16.0	16.1	14.1	14.1	14.1	14.0	16.0	16.0	16.0	16.1	14.1	14.1	14.1	14.0	16.0	16.0	16.0	16.1					
1575	MBh	40.8	41.4	42.6	44.4	40.5	41.1	42.2	44.0	39.5	40.0	41.2	43.0	37.7	38.2	39.4	41.2	35.5	36.1	37.2	39.1	33.5	34.1	35.3	37.1	35.5	36.1	37.2	39.1	33.5	34.1	35.3	37.1	35.5	36.1	37.2	39.1	33.5	34.1	35.3	37.1					
	S/T	0.86	0.78	0.64	0.49	1.00	0.79	0.65	0.50	1.00	0.82	0.68	0.53	1.00	0.84	0.70	0.55	1.00	1.00	0.72	0.57	1.00	1.00	0.77	0.62	1.00	1.00	0.72	0.57	1.00	1.00	0.77	0.62	1.00	1.00	0.72	0.57	1.00	1.00	0.77	0.62					
	ΔT	22	20	17	13	22	20	17	13	22	20	17	13	22	20	16	13	21	20	16	13	23	21	17	14	21	20	16	13	23	21	17	14	21	20	16	13	23	21	17	14					
	KW	2.35	2.34	2.34	2.36	2.61	2.61	2.61	2.63	2.63	2.91	2.91	2.93	2.93	3.24	3.24	3.23	3.25	3.60	3.60	3.59	4.02	4.02	4.02	4.04	3.60	3.60	3.59	3.61	4.02	4.02	4.02	4.04	3.60	3.60	3.59	3.61	4.02	4.02	4.02	4.04					
	Amps	8.4	8.4	8.4	8.0	9.6	9.6	9.6	9.6	9.6	11.0	11.0	11.0	11.0	12.5	12.5	12.5	13.0	14.1	14.1	14.1	14.0	16.1	16.1	16.2	14.1	14.1	14.1	14.0	16.1	16.1	16.1	16.2	14.1	14.1	14.1	14.0	16.1	16.1	16.1	16.2					

IDB: Entering Indoor Dry Bulb Temperature
 High and low pressures are measured at the liquid and suction service valves.
 Shaded area reflects ACCA (TVA) conditions
 KW = Total system power
 Amps = outdoor unit amps (comp.+fan)

IDB	AIRFLOW	OUTDOOR AMBIENT TEMPERATURE												ENTERING INDOOR WET BULB TEMPERATURE											
		65				75				85				95				105				115			
		59	63	67	71	59	63	67	71	59	63	67	71	59	63	67	71	59	63	67	71	59	63	67	71
80	MBh	39.9	40.5	41.7	43.5	39.6	40.1	41.3	43.1	38.5	39.1	40.3	42.1	36.7	37.3	38.5	40.3	34.6	35.1	36.3	38.1	32.6	33.1	34.3	36.1
	S/T	1.00	0.82	0.68	0.5	1.00	0.82	0.68	0.53	1.00	0.85	0.71	0.6	1.00	1.00	0.73	0.58	1.00	1.00	0.75	0.6	1.00	1.00	0.81	0.66
	ΔT	28	26	23	19	28	26	23	19	28	26	23	19	28	26	23	19	28	26	23	19	29	27	23	20
	KW	2.32	2.32	2.31	2.3	2.59	2.59	2.58	2.60	2.89	2.89	2.88	2.9	3.21	3.21	3.21	3.23	3.58	3.57	3.57	3.6	4.00	4.00	4.00	4.02
	Amps	8.3	8.3	8.3	8.0	9.5	9.5	9.5	10.0	10.9	10.9	10.9	11.0	12.4	12.4	12.3	12.0	14.0	14.0	14.0	14.0	16.0	16.0	16.0	16.0
1225	HI PR	265	266	268	273	307	308	310	314	351	352	354	358	398	399	401	405	448	449	451	456	502	504	505	510
	LO PR	127	128	131	137	134	136	139	144	141	143	146	151	147	148	152	157	152	154	157	162	159	161	164	169
	MBh	40.4	41.0	42.2	44.0	40.1	40.6	41.8	43.6	39.0	39.6	40.8	42.6	37.3	37.8	39.0	40.8	35.1	35.6	36.8	38.6	33.1	33.6	34.8	36.6
	S/T	1.00	0.88	0.74	0.6	1.00	0.89	0.74	0.60	1.00	0.91	0.77	0.6	1.00	1.00	0.79	0.64	1.00	1.00	0.81	0.7	1.00	1.00	0.87	0.72
	ΔT	27	25	22	18	27	25	21	18	27	25	22	18	27	25	21	18	26	25	21	18	28	26	22	19
1400	KW	2.33	2.33	2.33	2.4	2.60	2.60	2.60	2.62	2.90	2.90	2.90	2.9	3.23	3.23	3.22	3.24	3.59	3.59	3.58	3.6	4.02	4.01	4.01	4.03
	Amps	8.4	8.3	8.3	8.0	9.6	9.6	9.6	10.0	11.0	11.0	10.9	11.0	12.4	12.4	12.4	12.0	14.1	14.1	14.1	14.0	16.0	16.0	16.0	16.1
	HI PR	267	268	270	275	309	310	312	317	353	354	356	360	400	401	403	407	451	452	454	458	505	506	508	512
	LO PR	129	130	133	139	136	138	141	146	143	144	148	153	149	150	153	159	154	156	159	164	161	163	166	171
	MBh	41.1	41.6	42.8	44.6	40.7	41.3	42.4	44.3	39.7	40.2	41.4	43.2	37.9	38.4	39.6	41.4	35.7	36.3	37.4	39.3	33.7	34.3	35.5	37.3
1575	S/T	1.00	0.91	0.77	0.6	1.00	0.92	0.78	0.63	1.00	1.00	0.81	0.7	1.00	1.00	0.83	0.68	1.00	1.00	0.85	0.7	1.00	1.00	1.00	0.75
	ΔT	26	24	21	17	26	24	21	17	26	24	21	17	26	24	21	17	26	24	20	17	27	25	21	18
	KW	2.35	2.34	2.34	2.4	2.62	2.61	2.61	2.63	2.92	2.91	2.91	2.9	3.24	3.24	3.23	3.25	3.60	3.60	3.60	3.6	4.03	4.03	4.02	4.00
	Amps	8.4	8.4	8.4	8.0	9.6	9.6	9.6	10.0	11.0	11.0	11.0	11.0	12.5	12.5	12.5	13.0	14.2	14.1	14.1	14.0	16.1	16.1	16.1	16.2
	HI PR	270	271	273	277	311	312	314	319	355	356	358	363	402	403	405	410	453	454	456	460	507	508	510	514
LO PR	131	132	135	141	138	140	143	148	145	147	150	155	151	152	155	161	156	158	161	166	163	165	168	173	

IDB	AIRFLOW	OUTDOOR AMBIENT TEMPERATURE												ENTERING INDOOR WET BULB TEMPERATURE											
		65				75				85				95				105				115			
		59	63	67	71	59	63	67	71	59	63	67	71	59	63	67	71	59	63	67	71	59	63	67	71
85	MBh	40.6	41.1	42.3	44.1	40.2	40.8	42.0	43.8	39.2	39.7	40.9	42.7	37.4	38.0	39.1	41.0	35.2	35.8	37.0	38.8	33.2	33.8	35.0	36.8
	S/T	1.00	0.92	0.78	0.63	1.00	1.00	0.79	0.64	1.00	1.00	0.81	0.67	1.00	1.00	0.83	0.69	1.00	1.00	0.77	0.71	1.00	1.00	1.00	0.82
	ΔT	31	30	26	23	31	30	26	23	32	30	26	23	31	30	26	23	31	29	26	22	32	30	27	24
	KW	2.33	2.32	2.32	2.34	2.59	2.59	2.59	2.61	2.89	2.89	2.89	2.91	3.22	3.22	3.21	3.23	3.58	3.58	3.58	3.60	4.01	4.01	4.00	4.02
	Amps	8.3	8.3	8.3	8.0	9.5	9.5	9.5	10.0	10.9	10.9	10.9	11.0	12.4	12.4	12.4	12.0	14.1	14.0	14.0	14.0	16.0	16.0	16.0	16.1
1225	HI PR	266	267	269	274	308	309	311	316	352	353	355	359	399	400	402	406	450	451	453	457	504	505	507	511
	LO PR	129	130	133	139	136	138	141	146	143	145	148	153	149	150	153	159	154	156	159	164	161	163	166	171
	MBh	41.1	41.7	42.8	44.7	40.7	41.3	42.5	44.3	39.7	40.3	41.5	43.3	37.9	38.5	39.7	41.5	35.7	36.3	37.5	39.3	33.8	34.3	35.5	37.3
	S/T	1.00	0.99	0.84	0.69	1.00	1.00	0.85	0.70	1.00	1.00	0.88	0.73	1.00	1.00	0.90	0.75	1.00	1.00	0.77	0.71	1.00	1.00	1.00	0.82
	ΔT	30	29	25	22	30	28	25	22	31	29	25	22	30	28	25	22	30	28	25	21	31	29	26	22
1400	KW	2.34	2.34	2.33	2.35	2.61	2.61	2.60	2.62	2.91	2.91	2.90	2.92	3.23	3.23	3.23	3.25	3.60	3.59	3.59	3.61	4.02	4.02	4.01	4.04
	Amps	8.4	8.4	8.3	8.0	9.6	9.6	9.6	10.0	11.0	11.0	10.9	11.0	12.5	12.5	12.4	13.0	14.1	14.1	14.1	14.0	16.1	16.1	16.0	16.1
	HI PR	269	270	272	276	310	311	313	318	354	355	357	362	401	402	404	409	452	453	455	459	506	507	509	514
	LO PR	130	132	135	141	138	140	143	148	145	146	150	155	150	152	155	161	156	158	161	166	163	165	168	173
	MBh	41.7	42.3	43.5	45.3	41.4	41.9	43.1	44.9	40.3	40.9	42.1	43.9	38.5	39.1	40.3	42.1	36.4	36.9	38.1	39.9	34.4	34.9	36.1	37.9
1575	S/T	1.00	1.00	0.88	0.73	1.00	1.00	0.89	0.74	1.00	1.00	0.91	0.76	1.00	1.00	0.93	0.78	1.00	1.00	0.81	0.81	1.00	1.00	1.00	0.86
	ΔT	29	28	24	21	29	28	24	21	30	28	24	21	29	28	24	21	29	27	24	20	30	28	25	21
	KW	2.35	2.35	2.34	2.37	2.62	2.62	2.61	2.63	2.92	2.92	2.91	2.93	3.24	3.24	3.24	3.26	3.61	3.61	3.60	3.62	4.03	4.03	4.03	4.05
	Amps	8.4	8.4	8.4	8.0	9.7	9.6	9.6	10.0	11.0	11.0	11.0	11.0	12.5	12.5	12.5	13.0	14.2	14.2	14.1	14.0	16.1	16.1	16.1	16.2
	HI PR	271	272	274	278	312	314	315	320	356	357	359	364	403	404	406	411	454	455	457	462	508	509	511	516
LO PR	132	134	137	143	140	142	145	150	147	148	152	157	153	154	157	163	158	160	163	168	165	167	170	175	

IDB: Entering Indoor Dry Bulb Temperature
 High and low pressures are measured at the liquid and suction service valves.
 Shaded area reflects AHRI conditions
 KW = Total system power
 Amps = outdoor unit amps (comp.+fan)

IDB		OUTDOOR AMBIENT TEMPERATURE												105												115											
		65						75						85						95						105						115					
		AIRFLOW		59	63	67	71	59	63	67	71	59	63	67	71	59	63	67	71	59	63	67	71	59	63	67	71	59	63	67	71	59	63	67	71		
70	1225	MBh	39.7	40.2	41.4	43.3	39.3	39.9	41.1	42.9	38.3	38.8	40.0	-	36.5	37.1	38.2	-	34.3	34.9	36.1	-	32.3	32.9	34.1	-	32.3	32.9	34.1	-	32.3	32.9	34.1	-			
		S/T	0.63	0.55	0.41	-	0.64	0.56	0.42	-	0.66	0.58	0.44	-	1.00	0.60	0.46	-	1.00	0.63	0.49	-	1.00	0.68	0.54	-	1.00	0.68	0.54	-	1.00	0.68	0.54	-			
		ΔT	20	18	15	-	20	18	15	-	20	18	15	-	20	18	15	-	20	18	14	-	21	19	15	-	21	19	15	-	21	19	15	-			
		KW	2.32	2.32	2.31	-	2.59	2.59	2.58	-	2.89	2.89	2.88	-	3.21	3.21	3.21	-	3.58	3.57	3.57	-	4.00	4.00	4.00	-	4.00	4.00	4.00	-	4.00	4.00	4.00	-			
		Amps	8.3	8.3	8.3	-	9.5	9.5	9.5	-	10.9	10.9	10.9	-	12.4	12.4	12.3	-	14.0	14.0	14.0	-	16.0	16.0	16.0	-	16.0	16.0	16.0	-	16.0	16.0	16.0	-			
		HI PR	267	266	267	-	306	307	309	-	350	351	353	-	397	398	400	-	448	449	451	-	502	503	505	-	502	503	505	-	502	503	505	-			
	LO PR	126	128	131	-	134	135	139	-	140	142	145	-	146	148	151	-	152	153	157	-	159	160	163	-	159	160	163	-	159	160	163	-				
	1400	MBh	40.2	40.8	41.9	-	39.8	40.4	41.6	-	38.8	39.4	40.6	-	37.0	37.6	38.8	-	34.8	35.4	36.6	-	32.9	33.4	34.6	-	32.9	33.4	34.6	-	32.9	33.4	34.6	-			
		S/T	0.69	0.61	0.47	-	0.70	0.62	0.48	-	0.73	0.65	0.51	-	1.00	0.67	0.53	-	1.00	0.69	0.55	-	1.00	0.74	0.60	-	1.00	0.74	0.60	-	1.00	0.74	0.60	-			
		ΔT	19	17	13	-	19	17	13	-	19	17	14	-	19	17	13	-	18	17	13	-	20	18	14	-	20	18	14	-	20	18	14	-			
		KW	2.34	2.33	2.33	-	2.60	2.60	2.60	-	2.90	2.90	2.90	-	3.23	3.23	3.22	-	3.59	3.59	3.58	-	4.02	4.01	4.01	-	4.02	4.01	4.01	-	4.02	4.01	4.01	-			
		Amps	8.4	8.3	8.3	-	9.6	9.6	9.6	-	11.0	10.9	10.9	-	12.4	12.4	12.4	-	14.1	14.1	14.1	-	16.0	16.0	16.0	-	16.0	16.0	16.0	-	16.0	16.0	16.0	-			
HI PR		267	268	270	-	308	309	311	-	352	353	355	-	399	400	402	-	450	451	453	-	504	505	507	-	504	505	507	-	504	505	507	-				
LO PR	128	130	133	-	136	137	140	-	142	144	147	-	148	150	153	-	154	155	158	-	161	162	165	-	161	162	165	-	161	162	165	-					
1575	MBh	40.8	41.4	42.6	-	40.5	41.0	42.2	-	39.4	40.0	41.2	-	37.7	38.2	39.4	-	35.5	36.0	37.2	-	33.5	34.0	35.2	-	33.5	34.0	35.2	-	33.5	34.0	35.2	-				
	S/T	0.73	0.65	0.51	-	0.74	0.66	0.52	-	1.00	0.68	0.54	-	1.00	0.70	0.56	-	1.00	0.73	0.58	-	1.00	1.00	0.64	-	1.00	1.00	0.64	-	1.00	1.00	0.64	-				
	ΔT	18	16	13	-	18	16	12	-	18	16	13	-	18	16	12	-	17	16	12	-	19	17	13	-	19	17	13	-	19	17	13	-				
	KW	2.35	2.34	2.34	-	2.62	2.61	2.61	-	2.92	2.91	2.91	-	3.24	3.24	3.23	-	3.60	3.60	3.60	-	4.03	4.03	4.02	-	4.03	4.03	4.02	-	4.03	4.03	4.02	-				
	Amps	8.4	8.4	8.4	-	9.6	9.6	9.6	-	11.0	11.0	11.0	-	12.5	12.5	12.5	-	14.2	14.1	14.1	-	16.1	16.1	16.1	-	16.1	16.1	16.1	-	16.1	16.1	16.1	-				
	HI PR	269	270	272	-	311	312	314	-	354	355	357	-	401	402	404	-	452	453	455	-	506	507	509	-	506	507	509	-	506	507	509	-				
LO PR	130	132	135	-	138	139	142	-	144	146	149	-	150	152	155	-	156	157	160	-	163	164	167	-	163	164	167	-	163	164	167	-					
75	1225	MBh	39.7	40.3	41.4	43.3	39.3	39.9	41.1	42.9	38.3	38.9	40.1	41.9	36.5	37.1	38.3	40.1	34.3	34.9	36.1	37.9	32.4	32.9	34.1	35.9	32.4	32.9	34.1	35.9							
		S/T	0.77	0.69	0.55	0.40	1.00	0.69	0.55	0.40	1.00	0.72	0.58	0.43	1.00	0.74	0.60	0.45	1.00	0.76	0.62	0.47	1.00	1.00	0.67	0.53	1.00	1.00	0.67	0.53							
		ΔT	24	22	19	15	24	22	19	15	24	22	19	15	24	22	19	15	24	22	18	15	25	23	19	16	25	23	19	16							
		KW	2.32	2.32	2.31	2.33	2.59	2.59	2.58	2.60	2.89	2.89	2.88	2.90	3.21	3.21	3.21	3.23	3.58	3.57	3.57	3.59	4.00	4.00	3.99	4.01	4.00	4.00	3.99	4.01							
		Amps	8.3	8.3	8.3	8.0	9.5	9.5	9.5	9.6	10.9	10.9	10.9	11.0	12.4	12.4	12.3	12.4	14.0	14.0	14.0	14.0	16.0	16.0	15.9	16.0	16.0	16.0	15.9	16.0							
		HI PR	265	266	268	272	306	307	309	314	350	351	353	358	397	398	400	405	448	449	451	455	502	503	505	510	502	503	505	510							
	LO PR	126	128	131	136	134	135	139	144	141	142	145	151	146	148	151	156	152	153	157	162	159	160	164	169	159	160	164	169								
	1400	MBh	40.2	40.8	42.0	43.8	39.9	40.4	41.6	43.4	38.8	39.4	40.6	42.4	37.0	37.6	38.8	40.6	34.9	35.4	36.6	38.4	32.9	33.4	34.6	36.4	32.9	33.4	34.6	36.4							
		S/T	0.83	0.75	0.61	0.46	1.00	0.76	0.61	0.47	1.00	0.78	0.64	0.49	1.00	0.80	0.66	0.51	1.00	1.00	0.68	0.53	1.00	1.00	0.74	0.59	1.00	1.00	0.74	0.59							
		ΔT	23	21	17	14	23	21	17	14	23	21	18	14	23	21	17	14	22	21	17	14	24	22	18	15	24	22	18	15							
		KW	2.33	2.33	2.33	2.35	2.60	2.60	2.60	2.62	2.90	2.90	2.90	2.92	3.23	3.22	3.22	3.24	3.59	3.59	3.58	3.60	4.01	4.01	4.01	4.03	4.01	4.01	4.01	4.03							
		Amps	8.3	8.3	8.3	8.0	9.6	9.6	9.5	10.0	10.9	10.9	10.9	11.0	12.4	12.4	12.4	12.0	14.1	14.1	14.1	14.0	16.0	16.0	16.0	16.1	16.0	16.0	16.0	16.1							
HI PR		267	268	270	274	309	310	312	316	352	353	355	360	399	400	402	407	450	451	453	458	504	505	507	512	504	505	507	512								
LO PR	128	130	133	138	136	137	140	146	142	144	147	153	148	150	153	158	154	155	158	164	161	162	165	171	161	162	165	171									
1575	MBh	40.8	41.4	42.6	44.4	40.5	41.1	42.2	44.0	39.5	40.0	41.2	43.0	37.7	38.2	39.4	41.2	35.5	36.1	37.2	39.1	33.5	34.1	35.3	37.1	33.5	34.1	35.3	37.1								
	S/T	0.86	0.78	0.64	0.49	1.00	0.79	0.65	0.50	1.00	0.82	0.68	0.53	1.00	0.84	0.70	0.55	1.00	1.00	0.72	0.57	1.00	1.00	0.77	0.62	1.00	1.00	0.77	0.62								
	ΔT	22	20	17	13	22	20	17	13	22	20	17	13	22	20	16	13	21	20	16	13	23	21	17	14	23	21	17	14								
	KW	2.35	2.34	2.34	2.36	2.61	2.61	2.61	2.63	2.91	2.91	2.91	2.93	3.24	3.24	3.23	3.25	3.60	3.60	3.59	3.61	4.03	4.02	4.02	4.04	4.03	4.02	4.02	4.04								
	Amps	8.4	8.4	8.4	8.0	9.6	9.6	9.6	10.0	11.0	11.0	11.0	11.0	12.5	12.5	12.5	13.0	14.1	14.1	14.1	14.0	16.1	16.1	16.1	16.2	16.1	16.1	16.1	16.2								
	HI PR	269	270	272	277	311	312	314	318	354	356	357	362	402	403	405	409	452	453	455	460	506	508	509	514	506	508	509	514								
LO PR	130	132	135	140	138	139	142	148	144	146	149	155	150	152	155	160	156	157	160	166	163	164	167	173	163	164	167	173									

IDB: Entering Indoor Dry Bulb Temperature
 High and low pressures are measured at the liquid and suction service valves.
 Shaded area reflects ACCA (TVA) conditions
 kW = Total system power
 Amps = outdoor unit amps (comp.+fan)

IDB		OUTDOOR AMBIENT TEMPERATURE												105												115											
		65						75						85						95						105						115					
		AIRFLOW		59	63	67	71	59	63	67	71	59	63	67	71	59	63	67	71	59	63	67	71	59	63	67	71	59	63	67	71	59	63	67	71		
		ENTERING INDOOR WET BULB TEMPERATURE																																			
80	MBh	39.9	40.5	41.7	43.5	39.6	40.1	41.3	43.1	38.5	39.1	40.3	42.1	36.7	37.3	38.5	40.3	34.6	35.1	36.3	38.1	32.6	33.1	34.3	36.1	30.6	31.1	32.3	34.1	28.6	29.1	30.3	32.1				
	S/T	1.00	0.82	0.68	0.5	1.00	0.82	0.68	0.53	1.00	0.85	0.71	0.6	1.00	1.00	0.73	0.58	1.00	1.00	0.75	0.6	1.00	1.00	0.81	0.66	1.00	1.00	0.75	0.6	1.00	1.00	0.81	0.66				
	ΔT	28	26	23	19	28	26	23	19	28	26	23	19	28	26	23	19	28	26	23	19	28	26	23	19	28	26	23	19	28	26	23	20				
	KW	2.32	2.32	2.31	2.3	2.59	2.59	2.58	2.60	2.89	2.89	2.88	2.9	3.21	3.21	3.21	3.23	3.58	3.57	3.57	3.6	4.00	4.00	4.00	4.02	4.48	4.49	4.51	4.56	5.02	5.04	5.05	5.10				
	Amps	8.3	8.3	8.3	8.0	9.5	9.5	9.5	10.0	10.9	10.9	10.9	11.0	12.4	12.4	12.3	12.0	14.0	14.0	14.0	14.0	16.0	16.0	16.0	16.0	18.0	18.0	18.0	18.0	20.0	20.0	20.0	20.0				
	HI PR	265	266	268	273	307	308	310	314	351	352	354	358	398	399	401	405	448	449	451	456	502	504	505	510	558	560	561	566	616	618	619	624				
	LO PR	127	128	131	137	134	136	139	144	141	143	146	151	147	148	152	157	152	154	157	162	159	161	164	169	166	168	171	176	173	175	178	183				
1400	MBh	40.4	41.0	42.2	44.0	40.1	40.6	41.8	43.6	39.0	39.6	40.8	42.6	37.3	37.8	39.0	40.8	35.1	35.6	36.8	38.6	33.1	33.6	34.8	36.6	31.1	31.6	32.8	34.6	29.1	29.6	30.8	32.6				
	S/T	1.00	0.88	0.74	0.6	1.00	0.89	0.74	0.60	1.00	0.91	0.77	0.6	1.00	1.00	0.79	0.64	1.00	1.00	0.81	0.7	1.00	1.00	0.87	0.72	1.00	1.00	0.81	0.66	1.00	1.00	0.87	0.72				
	ΔT	27	25	22	18	27	25	21	18	27	25	22	18	27	25	21	18	26	25	21	18	26	25	21	18	26	25	21	18	26	25	21	18				
	KW	2.33	2.33	2.33	2.4	2.60	2.60	2.60	2.62	2.90	2.90	2.90	2.9	3.23	3.23	3.23	3.24	3.59	3.59	3.58	3.6	4.02	4.01	4.01	4.03	4.48	4.49	4.51	4.56	5.02	5.04	5.05	5.10				
	Amps	8.4	8.3	8.3	8.0	9.6	9.6	9.6	10.0	11.0	11.0	11.0	11.0	12.4	12.4	12.4	12.0	14.1	14.1	14.1	14.0	16.0	16.0	16.0	16.0	18.0	18.0	18.0	18.0	20.0	20.0	20.0	20.0				
	HI PR	267	268	270	275	309	310	312	317	353	354	356	360	400	401	403	407	451	452	454	458	505	506	508	512	560	562	563	568	618	620	621	626				
	LO PR	129	130	133	139	136	138	141	146	143	144	148	153	149	150	153	159	154	156	159	164	161	163	166	171	168	170	173	178	183	185	188	193				
1575	MBh	41.1	41.6	42.8	44.6	40.7	41.3	42.4	44.3	39.7	40.2	41.4	43.2	37.9	38.4	39.6	41.4	35.7	36.3	37.4	39.3	33.7	34.3	35.5	37.3	31.7	32.3	33.5	35.3	29.7	30.3	31.5	33.3				
	S/T	1.00	0.91	0.77	0.6	1.00	0.92	0.78	0.63	1.00	1.00	0.81	0.7	1.00	1.00	0.83	0.68	1.00	1.00	0.85	0.7	1.00	1.00	0.91	0.76	1.00	1.00	0.85	0.7	1.00	1.00	0.91	0.76				
	ΔT	26	24	21	17	26	24	21	17	26	24	21	17	26	24	21	17	26	24	20	17	26	25	21	18	26	25	21	18	26	25	21	18				
	KW	2.35	2.34	2.34	2.4	2.62	2.61	2.61	2.63	2.92	2.91	2.91	2.9	3.24	3.24	3.23	3.25	3.60	3.60	3.60	3.6	4.03	4.03	4.03	4.04	4.48	4.49	4.51	4.56	5.02	5.04	5.05	5.10				
	Amps	8.4	8.4	8.4	8.0	9.6	9.6	9.6	10.0	11.0	11.0	11.0	11.0	12.5	12.5	12.5	13.0	14.2	14.1	14.1	14.0	16.1	16.1	16.1	16.2	18.0	18.0	18.0	18.0	20.0	20.0	20.0	20.0				
	HI PR	270	271	273	277	311	312	314	319	355	356	358	363	402	403	405	410	453	454	456	460	507	508	510	514	562	564	565	570	618	620	621	626				
	LO PR	131	132	135	141	138	140	143	148	145	147	150	155	151	152	155	161	156	158	161	166	163	165	168	173	170	172	175	180	185	187	190	195				

IDB		OUTDOOR AMBIENT TEMPERATURE												105												115											
		65						75						85						95						105						115					
		AIRFLOW		59	63	67	71	59	63	67	71	59	63	67	71	59	63	67	71	59	63	67	71	59	63	67	71	59	63	67	71	59	63	67	71		
		ENTERING INDOOR WET BULB TEMPERATURE																																			
85	MBh	40.6	41.1	42.3	44.1	40.2	40.8	42.0	43.8	39.2	39.7	40.9	42.7	37.4	38.0	39.1	41.0	35.2	35.8	37.0	38.8	33.2	33.8	35.0	36.8	31.2	31.8	33.0	34.8	29.2	29.8	31.0	32.8				
	S/T	1.00	0.92	0.78	0.63	1.00	1.00	0.79	0.64	1.00	1.00	0.81	0.67	1.00	1.00	0.83	0.69	1.00	1.00	0.85	0.71	1.00	1.00	0.91	0.76	1.00	1.00	0.85	0.71	1.00	1.00	0.91	0.76				
	ΔT	31	30	26	23	31	30	26	23	32	30	26	23	31	30	26	23	31	29	26	22	32	30	27	24	32	30	27	24	32	30	27	24				
	KW	2.33	2.32	2.32	2.34	2.59	2.59	2.59	2.61	2.89	2.89	2.89	2.91	3.22	3.22	3.21	3.23	3.58	3.58	3.58	3.60	4.01	4.01	4.01	4.02	4.48	4.49	4.51	4.56	5.02	5.04	5.05	5.10				
	Amps	8.3	8.3	8.3	8.0	9.5	9.5	9.5	10.0	10.9	10.9	10.9	11.0	12.4	12.4	12.4	12.0	14.1	14.0	14.0	14.0	16.0	16.0	16.0	16.0	18.0	18.0	18.0	18.0	20.0	20.0	20.0	20.0				
	HI PR	266	267	269	274	308	309	311	316	352	353	355	359	399	400	402	406	450	451	453	457	504	505	507	511	560	562	563	568	618	620	621	626				
	LO PR	129	130	133	139	136	138	141	146	143	145	148	153	149	150	153	159	154	156	159	164	161	163	166	171	168	170	173	178	183	185	188	193				
1400	MBh	41.1	41.7	42.8	44.7	40.7	41.3	42.5	44.3	39.7	40.3	41.5	43.3	37.9	38.5	39.7	41.5	35.7	36.3	37.5	39.3	33.8	34.3	35.5	37.3	31.8	32.3	33.5	35.3	29.8	30.3	31.5	33.3				
	S/T	1.00	0.99	0.84	0.69	1.00	1.00	0.85	0.70	1.00	1.00	0.88	0.73	1.00	1.00	0.90	0.75	1.00	1.00	0.92	0.77	1.00	1.00	0.97	0.82	1.00	1.00	0.92	0.77	1.00	1.00	0.97	0.82				
	ΔT	30	29	25	22	30	28	25	22	31	29	25	22	30	28	25	22	30	28	25	21	31	29	26	22	31	29	26	22	31	29	26	22				
	KW	2.34	2.34	2.33	2.35	2.61	2.61	2.60	2.62	2.91	2.91	2.90	2.92	3.23	3.23	3.23	3.25	3.60	3.59	3.59	3.61	4.02	4.02	4.02	4.04	4.48	4.49	4.51	4.56	5.02	5.04	5.05	5.10				
	Amps	8.4	8.4	8.3	8.0	9.6	9.6	9.6	10.0	11.0	11.0	11.0	11.0	12.5	12.5	12.4	13.0	14.1	14.1	14.1	14.0	16.1	16.1	16.1	16.2	18.0	18.0	18.0	18.0	20.0	20.0	20.0	20.0				
	HI PR	269	270	272	276	310	311	313	318	354	355	357	362	401	402	404	409	452	453	455	459	506	507	509	514	562	564	565	570	618	620	621	626				
	LO PR	130	132	135	141	138	140	143	148	145	146	150	155	150	152	155	161	156	158	161	166	163	165	168	173	170	172	175	180	185	187	190	195				
1575	MBh	41.7	42.3	43.5	45.3	41.4	41.9	43.1	44.9	40.3	40.9	42.1	43.9	38.5	39.1	40.3	42.1	36.4	36.9	38.1	39.9	34.4	34.9	36.1	37.9	32.4	32.9	34.1	35.9	30.4	30.9	32.1	33.9				
	S/T	1.00	1.00	0.88	0.73	1.00	1.00	0.89	0.74	1.00	1.00	0.91	0.76	1.00	1.00	0.93	0.78	1.00	1.00	0.95	0.81	1.00	1.00	0.99	0.86	1.00	1.00	0.95	0.81	1.00	1.00	0.99	0.86				
	ΔT	29	28	24	21	29	28	24	21	30	28	24	21	29	28	24	21	29	27	24	20	30	28	25	21	30	28	25	21	30	28	25	21				
	KW	2.35	2.35	2.34	2.37	2.62	2.62	2.61	2.63	2.92	2.92	2.91	2.93	3.24	3.24	3.24	3.26	3.61	3.61	3.60																	

IDB		OUTDOOR AMBIENT TEMPERATURE												ENTERING INDOOR WET BULB TEMPERATURE												
		65				75				85				95				105				115				
		59	63	67	71	59	63	67	71	59	63	67	71	59	63	67	71	59	63	67	71	59	63	67	71	
70	1400	MBh	46.4	47.1	48.5	-	46.0	46.7	48.0	-	44.8	45.4	46.8	-	42.7	43.4	44.8	-	40.2	40.8	42.2	-	37.9	38.5	39.9	-
		S/T	0.61	0.54	0.41	-	0.62	0.55	0.41	-	0.65	0.57	0.44	-	0.66	0.59	0.46	-	1.00	0.61	0.48	-	1.00	0.66	0.53	-
		ΔT	19	17	14	-	19	17	14	-	19	18	14	-	19	17	14	-	19	17	14	-	20	18	15	-
		KW	2.77	2.77	2.76	-	3.09	3.08	3.08	-	3.44	3.44	3.43	-	3.83	3.82	3.82	-	4.26	4.25	4.25	-	4.76	4.76	4.75	-
		Amps	10.1	10.1	10.0	-	11.5	11.5	11.5	-	13.2	13.2	13.1	-	14.9	14.9	14.9	-	16.9	16.9	16.9	-	19.2	19.2	19.2	-
	1550	HI PR	257	259	260	-	298	299	301	-	341	342	343	-	386	387	389	-	436	437	438	-	488	489	491	-
		LO PR	123	125	128	-	131	132	136	-	137	139	142	-	143	145	148	-	148	150	153	-	155	157	160	-
		MBh	46.9	47.6	48.9	-	46.5	47.1	48.5	-	45.3	45.9	47.3	-	43.2	43.9	45.2	-	40.7	41.3	42.7	-	38.3	39.0	40.4	-
		S/T	0.66	0.58	0.45	-	0.66	0.59	0.45	-	0.69	0.61	0.48	-	1.00	0.63	0.50	-	1.00	0.65	0.52	-	1.00	0.71	0.57	-
		ΔT	18	17	13	-	18	17	13	-	19	17	13	-	18	17	13	-	18	16	13	-	19	17	14	-
1800	KW	2.78	2.78	2.77	-	3.10	3.10	3.09	-	3.45	3.45	3.45	-	3.84	3.84	3.83	-	4.27	4.27	4.26	-	4.77	4.77	4.76	-	
	Amps	10.1	10.1	10.1	-	11.6	11.6	11.6	-	13.2	13.2	13.2	-	15.0	15.0	14.9	-	16.9	16.9	16.9	-	19.3	19.2	19.2	-	
	HI PR	259	260	262	-	300	301	303	-	342	343	345	-	388	389	391	-	437	438	440	-	490	491	493	-	
	LO PR	125	126	129	-	132	134	137	-	139	140	144	-	144	146	149	-	150	151	154	-	157	158	161	-	
	MBh	47.9	48.5	49.9	-	47.5	48.1	49.5	-	46.2	46.9	48.3	-	44.2	44.8	46.2	-	41.6	42.3	43.7	-	39.3	40.0	41.3	-	
75	1400	S/T	0.70	0.62	0.49	-	0.70	0.63	0.49	-	0.73	0.65	0.52	-	1.00	0.67	0.54	-	1.00	0.69	0.56	-	1.00	0.74	0.61	-
		ΔT	17	15	12	-	17	15	12	-	17	16	12	-	17	15	12	-	17	15	12	-	18	16	13	-
		KW	2.80	2.80	2.79	-	3.12	3.11	3.11	-	3.47	3.47	3.46	-	3.86	3.85	3.85	-	4.29	4.28	4.28	-	4.79	4.79	4.78	-
		Amps	10.2	10.2	10.2	-	11.7	11.7	11.6	-	13.3	13.3	13.3	-	15.1	15.0	15.0	-	17.0	17.0	17.0	-	19.3	19.3	19.3	-
		HI PR	262	263	265	-	302	304	305	-	345	346	348	-	391	392	394	-	440	441	443	-	493	494	496	-
	1550	LO PR	127	129	132	-	135	136	140	-	141	143	146	-	147	149	152	-	152	154	157	-	159	161	164	-
		MBh	46.4	47.1	48.5	50.6	46.0	46.7	48.1	50.2	44.8	45.5	46.9	49.0	42.7	43.4	44.8	46.9	40.2	40.9	42.2	44.4	37.9	38.5	39.9	42.0
		S/T	0.74	0.67	0.53	0.39	0.75	0.67	0.54	0.40	1.00	0.70	0.56	0.42	1.00	0.72	0.58	0.44	1.00	0.74	0.60	0.46	1.00	1.00	0.66	0.51
		ΔT	23	21	18	15	23	21	18	14	23	22	18	15	23	22	18	14	23	21	18	14	24	22	19	15
		KW	2.77	2.76	2.76	2.78	3.08	3.08	3.08	3.10	3.44	3.44	3.43	3.46	3.82	3.82	3.82	3.84	4.25	4.25	4.25	4.27	4.76	4.76	4.75	4.77
1800	Amps	10.1	10.1	10.0	10.1	11.5	11.5	11.5	11.6	13.2	13.1	13.1	13.2	14.9	14.9	15.0	15.0	16.9	16.9	16.8	17.0	19.2	19.2	19.1	19.3	
	HI PR	258	259	261	265	298	299	301	306	341	342	344	348	386	388	389	394	436	437	439	443	488	490	491	496	
	LO PR	123	125	128	133	131	132	136	141	137	139	142	147	143	145	148	153	148	150	153	158	155	157	160	165	
	MBh	46.9	47.6	49.0	51.1	46.5	47.2	48.5	50.7	45.3	46.0	47.3	49.5	43.2	43.9	45.3	47.4	40.7	41.3	42.7	44.8	38.4	39.0	40.4	42.5	
	S/T	0.79	0.71	0.58	0.44	0.79	0.72	0.58	0.44	1.00	0.74	0.61	0.47	1.00	0.76	0.63	0.49	1.00	0.78	0.65	0.51	1.00	1.00	0.70	0.56	
75	1400	ΔT	22	21	17	14	22	20	17	14	23	21	17	14	22	20	17	14	22	20	17	13	23	21	18	15
		KW	2.78	2.78	2.77	2.80	3.10	3.09	3.09	3.11	3.45	3.45	3.44	3.47	3.84	3.83	3.83	3.85	4.27	4.26	4.26	4.28	4.77	4.77	4.76	4.79
		Amps	10.1	10.1	10.1	10.2	11.6	11.6	11.5	11.7	13.2	13.2	13.2	13.3	15.0	14.9	15.0	15.0	16.9	16.9	16.9	17.0	19.2	19.2	19.2	19.3
		HI PR	259	260	262	267	300	301	303	307	342	344	345	350	388	389	391	396	437	439	440	445	490	491	493	498
		LO PR	125	126	129	135	132	134	137	142	139	140	144	149	144	146	149	154	150	151	155	160	157	158	161	167
	1550	MBh	47.9	48.5	49.9	52.0	47.5	48.1	49.5	51.6	46.3	46.9	48.3	50.4	44.2	44.8	46.2	48.3	41.7	42.3	43.7	45.8	39.3	40.0	41.4	43.5
		S/T	0.82	0.75	0.62	0.47	1.00	0.76	0.62	0.48	1.00	0.78	0.65	0.50	1.00	0.80	0.67	0.52	1.00	0.82	0.69	0.55	1.00	1.00	0.74	0.60
		ΔT	21	19	16	13	21	19	16	12	21	20	16	13	21	19	16	12	21	19	16	12	22	20	17	13
		KW	2.80	2.79	2.79	2.81	3.11	3.11	3.11	3.13	3.47	3.47	3.46	3.49	3.85	3.85	3.85	3.87	4.28	4.28	4.28	4.30	4.79	4.79	4.78	4.80
		Amps	10.2	10.2	10.2	10.3	11.7	11.7	11.6	11.7	13.3	13.3	13.3	13.4	15.1	15.0	15.1	15.1	17.0	17.0	17.0	17.1	19.3	19.3	19.3	19.4
1800	HI PR	262	263	265	270	303	304	306	310	345	346	348	353	391	392	394	398	440	441	443	448	493	494	496	500	
	LO PR	127	129	132	137	135	136	140	145	142	143	146	151	147	149	152	157	152	154	157	162	159	161	164	169	

IDB: Entering Indoor Dry Bulb Temperature
 High and low pressures are measured at the liquid and suction service valves.
 Shaded area reflects ACCA (TVA) conditions
 KW = Total system power
 Amps = outdoor unit amps (comp.+fan)

IDB		OUTDOOR AMBIENT TEMPERATURE												ENTERING INDOOR WET BULB TEMPERATURE											
		65				75				85				95				105				115			
		59	63	67	71	59	63	67	71	59	63	67	71	59	63	67	71	59	63	67	71	59	63	67	71
80	MBh	46.7	47.3	48.7	50.8	46.3	46.9	48.3	50.4	45.1	45.7	47.1	49.2	43.0	43.6	45.0	47.1	40.4	41.1	42.5	44.6	38.1	38.8	40.2	42.3
	S/T	1.00	0.79	0.66	0.5	1.00	0.80	0.66	0.52	1.00	0.82	0.69	0.6	1.00	0.84	0.71	0.57	1.00	1.00	0.73	0.6	1.00	1.00	0.78	0.64
	ΔT	27	25	22	19	27	25	22	18	27	26	22	19	27	25	22	18	27	25	22	18	28	26	23	19
	KW	2.77	2.77	2.76	2.8	3.09	3.08	3.08	3.10	3.44	3.44	3.43	3.5	3.83	3.82	3.82	3.84	4.26	4.25	4.25	4.3	4.76	4.76	4.75	4.78
	Amps	10.1	10.1	10.0	10.2	11.5	11.5	11.5	11.6	13.2	13.1	13.1	13.2	14.9	14.9	14.9	15.0	16.9	16.9	16.9	17.0	19.2	19.2	19.2	19.3
	HI PR	258	259	261	266	299	300	302	306	341	342	344	349	387	388	390	394	436	437	439	444	489	490	492	496
	LO PR	124	125	129	134	131	133	136	141	138	140	143	148	144	145	148	153	149	151	154	159	156	157	160	166
	MBh	47.2	47.8	49.2	51.3	46.8	47.4	48.8	50.9	45.5	46.2	47.6	49.7	43.5	44.1	45.5	47.6	40.9	41.6	43.0	45.1	38.6	39.3	40.6	42.8
	S/T	1.00	0.83	0.70	0.6	1.00	0.84	0.71	0.57	1.00	0.86	0.73	0.6	1.00	1.00	0.75	0.61	1.00	1.00	0.77	0.6	1.00	1.00	0.82	0.68
	ΔT	26	25	21	18	26	24	21	18	27	25	21	18	26	24	21	18	26	24	21	17	27	25	22	18
KW	2.78	2.78	2.77	2.8	3.10	3.10	3.09	3.12	3.45	3.45	3.45	3.5	3.84	3.84	3.83	3.86	4.27	4.27	4.26	4.3	4.77	4.77	4.76	4.79	
Amps	10.1	10.1	10.1	10.2	11.6	11.6	11.6	11.7	13.2	13.2	13.2	13.3	15.0	15.0	14.9	15.1	16.9	16.9	16.9	17.0	19.3	19.2	19.2	19.3	
HI PR	260	261	263	267	300	302	303	308	343	344	346	350	389	390	392	396	438	439	441	445	491	492	493	498	
LO PR	125	127	130	135	133	134	138	143	139	141	144	149	145	146	150	155	150	152	155	160	157	159	162	167	
MBh	48.1	48.8	50.2	52.3	47.7	48.4	49.8	51.9	46.5	47.2	48.5	50.7	44.4	45.1	46.5	48.6	41.9	42.5	43.9	46.0	39.6	40.2	41.6	43.7	
S/T	1.00	0.87	0.74	0.6	1.00	0.88	0.75	0.60	1.00	0.90	0.77	0.6	1.00	1.00	0.79	0.65	1.00	1.00	0.81	0.7	1.00	1.00	0.86	0.72	
ΔT	25	23	20	17	25	23	20	16	25	24	20	17	25	23	20	16	25	23	20	16	26	24	21	17	
KW	2.80	2.80	2.79	2.8	3.12	3.11	3.11	3.13	3.47	3.47	3.46	3.5	3.86	3.85	3.85	3.87	4.29	4.28	4.28	4.3	4.79	4.79	4.78	4.81	
Amps	10.2	10.2	10.2	10.3	11.7	11.7	11.6	11.7	13.3	13.3	13.3	13.4	15.1	15.0	15.0	15.1	17.0	17.0	17.0	17.1	19.3	19.3	19.3	19.4	
HI PR	263	264	266	270	303	304	306	311	346	347	349	353	391	392	394	399	441	442	444	448	493	494	496	501	
LO PR	128	130	133	138	136	137	140	145	142	144	147	152	148	149	152	157	153	155	158	163	160	161	165	170	

IDB		OUTDOOR AMBIENT TEMPERATURE												ENTERING INDOOR WET BULB TEMPERATURE											
		65				75				85				95				105				115			
		59	63	67	71	59	63	67	71	59	63	67	71	59	63	67	71	59	63	67	71	59	63	67	71
85	MBh	47.5	48.1	49.5	51.6	47.1	47.7	49.1	51.2	45.8	46.5	47.9	50.0	43.8	44.4	45.8	47.9	41.2	41.9	43.3	45.4	38.9	39.6	40.9	43.0
	S/T	1.00	0.93	0.80	0.66	1.00	1.00	0.81	0.67	1.00	1.00	0.83	0.69	1.00	1.00	0.85	0.71	1.00	1.00	0.87	0.73	1.00	1.00	1.00	0.78
	ΔT	30	28	25	21	30	28	25	21	30	28	25	21	30	28	25	21	30	28	24	21	31	29	26	22
	KW	2.79	2.78	2.78	2.80	3.10	3.10	3.10	3.12	3.46	3.46	3.45	3.48	3.84	3.84	3.84	3.86	4.27	4.27	4.27	4.29	4.78	4.78	4.77	4.79
	Amps	10.2	10.2	10.1	10.2	11.6	11.6	11.6	11.7	13.2	13.2	13.2	13.3	15.0	15.0	15.0	15.1	17.0	17.0	16.9	17.0	19.3	19.3	19.2	19.3
	HI PR	259	261	262	267	300	301	303	307	342	344	345	350	388	389	391	396	437	439	440	445	490	491	493	498
	LO PR	126	127	130	136	133	135	138	143	140	141	145	150	145	147	150	155	151	152	155	161	158	159	162	168
	MBh	47.9	48.6	50.0	52.1	47.5	48.2	49.6	51.7	46.3	47.0	48.4	50.5	44.2	44.9	46.3	48.4	41.7	42.4	43.7	45.9	39.4	40.0	41.4	43.5
	S/T	1.00	0.97	0.84	0.70	1.00	1.00	0.85	0.70	1.00	1.00	0.87	0.73	1.00	1.00	0.89	0.75	1.00	1.00	0.90	0.77	1.00	1.00	1.00	0.82
	ΔT	29	27	24	20	29	27	24	20	29	27	24	20	29	27	23	20	28	27	23	20	30	28	24	21
KW	2.80	2.80	2.80	2.82	3.12	3.12	3.11	3.14	3.48	3.48	3.47	3.49	3.86	3.86	3.85	3.88	4.29	4.29	4.28	4.31	4.80	4.79	4.79	4.81	
Amps	10.2	10.2	10.2	10.3	11.7	11.7	11.7	11.8	13.3	13.3	13.3	13.4	15.1	15.1	15.0	15.2	17.1	17.0	17.0	17.1	19.4	19.3	19.3	19.4	
HI PR	264	265	267	271	304	305	307	312	347	348	350	354	393	394	395	400	442	443	445	449	495	496	497	502	
LO PR	130	131	135	140	137	139	142	147	144	145	149	154	149	151	154	159	155	156	160	165	162	163	166	172	

IDB: Entering Indoor Dry Bulb Temperature
 High and low pressures are measured at the liquid and suction service valves.
 Shaded area reflects AHRI conditions
 kW = Total system power
 Amps = outdoor unit amps (comp.+fan)

IDB		OUTDOOR AMBIENT TEMPERATURE												ENTERING INDOOR WET BULB TEMPERATURE												
		65				75				85				95				105				115				
		59	63	67	71	59	63	67	71	59	63	67	71	59	63	67	71	59	63	67	71	59	63	67	71	
70	1550	MBh	58.8	59.6	61.3	-	58.2	59.1	60.8	-	56.7	57.5	59.3	-	54.1	54.9	56.7	-	50.9	51.7	53.5	-	48.0	48.8	50.6	-
		S/T	0.62	0.55	0.42	-	0.62	0.55	0.43	-	0.65	0.58	0.45	-	0.66	0.59	0.47	-	0.69	0.61	0.49	-	1.00	0.66	0.54	-
	ΔT	21	19	15	-	21	19	15	-	21	19	15	-	21	19	15	-	21	19	15	-	22	20	16	-	
	KW	3.43	3.42	3.42	-	3.85	3.85	3.84	-	4.33	4.33	4.32	-	4.84	4.84	4.83	-	5.42	5.42	5.41	-	6.09	6.09	6.08	-	
	Amps	13.2	13.2	13.1	-	15.1	15.1	15.1	-	17.3	17.3	17.3	-	19.7	19.6	19.6	-	22.3	22.3	22.2	-	25.4	25.4	25.3	-	
	HI PR	270	271	273	-	312	313	315	-	356	358	359	-	404	405	407	-	455	457	459	-	510	511	513	-	
	LO PR	117	118	121	-	124	125	128	-	130	131	134	-	135	136	139	-	140	141	144	-	146	148	151	-	
	1750	MBh	59.7	60.5	62.3	-	59.2	60.0	61.7	-	57.7	58.5	60.2	-	55.1	55.9	57.6	-	51.9	52.7	54.4	-	49.0	49.8	51.5	-
		S/T	0.65	0.58	0.45	-	0.66	0.58	0.46	-	0.68	0.61	0.48	-	0.70	0.63	0.50	-	0.72	0.65	0.52	-	1.00	0.69	0.57	-
	ΔT	20	18	14	-	20	18	14	-	20	18	14	-	20	18	14	-	19	17	14	-	21	19	15	-	
KW	3.45	3.44	3.43	-	3.87	3.87	3.86	-	4.35	4.34	4.34	-	4.86	4.86	4.85	-	5.44	5.43	5.43	-	6.11	6.11	6.10	-		
Amps	13.3	13.3	13.2	-	15.2	15.2	15.2	-	17.4	17.4	17.3	-	19.8	19.7	19.7	-	22.4	22.4	22.3	-	25.5	25.5	25.4	-		
HI PR	272	273	275	-	314	316	318	-	359	360	362	-	406	408	409	-	458	459	461	-	513	514	516	-		
LO PR	118	120	123	-	125	127	130	-	132	133	136	-	137	138	141	-	142	143	146	-	148	150	153	-		
2000	MBh	61.2	62.0	63.7	-	60.6	61.5	63.2	-	59.1	60.0	61.7	-	56.5	57.3	59.1	-	53.3	54.2	55.9	-	50.4	51.3	53.0	-	
	S/T	0.66	0.59	0.46	-	0.66	0.59	0.47	-	0.69	0.62	0.49	-	0.71	0.64	0.51	-	1.00	0.66	0.53	-	1.00	0.70	0.58	-	
ΔT	19	17	13	-	19	17	13	-	19	17	13	-	19	17	13	-	18	16	12	-	20	18	14	-		
KW	3.47	3.46	3.46	-	3.89	3.89	3.88	-	4.37	4.37	4.36	-	4.88	4.88	4.87	-	5.46	5.46	5.45	-	6.13	6.13	6.12	-		
Amps	13.4	13.3	13.3	-	15.3	15.3	15.3	-	17.5	17.5	17.4	-	19.8	19.8	19.8	-	22.5	22.5	22.4	-	25.6	25.6	25.5	-		
HI PR	275	276	278	-	317	319	320	-	362	363	365	-	409	410	412	-	461	462	464	-	516	517	519	-		
LO PR	121	123	126	-	128	130	133	-	134	136	139	-	140	141	144	-	145	146	149	-	151	152	155	-		
75	1550	MBh	58.8	59.6	61.3	64.0	58.3	59.1	60.8	63.5	56.8	57.6	59.3	62.0	54.1	55.0	56.7	59.3	51.0	51.8	53.5	56.2	48.1	48.9	50.6	53.3
		S/T	0.74	0.67	0.54	0.41	0.74	0.67	0.55	0.41	0.77	0.70	0.57	0.44	1.00	0.71	0.59	0.46	1.00	0.73	0.61	0.48	1.00	0.78	0.66	0.52
	ΔT	25	23	20	16	25	23	19	16	26	24	20	16	25	23	19	16	25	23	19	15	26	24	20	17	
	KW	3.42	3.42	3.41	3.45	3.85	3.85	3.84	3.87	4.33	4.32	4.32	4.35	4.84	4.84	4.83	4.86	5.42	5.41	5.41	5.44	6.09	6.09	6.08	6.11	
	Amps	13.2	13.1	13.1	13.3	15.1	15.1	15.1	15.2	17.3	17.3	17.2	17.4	19.7	19.6	19.6	19.8	22.3	22.3	22.2	22.4	25.4	25.4	25.3	25.5	
	HI PR	270	271	273	278	312	314	315	320	357	358	360	364	404	405	407	412	456	457	459	463	511	512	514	518	
	LO PR	117	118	121	126	124	125	128	133	130	131	134	139	135	136	139	144	140	141	144	149	146	148	151	155	
	1750	MBh	59.7	60.6	62.3	64.9	59.2	60.0	61.8	64.4	57.7	58.5	60.3	62.9	55.1	55.9	57.6	60.3	51.9	52.7	54.5	57.1	49.0	49.8	51.6	54.2
		S/T	0.77	0.70	0.57	0.44	0.78	0.70	0.58	0.45	0.80	0.73	0.60	0.47	1.00	0.75	0.62	0.49	1.00	0.77	0.64	0.51	1.00	0.81	0.69	0.56
	ΔT	24	22	18	15	24	22	18	14	25	23	19	15	24	22	18	14	24	22	18	14	25	23	19	15	
KW	3.44	3.44	3.43	3.46	3.87	3.87	3.86	3.89	4.34	4.34	4.33	4.37	4.86	4.86	4.85	4.88	5.44	5.43	5.42	5.46	6.11	6.11	6.10	6.13		
Amps	13.3	13.2	13.2	13.4	15.2	15.2	15.2	15.3	17.4	17.4	17.3	17.5	19.7	19.7	19.7	19.8	22.4	22.4	22.3	22.5	25.5	25.4	25.4	25.6		
HI PR	272	274	276	280	315	316	318	322	359	360	362	367	407	408	410	414	458	459	461	466	513	514	516	521		
LO PR	118	120	123	128	125	127	130	135	132	133	136	141	137	138	141	146	142	143	146	151	148	150	153	157		
2000	MBh	61.2	62.0	63.8	66.4	60.7	61.5	63.2	65.9	59.2	60.0	61.7	64.4	56.6	57.4	59.1	61.8	53.4	54.2	55.9	58.6	50.5	51.3	53.0	55.7	
	S/T	0.78	0.71	0.58	0.45	0.78	0.71	0.59	0.46	1.00	0.74	0.61	0.48	1.00	0.75	0.63	0.50	1.00	0.78	0.65	0.52	1.00	0.82	0.70	0.56	
ΔT	23	21	17	13	23	21	17	13	23	21	18	14	23	21	17	13	23	21	17	13	24	22	18	14		
KW	3.46	3.46	3.45	3.49	3.89	3.89	3.88	3.91	4.37	4.36	4.36	4.39	4.88	4.88	4.87	4.90	5.46	5.45	5.45	5.48	6.13	6.13	6.12	6.15		
Amps	13.3	13.3	13.3	13.4	15.3	15.3	15.3	15.4	17.5	17.5	17.4	17.6	19.8	19.8	19.8	19.9	22.5	22.5	22.4	22.6	25.6	25.6	25.5	25.7		
HI PR	275	277	278	283	318	319	321	325	362	363	365	370	410	411	413	417	461	462	464	469	516	517	519	523		
LO PR	121	123	126	131	128	130	133	138	134	136	139	144	140	141	144	149	145	146	149	154	151	152	155	160		

IDB: Entering Indoor Dry Bulb Temperature
 High and low pressures are measured at the liquid and suction service valves.
 Shaded area reflects ACCA (TVA) conditions
 kW = Total system power
 Amps = outdoor unit amps (comp.+fan)

IDB	AIRFLOW	OUTDOOR AMBIENT TEMPERATURE												ENTERING INDOOR WET BULB TEMPERATURE											
		65				75				85				95				105				115			
		59	63	67	71	59	63	67	71	59	63	67	71	59	63	67	71	59	63	67	71	59	63	67	71
80	MBh	59.1	59.9	61.6	64.3	58.6	59.4	61.1	63.8	57.1	57.9	59.6	62.3	54.4	55.3	57.0	59.6	51.3	52.1	53.8	56.5	48.4	49.2	50.9	53.6
	S/T	0.85	0.78	0.66	0.5	1.00	0.79	0.66	0.53	1.00	0.81	0.69	0.6	1.00	0.83	0.70	0.57	1.00	0.85	0.72	0.6	1.00	1.00	0.77	0.64
	ΔT	30	28	24	20	30	28	24	20	30	28	24	20	30	28	24	20	30	28	24	20	31	29	25	21
	KW	3.43	3.42	3.42	3.5	3.85	3.85	3.84	3.87	4.33	4.32	4.32	4.4	4.84	4.84	4.83	4.87	5.42	5.42	5.42	5.4	6.09	6.09	6.08	6.12
	Amps	13.2	13.2	13.1	13.3	15.1	15.1	15.1	15.2	17.3	17.3	17.3	17.4	19.7	19.6	19.6	19.8	22.3	22.3	22.2	22.4	25.4	25.4	25.3	25.5
	HI PR	271	272	274	278	313	314	316	321	357	358	360	365	405	406	408	413	456	457	459	464	511	512	514	519
LO PR	117	118	121	126	124	125	128	133	130	132	135	139	135	137	140	145	140	142	145	150	147	148	151	156	
1750	MBh	60.0	60.9	62.6	65.2	59.5	60.3	62.1	64.7	58.0	58.8	60.6	63.2	55.4	56.2	57.9	60.6	52.2	53.0	54.8	57.4	49.3	50.1	51.9	54.5
	S/T	0.89	0.81	0.69	0.6	1.00	0.82	0.70	0.56	1.00	0.84	0.72	0.6	1.00	0.86	0.74	0.60	1.00	0.88	0.76	0.6	1.00	1.00	0.80	0.67
	ΔT	29	27	23	19	29	27	23	19	29	27	23	19	29	27	23	19	29	26	23	19	30	28	24	20
	KW	3.44	3.44	3.43	3.5	3.87	3.87	3.86	3.89	4.35	4.34	4.34	4.4	4.86	4.86	4.85	4.88	5.44	5.43	5.43	5.5	6.11	6.11	6.10	6.13
	Amps	13.3	13.2	13.2	13.4	15.2	15.2	15.2	15.3	17.4	17.4	17.3	17.5	19.7	19.7	19.7	19.8	22.4	22.4	22.3	22.5	25.5	25.5	25.4	25.6
	HI PR	273	274	276	281	315	316	318	323	359	361	362	367	407	408	410	415	458	460	462	466	513	514	516	521
LO PR	119	120	123	128	126	127	130	135	132	134	136	141	137	139	142	146	142	144	147	152	149	150	153	158	
2000	MBh	61.5	62.3	64.1	66.7	61.0	61.8	63.5	66.2	59.5	60.3	62.0	64.7	56.9	57.7	59.4	62.1	53.7	54.5	56.2	58.9	50.8	51.6	53.3	56.0
	S/T	0.89	0.82	0.70	0.6	1.00	0.83	0.70	0.57	1.00	0.85	0.73	0.6	1.00	0.87	0.75	0.61	1.00	1.00	0.77	0.6	1.00	1.00	0.81	0.68
	ΔT	28	26	22	18	28	26	22	18	28	26	22	18	28	26	22	18	27	25	21	18	29	27	23	19
	KW	3.47	3.46	3.46	3.5	3.89	3.89	3.88	3.91	4.37	4.36	4.36	4.4	4.88	4.88	4.87	4.90	5.46	5.46	5.45	5.5	6.13	6.13	6.12	6.16
	Amps	13.4	13.3	13.3	13.5	15.3	15.3	15.3	15.4	17.5	17.5	17.4	17.6	19.8	19.8	19.8	19.9	22.5	22.5	22.4	22.6	25.6	25.6	25.5	25.7
	HI PR	276	277	279	284	318	319	321	326	362	364	365	370	410	411	413	418	461	463	464	469	516	517	519	524
LO PR	122	123	126	131	129	130	133	138	135	136	139	144	140	142	144	149	145	147	150	154	152	153	156	161	

IDB	AIRFLOW	OUTDOOR AMBIENT TEMPERATURE												ENTERING INDOOR WET BULB TEMPERATURE											
		65				75				85				95				105				115			
		59	63	67	71	59	63	67	71	59	63	67	71	59	63	67	71	59	63	67	71	59	63	67	71
1550	MBh	60.1	60.9	62.6	65.3	59.5	60.4	62.1	64.7	58.0	58.8	60.6	63.2	55.4	56.2	58.0	60.6	52.2	53.1	54.8	57.4	49.3	50.2	51.9	54.5
	S/T	1.00	0.88	0.75	0.62	1.00	0.88	0.76	0.62	1.00	0.91	0.78	0.65	1.00	1.00	0.80	0.67	1.00	1.00	0.82	0.69	1.00	1.00	0.87	0.73
	ΔT	34	32	28	24	34	32	28	24	34	32	28	24	34	32	28	24	34	32	28	24	35	33	29	25
	KW	3.43	3.43	3.42	3.46	3.86	3.86	3.85	3.88	4.34	4.33	4.33	4.36	4.85	4.85	4.84	4.87	5.43	5.42	5.42	5.45	6.10	6.10	6.09	6.12
	Amps	13.2	13.2	13.2	13.3	15.2	15.1	15.1	15.3	17.3	17.3	17.3	17.4	19.7	19.7	19.7	19.8	22.3	22.3	22.3	22.4	25.4	25.4	25.4	25.5
	HI PR	272	273	275	280	314	315	317	322	358	360	361	366	406	407	409	414	457	459	460	465	512	513	515	520
LO PR	119	120	123	128	126	127	130	135	132	133	136	141	137	138	141	146	142	144	146	151	148	150	153	158	
1750	MBh	61.0	61.8	63.6	66.2	60.5	61.3	63.0	65.7	59.0	59.8	61.5	64.2	56.4	57.2	58.9	61.6	53.2	54.0	55.7	58.4	50.3	51.1	52.8	55.5
	S/T	1.00	0.91	0.78	0.65	1.00	0.91	0.79	0.66	1.00	0.94	0.81	0.68	1.00	1.00	0.83	0.70	1.00	1.00	0.85	0.72	1.00	1.00	0.90	0.77
	ΔT	33	31	27	23	33	31	27	23	33	31	27	23	33	31	27	23	33	31	27	23	34	32	28	24
	KW	3.45	3.45	3.44	3.48	3.88	3.88	3.87	3.90	4.36	4.35	4.34	4.38	4.87	4.87	4.86	4.89	5.45	5.44	5.44	5.47	6.12	6.12	6.11	6.14
	Amps	13.3	13.3	13.3	13.4	15.3	15.2	15.2	15.4	17.4	17.4	17.4	17.5	19.8	19.8	19.7	19.9	22.4	22.4	22.4	22.5	25.5	25.5	25.5	25.6
	HI PR	274	275	277	282	316	318	319	324	361	362	364	368	408	410	411	416	460	461	463	467	515	516	518	522
LO PR	121	122	125	130	128	129	132	137	134	135	138	143	139	140	143	148	144	145	148	153	150	152	155	160	
2000	MBh	62.5	63.3	65.0	67.7	62.0	62.8	64.5	67.2	60.4	61.3	63.0	65.6	57.8	58.7	60.4	63.0	54.7	55.5	57.2	59.9	51.7	52.6	54.3	56.9
	S/T	1.00	0.92	0.79	0.66	1.00	0.92	0.80	0.67	1.00	1.00	0.82	0.69	1.00	1.00	0.84	0.71	1.00	1.00	0.86	0.73	1.00	1.00	0.91	0.77
	ΔT	32	30	26	22	32	30	26	22	32	30	26	22	32	30	26	22	31	29	26	22	33	31	27	23
	KW	3.47	3.47	3.46	3.50	3.90	3.90	3.89	3.92	4.38	4.37	4.37	4.40	4.89	4.89	4.88	4.91	5.47	5.46	5.46	5.49	6.14	6.14	6.13	6.16
	Amps	13.4	13.4	13.3	13.5	15.3	15.3	15.3	15.4	17.5	17.5	17.5	17.6	19.9	19.9	19.8	20.0	22.5	22.5	22.5	22.6	25.6	25.6	25.6	25.7
	HI PR	277	278	280	285	319	321	322	327	364	365	367	371	411	412	414	419	463	464	466	470	518	519	521	525
LO PR	124	125	128	133	131	132	135	140	137	138	141	146	142	143	146	151	147	148	151	156	153	155	158	162	

IDB: Entering Indoor Dry Bulb Temperature
 High and low pressures are measured at the liquid and suction service valves.
 Shaded area reflects AHRI conditions
 KW = Total system power
 Amps = outdoor unit amps (comp.+fan)

GSX140181** / CA*F3636*6D* W/.051" ORIFICE CONDITIONS: 80 °F IBD, 67 °F IWB @ 600 CFM				
OUTDOOR TEM. ° F.	TOTAL BTUH	SENSIBLE BTUH	LATENT BTUH	TOTAL WATTS
75	18,900	13,296	5,604	1,085
80	18,675	13,302	5,373	1,137
85	18,450	13,309	5,141	1,190
90	18,225	13,356	4,869	1,223
95	18,000	13,403	4,597	1,256
100	17,550	13,309	4,241	1,285
105	17,100	13,215	3,885	1,313
110	16,470	12,780	3,690	1,338
115	15,840	12,344	3,496	1,362
TVA Conditions @ 95° OD DB, 75° ID DB 63° ID WB				
95°	16,680	13,269	3,411	1,203

GSX140191** / CA*F3636*6D* W/.053" ORIFICE CONDITIONS: 80 °F IBD, 67 °F IWB @ 550 CFM				
OUTDOOR TEM. ° F.	TOTAL BTUH	SENSIBLE BTUH	LATENT BTUH	TOTAL WATTS
75	18,900	13,041	5,859	1,160
80	18,650	13,145	5,506	1,225
85	18,400	13,248	5,152	1,290
90	18,000	13,136	4,864	1,360
95	17,600	13,024	4,576	1,430
100	17,100	12,820	4,280	1,530
105	16,600	12,616	3,984	1,590
110	16,150	12,667	3,484	1,680
115	15,700	12,717	2,983	1,770
TVA Conditions @ 95° OD DB, 75° ID DB 63° ID WB				
95°	17,000	12,750	4,250	1,430

GSX140241** / CA*F3636*6D* W/.057" ORIFICE CONDITIONS: 80 °F IBD, 67 °F IWB @ 725 CFM				
OUTDOOR TEM. ° F.	TOTAL BTUH	SENSIBLE BTUH	LATENT BTUH	TOTAL WATTS
75	24,360	16,895	7,465	1,474
80	24,070	16,904	7,166	1,526
85	23,780	16,912	6,868	1,577
90	23,490	16,972	6,518	1,623
95	23,200	17,031	6,169	1,668
100	22,620	16,912	5,708	1,707
105	22,040	16,793	5,247	1,746
110	21,228	16,239	4,989	1,779
115	20,416	15,686	4,730	1,813
TVA Conditions @ 95° OD DB, 75° ID DB 63° ID WB				
95°	21,498	16,861	4,637	1,596

GSX140251** / CA*F3636*6D* W/.057" ORIFICE CONDITIONS: 80 °F IBD, 67 °F IWB @ 700 CFM				
OUTDOOR TEM. ° F.	TOTAL BTUH	SENSIBLE BTUH	LATENT BTUH	TOTAL WATTS
75	25,500	17,085	8,415	1,570
80	25,200	17,258	7,943	1,660
85	24,900	17,430	7,470	1,750
90	24,350	17,283	7,067	1,850
95	23,800	17,136	6,664	1,950
100	23,150	16,893	6,257	2,060
105	22,500	16,650	5,850	2,170
110	21,900	16,739	5,162	2,300
115	21,300	16,827	4,473	2,430
TVA Conditions @ 95° OD DB, 75° ID DB 63° ID WB				
95°	23,000	16,790	6,210	1,950

GSX140301** / CA*F3642*6D* W/.065" Orifice Conditions: 80 °F IBD, 67 °F IWB @ 1000 CFM				
OUTDOOR TEM. ° F.	TOTAL BTUH	SENSIBLE BTUH	LATENT BTUH	TOTAL WATTS
75	30,900	21,630	9,270	1,960
80	30,500	21,651	8,849	2,070
85	30,100	21,672	8,428	2,180
90	29,450	21,492	7,958	2,300
95	28,800	21,312	7,488	2,420
100	28,000	20,992	7,008	2,550
105	27,200	20,672	6,528	2,680
110	26,450	20,745	5,706	2,840
115	25,700	20,817	4,883	3,000
TVA Conditions @ 95° OD DB, 75° ID DB 63° ID WB				
95°	27,800	20,850	6,950	2,420

GSX140311** / CA*F3137*6D* W/.063" Orifice Conditions: 80 °F IBD, 67 °F IWB @ 1000 CFM				
OUTDOOR TEM. ° F.	TOTAL BTUH	SENSIBLE BTUH	LATENT BTUH	TOTAL WATTS
75	30,700	22,718	7,982	1,920
80	30,300	22,871	7,430	2,025
85	29,900	23,023	6,877	2,130
90	29,250	22,809	6,442	2,245
95	28,600	22,594	6,006	2,360
100	27,800	22,232	5,568	2,490
105	27,000	21,870	5,130	2,620
110	26,250	21,900	4,350	2,770
115	25,500	21,930	3,570	2,920
TVA Conditions @ 95° OD DB, 75° ID DB 63° ID WB				
95°	27,600	20,080	5,520	2,360

GSX140361** / CA*F3642*6D* W/.068" ORIFICE CONDITIONS: 80 °F IBD, 67 °F IWB @ 1200 CFM				
OUTDOOR TEM. ° F.	TOTAL BTUH	SENSIBLE BTUH	LATENT BTUH	TOTAL WATTS
75	36,700	25,690	11,010	2,330
80	36,250	25,733	10,517	2,460
85	35,800	25,776	10,024	2,590
90	35,000	25,542	9,458	2,730
95	34,200	25,308	8,892	2,870
100	33,250	24,928	8,322	3,030
105	32,300	24,548	7,752	3,190
110	31,400	24,627	6,774	3,370
115	30,500	24,705	5,795	3,550
TVA Conditions @ 95° OD DB, 75° ID DB 63° ID WB				
95°	33,000	24,750	8,250	2,870

GSX140371** / CA*F3137*6D* W/.071" ORIFICE CONDITIONS: 80 °F IBD, 67 °F IWB @ 1100 CFM				
OUTDOOR TEM. ° F.	TOTAL BTUH	SENSIBLE BTUH	LATENT BTUH	TOTAL WATTS
75	36,500	25,915	10,585	2,260
80	36,050	26,130	9,921	2,400
85	35,600	26,344	9,256	2,540
90	34,800	26,092	8,708	2,675
95	34,000	25,840	8,160	2,810
100	33,050	25,439	7,611	2,970
105	32,100	25,038	7,062	3,130
110	31,250	25,135	6,115	3,315
115	30,400	25,232	5,168	3,500
TVA Conditions @ 95° OD DB, 75° ID DB 63° ID WB				
95°	32,800	25,256	7,544	2,810

GSX140421** / CA*F4961*6D* W/.074" ORIFICE CONDITIONS: 80 °F IBD, 67 °F IWB @ 1400 CFM				
OUTDOOR TEM. ° F.	TOTAL BTUH	SENSIBLE BTUH	LATENT BTUH	TOTAL WATTS
75	41,800	30,932	10,868	2,600
80	41,300	31,174	10,126	2,750
85	40,800	31,416	9,384	2,900
90	39,900	31,113	8,787	3,060
95	39,000	30,810	8,190	3,220
100	37,900	30,309	7,591	3,400
105	36,800	29,808	6,992	3,580
110	35,800	30,042	5,758	3,795
115	34,800	30,276	4,524	4,010
TVA Conditions @ 95° OD DB, 75° ID DB 63° ID WB				
95°	37,600	30,080	7,520	3,220

GSX140431** / CA*F4961*6D* W/.074" ORIFICE CONDITIONS: 80 °F IBD, 67 °F IWB @ 1400 CFM				
OUTDOOR TEM. ° F.	TOTAL BTUH	SENSIBLE BTUH	LATENT BTUH	TOTAL WATTS
75	41,800	30,932	10,868	2,600
80	41,300	31,174	10,126	2,750
85	40,800	31,416	9,384	2,900
90	39,900	31,113	8,787	3,060
95	39,000	30,810	8,190	3,220
100	37,900	30,309	7,591	3,400
105	36,800	29,808	6,992	3,580
110	35,800	30,042	5,758	3,795
115	34,800	30,276	4,524	4,010
TVA Conditions @ 95° OD DB, 75° ID DB 63° ID WB				
95°	37,600	30,080	7,520	3,220

GSX140481K / CA*F4860*6D* W/.078" ORIFICE CONDITIONS: 80 °F IBD, 67 °F IWB @ 1400 CFM				
OUTDOOR TEM. ° F.	TOTAL BTUH	SENSIBLE BTUH	LATENT BTUH	TOTAL WATTS
75	48,300	31,878	16,422	3,080
80	47,700	32,189	15,511	3,255
85	47,100	32,500	14,600	3,430
90	46,050	32,225	13,825	3,625
95	45,000	31,950	13,050	3,820
100	43,750	31,488	12,263	4,035
105	42,500	31,025	11,475	4,250
110	41,350	31,191	10,160	4,500
115	40,200	31,356	8,844	4,750
TVA Conditions @ 95° OD DB, 75° ID DB 63° ID WB				
95°	43,400	31,248	12,152	3,820

GSX140601** / CA*F4961*6D* W/.088" ORIFICE CONDITIONS: 80 °F IBD, 67 °F IWB @ 1550 CFM				
OUTDOOR TEM. ° F.	TOTAL BTUH	SENSIBLE BTUH	LATENT BTUH	TOTAL WATTS
75	61,100	40,326	20,774	3,840
80	60,350	40,725	19,625	4,080
85	59,600	41,124	18,476	4,320
90	58,300	40,512	17,788	4,575
95	57,000	39,900	17,100	4,830
100	55,400	39,318	16,082	5,120
105	53,800	38,736	15,064	5,410
110	52,350	38,965	13,386	5,745
115	50,900	39,193	11,707	6,080
TVA Conditions @ 95° OD DB, 75° ID DB 63° ID WB				
95°	55,000	39,050	15,950	4,840

OUTDOOR UNIT	INDOOR UNITS		COOLING RATINGS				CFM	AHRI #
	COILS/AIR HANDLERS	FURNACES	TOTAL ¹	SENS. ¹	SEER ²	EER ³		
GSX14 0181L*	ACNF25XX16A*		17,800	13,300	14.0	11.7	610	8631887
	ARUF25B14A*		17,800	13,300	14.0	11.5	610	8638981
	ASPT24B14A*+HSK		18,000	13,400	14.5	12.0	595	8638982
	ASPT25B14A*+HSK		17,800	13,300	14.5	12.0	580	8638983
	ASPT29B14A*+HSK		18,000	13,400	15.0	12.5	565	8638984
	ASPT30C14A*+HSK		18,400	13,700	14.5	12.0	630	8638985
	AVPTC24B14A*+HSK		18,000	13,400	14.5	12.0	600	8638986
	AVPTC30C14A*+HSK		18,400	13,700	14.5	12.0	630	8638987
	AWUF19XX16A*		17,000	12,700	14.0	11.5	580	8631886
	AWUF31XX16A*		17,400	13,000	14.5	11.5	630	8638988
	AWUF32XX16A*		17,400	13,000	14.5	11.5	630	8638989
	CA*F3137*6A*+EEP+TXV+HSK		18,000	13,400	14.5	12.0	600	8638976
	CA*F3137*6A*+TXV+HSK	A*EC960302BNA*	17,800	13,300	15.0	12.2	605	8638994
	CA*F3137*6A*+TXV+HSK	G*EC960302BNA*	17,800	13,300	15.0	12.2	605	8638999
	CA*F3137*6A*+TXV+HSK	A*EC960402BNA*	17,800	13,300	15.0	12.2	610	8639004
	CA*F3137*6A*+TXV+HSK	G*EC960402BNA*	17,800	13,300	15.0	12.2	610	8639009
	CA*F3137*6A*+TXV+HSK	A*VC960403BNA*	18,000	13,400	15.0	12.2	620	8639014
	CA*F3137*6A*+TXV+HSK	G*VC960403BNA*	18,000	13,400	15.0	12.2	620	8639019
	CA*F3137*6A*+TXV+HSK	A*EC960603BNA*	17,800	13,300	15.0	12.2	550	8639024
	CA*F3137*6A*+TXV+HSK	A*VC960603BNA*	18,000	13,400	15.0	12.2	620	8639029
	CA*F3137*6A*+TXV+HSK	G*EC960603BNA*	17,800	13,300	15.0	12.2	550	8639034
	CA*F3137*6A*+TXV+HSK	G*VC960603BNA*	18,000	13,400	15.0	12.2	620	8639039
	CA*F3137*6A*+TXV+HSK	A*EC960803BNA*	17,800	13,300	15.0	12.2	575	8639044
	CA*F3137*6A*+TXV+HSK	A*VC960803BNA*	18,000	13,400	15.0	12.2	610	8639049
	CA*F3137*6A*+TXV+HSK	G*EC960803BNA*	17,800	13,300	15.0	12.2	575	8639054
	CA*F3137*6A*+TXV+HSK	G*VC960803BNA*	18,000	13,400	15.0	12.2	610	8639059
	CA*F3137*6A*+TXV+HSK	A*VM970603BNA*	18,000	13,400	15.0	12.2	620	8639064
	CA*F3137*6A*+TXV+HSK	G*VM970603BNA*	18,000	13,400	15.0	12.2	620	8639069
	CA*F3137*6A*+TXV+HSK	G*E80603B*B*	18,000	13,400	15.0	12.2	590	8639074
	CA*F3137*6A*+TXV+HSK	A*VC80604B*B*	18,000	13,400	15.0	12.2	620	8639078
	CA*F3137*6A*+TXV+HSK	G*VC80604B*B*	18,000	13,400	15.0	12.2	620	8639082
	CA*F3636*6D*	A*EC960302BNA*	17,800	13,300	14.5	11.5	605	8638993
	CA*F3636*6D*	G*EC960302BNA*	17,800	13,300	14.5	11.5	605	8638998
	CA*F3636*6D*	A*EC960402BNA*	17,800	13,300	14.5	11.5	610	8639003
	CA*F3636*6D*	G*EC960402BNA*	17,800	13,300	14.5	11.5	610	8639008
	CA*F3636*6D*	A*VC960403BNA*	18,000	13,400	14.5	11.5	620	8639013
	CA*F3636*6D*	G*VC960403BNA*	18,000	13,400	14.5	11.5	620	8639018
	CA*F3636*6D*	A*EC960603BNA*	17,800	13,300	14.5	11.5	550	8639023
	CA*F3636*6D*	A*VC960603BNA*	18,000	13,400	14.5	11.5	620	8639028
	CA*F3636*6D*	G*EC960603BNA*	17,800	13,300	14.5	11.5	550	8639033
	CA*F3636*6D*	G*VC960603BNA*	18,000	13,400	14.5	11.5	620	8639038
	CA*F3636*6D*	A*EC960803BNA*	17,800	13,300	14.5	11.5	575	8639043
	CA*F3636*6D*	A*VC960803BNA*	18,000	13,400	14.5	11.5	610	8639048
	CA*F3636*6D*	G*EC960803BNA*	17,800	13,300	14.5	11.5	575	8639053
	CA*F3636*6D*	G*VC960803BNA*	18,000	13,400	14.5	11.5	610	8639058
CA*F3636*6D*	A*VM970603BNA*	18,000	13,400	14.5	11.5	620	8639063	
CA*F3636*6D*	G*VM970603BNA*	18,000	13,400	14.5	11.5	620	8639068	
CA*F3636*6D*	G*E80603B*B*	18,000	13,400	14.5	11.5	590	8639073	
CA*F3636*6D*	A*VC80604B*B*	18,000	13,400	14.5	11.5	620	8639077	
CA*F3636*6D*	G*VC80604B*B*	18,000	13,400	14.5	11.5	620	8639081	
CA*F3636*6D*	A*VM970804CNA*	18,000	13,400	14.5	11.5	635	8639197	
CA*F3636*6D*	G*VM970804CNA*	18,000	13,400	14.5	11.5	635	8639202	

See Notes on Page 47.

AHRI RATINGS (CONT.)

OUTDOOR UNIT	INDOOR UNITS		COOLING RATINGS				CFM	AHRI #
	COILS/AIR HANDLERS	FURNACES	TOTAL ¹	SENS. ¹	SEER ²	EER ³		
GSX14 0181L* (cont.)	CA*F3636*6D*+EEP		17,800	13,300	14.0	11.5	600	8631885
	CA*F3636*6D*+MBVC1200**-.1A*+TXV+HSK		17,800	13,300	14.5	11.5	590	8638990
	CA*F3743*6D*+TXV+HSK	A*VM970804CNA*	18,000	13,400	15.0	12.2	635	8639201
	CA*F3743*6D*+TXV+HSK	G*VM970804CNA*	18,000	13,400	15.0	12.2	635	8639206
	CAPT3743*4A*+EEP+HSK		17,800	13,300	14.0	11.5	600	8638977
	CAPT3743*4A*+HSK	A*EC960302BNA*	17,800	13,300	14.5	11.5	605	8638995
	CAPT3743*4A*+HSK	G*EC960302BNA*	17,800	13,300	14.5	11.5	605	8639000
	CAPT3743*4A*+HSK	A*EC960402BNA*	17,800	13,300	14.5	11.5	610	8639005
	CAPT3743*4A*+HSK	G*EC960402BNA*	17,800	13,300	14.5	11.5	610	8639010
	CAPT3743*4A*+HSK	A*VC960403BNA*	18,000	13,400	14.5	11.5	620	8639015
	CAPT3743*4A*+HSK	G*VC960403BNA*	18,000	13,400	14.5	11.5	620	8639020
	CAPT3743*4A*+HSK	A*EC960603BNA*	17,800	13,300	14.5	11.5	550	8639025
	CAPT3743*4A*+HSK	A*VC960603BNA*	18,000	13,400	14.5	11.5	620	8639030
	CAPT3743*4A*+HSK	G*EC960603BNA*	17,800	13,300	14.5	11.5	550	8639035
	CAPT3743*4A*+HSK	G*VC960603BNA*	18,000	13,400	14.5	11.5	620	8639040
	CAPT3743*4A*+HSK	A*EC960803BNA*	17,800	13,300	14.5	11.5	575	8639045
	CAPT3743*4A*+HSK	A*VC960803BNA*	18,000	13,400	14.5	11.5	610	8639050
	CAPT3743*4A*+HSK	G*EC960803BNA*	17,800	13,300	14.5	11.5	575	8639055
	CAPT3743*4A*+HSK	G*VC960803BNA*	18,000	13,400	14.5	11.5	610	8639060
	CAPT3743*4A*+HSK	A*VM970603BNA*	18,000	13,400	14.5	11.5	620	8639065
	CAPT3743*4A*+HSK	G*VM970603BNA*	18,000	13,400	14.5	11.5	620	8639070
	CAPT3743*4A*+HSK	G*E80603B*B*	18,000	13,400	14.5	11.5	590	8639075
	CAPT3743*4A*+HSK	A*VC80604B*B*	18,000	13,400	14.5	11.5	620	8639079
	CAPT3743*4A*+HSK	G*VC80604B*B*	18,000	13,400	14.5	11.5	620	8639083
	CAPT3743*4A*+HSK	A*VM970804CNA*	18,000	13,400	14.5	11.5	635	8639198
	CAPT3743*4A*+HSK	G*VM970804CNA*	18,000	13,400	14.5	11.5	635	8639203
	CAPT3743*4A*+MBVC1200**-.1A*+HSK		17,400	13,000	14.5	12.0	590	8638991
	CHPF2430B6C*+EEP+TXV+HSK		17,800	13,300	14.0	11.5	600	8638978
	CHPF2430B6C*+MBVC1200**-.1A*+TXV+HSK		17,800	13,300	14.5	11.5	590	8638992
	CHPF2430B6C*+TXV+HSK	A*VC80604B*B*	18,000	13,400	14.5	11.5	620	8639080
	CHPF2430B6C*+TXV+HSK	G*VC80604B*B*	18,000	13,400	14.5	11.5	620	8639084
	CHPF3636B6C*+TXV+HSK	A*EC960302BNA*	17,800	13,300	14.5	11.5	605	8638996
	CHPF3636B6C*+TXV+HSK	G*EC960302BNA*	17,800	13,300	14.5	11.5	605	8639001
	CHPF3636B6C*+TXV+HSK	A*EC960402BNA*	17,800	13,300	14.5	11.5	610	8639006
	CHPF3636B6C*+TXV+HSK	G*EC960402BNA*	17,800	13,300	14.5	11.5	610	8639011
	CHPF3636B6C*+TXV+HSK	A*VC960403BNA*	18,000	13,400	14.5	11.5	620	8639016
	CHPF3636B6C*+TXV+HSK	G*VC960403BNA*	18,000	13,400	14.5	11.5	620	8639021
	CHPF3636B6C*+TXV+HSK	A*EC960603BNA*	17,800	13,300	14.5	11.5	550	8639026
	CHPF3636B6C*+TXV+HSK	A*VC960603BNA*	18,000	13,400	14.5	11.5	620	8639031
	CHPF3636B6C*+TXV+HSK	G*EC960603BNA*	17,800	13,300	14.5	11.5	550	8639036
	CHPF3636B6C*+TXV+HSK	G*VC960603BNA*	18,000	13,400	14.5	11.5	620	8639041
	CHPF3636B6C*+TXV+HSK	A*EC960803BNA*	17,800	13,300	14.5	11.5	575	8639046
	CHPF3636B6C*+TXV+HSK	A*VC960803BNA*	18,000	13,400	14.5	11.5	610	8639051
	CHPF3636B6C*+TXV+HSK	G*EC960803BNA*	17,800	13,300	14.5	11.5	575	8639056
	CHPF3636B6C*+TXV+HSK	G*VC960803BNA*	18,000	13,400	14.5	11.5	610	8639061
CHPF3636B6C*+TXV+HSK	A*VM970603BNA*	18,000	13,400	14.5	11.5	620	8639066	
CHPF3636B6C*+TXV+HSK	G*VM970603BNA*	18,000	13,400	14.5	11.5	620	8639071	
CHPF3636B6C*+TXV+HSK	G*E80603B*B*	18,000	13,400	14.5	11.5	590	8639076	
CHPF3636B6C*+TXV+HSK	A*VM970804CNA*	18,000	13,400	14.5	11.5	635	8639199	
CHPF3636B6C*+TXV+HSK	G*VM970804CNA*	18,000	13,400	14.5	11.5	635	8639204	
CSCF3036N6D*+EEP+TXV+HSK		17,800	13,300	14.0	11.5	600	8638979	
CSCF3036N6D*+TXV+HSK	A*EC960302BNA*	17,800	13,300	14.5	11.5	605	8638997	
CSCF3036N6D*+TXV+HSK	G*EC960302BNA*	17,800	13,300	14.5	11.5	605	8639002	

See Notes on Page 71.

OUTDOOR UNIT	INDOOR UNITS		COOLING RATINGS				CFM	AHRI #
	COILS/AIR HANDLERS	FURNACES	TOTAL ¹	SENS. ¹	SEER ²	EER ³		
GSX14 0181L* (cont.)	CSCF3036N6D*+TXV+HSK	A*EC960402BNA*	17,800	13,300	14.5	11.5	610	8639007
	CSCF3036N6D*+TXV+HSK	G*EC960402BNA*	17,800	13,300	14.5	11.5	610	8639012
	CSCF3036N6D*+TXV+HSK	A*VC960403BNA*	18,000	13,400	14.5	11.5	620	8639017
	CSCF3036N6D*+TXV+HSK	G*VC960403BNA*	18,000	13,400	14.5	11.5	620	8639022
	CSCF3036N6D*+TXV+HSK	A*EC960603BNA*	17,800	13,300	14.5	11.5	550	8639027
	CSCF3036N6D*+TXV+HSK	A*VC960603BNA*	18,000	13,400	14.5	11.5	620	8639032
	CSCF3036N6D*+TXV+HSK	G*EC960603BNA*	17,800	13,300	14.5	11.5	550	8639037
	CSCF3036N6D*+TXV+HSK	G*VC960603BNA*	18,000	13,400	14.5	11.5	620	8639042
	CSCF3036N6D*+TXV+HSK	A*EC960803BNA*	17,800	13,300	14.5	11.5	575	8639047
	CSCF3036N6D*+TXV+HSK	A*VC960803BNA*	18,000	13,400	14.5	11.5	610	8639052
	CSCF3036N6D*+TXV+HSK	G*EC960803BNA*	17,800	13,300	14.5	11.5	575	8639057
	CSCF3036N6D*+TXV+HSK	G*VC960803BNA*	18,000	13,400	14.5	11.5	610	8639062
	CSCF3036N6D*+TXV+HSK	A*VM970603BNA*	18,000	13,400	14.5	11.5	620	8639067
	CSCF3036N6D*+TXV+HSK	G*VM970603BNA*	18,000	13,400	14.5	11.5	620	8639072
	CSCF3036N6D*+TXV+HSK	A*VM970804CNA*	18,000	13,400	14.5	11.5	635	8639200
	CSCF3036N6D*+TXV+HSK	G*VM970804CNA*	18,000	13,400	14.5	11.5	635	8639205
CSCF3642N6D*+EEP+TXV+HSK		18,000	13,400	14.5	11.5	600	8638980	
GSX14 0191K*	ACNF25XX16A*		17,400	12,800	14.0	12.2	610	8740456
	ARUF25B14A*		17,800	13,100	14.0	12.2	570	7984188
	ASPT24B14A*		17,800	13,100	14.5	12.2	525	7515730
	ASPT25B14A*		17,800	13,100	14.5	12.2	580	8242052
	ASPT29B14A*		18,000	13,300	15.0	12.5	560	8242053
	ASPT30C14A*		18,000	13,300	15.0	12.5	600	7515731
	AVPTC24B14A*		17,800	13,100	14.5	12.2	600	7515732
	AVPTC30C14A*		18,200	13,400	15.0	12.5	615	7515733
	AWUF19XX16A*		17,000	12,600	14.0	12.2	600	8033005
	AWUF31XX16A*		17,200	12,700	15.0	12.5	550	7515734
	AWUF32XX16A*		17,200	12,700	15.0	12.5	550	7515735
	CA*F3636*6D*+EEP+TXV		17,600	13,000	14.0	12.2	550	7515736
	CA*F3636*6D*+MBVC1200**-1A*+TXV		18,000	13,300	15.0	12.5	600	7515737
	CA*F3636*6D*+TXV	A*EC960302BNA*	17,800	13,100	15.0	12.5	575	7515738
	CA*F3636*6D*+TXV	A*EC960402BNA*	17,800	13,100	15.0	12.5	575	7515739
	CA*F3636*6D*+TXV	A*EC960603BNA*	17,800	13,100	15.0	12.5	500	7515740
	CA*F3636*6D*+TXV	A*EC960803BNA*	17,800	13,100	15.0	12.5	540	7515741
	CA*F3636*6D*+TXV	A*VC80604B*B*	17,800	13,100	15.0	12.5	620	7515742
	CA*F3636*6D*+TXV	A*VC960403BNA*	17,800	13,100	15.0	12.5	615	7515743
	CA*F3636*6D*+TXV	A*VC960603BNA*	17,800	13,100	15.0	12.5	625	7515744
	CA*F3636*6D*+TXV	A*VC960803BNA*	17,800	13,100	15.0	12.5	620	7515745
	CA*F3636*6D*+TXV	A*VM970603BNA*	17,800	13,100	15.0	12.5	625	7515746
	CA*F3636*6D*+TXV	A*VM970804CNA*	17,800	13,100	15.0	12.5	620	7515747
	CA*F3636*6D*+TXV	G*E80603B*B*	17,800	13,100	15.0	12.5	600	7515748
	CA*F3636*6D*+TXV	G*EC960302BNA*	17,800	13,100	15.0	12.5	575	7515749
	CA*F3636*6D*+TXV	G*EC960402BNA*	17,800	13,100	15.0	12.5	575	7515750
	CA*F3636*6D*+TXV	G*EC960603BNA*	17,800	13,100	15.0	12.5	500	7515751
	CA*F3636*6D*+TXV	G*EC960803BNA*	17,800	13,100	15.0	12.5	540	7515752
	CA*F3636*6D*+TXV	G*VC80604B*B*	17,800	13,100	15.0	12.5	620	7515753
	CA*F3636*6D*+TXV	G*VC960403BNA*	17,800	13,100	15.0	12.5	615	7515754
	CA*F3636*6D*+TXV	G*VC960603BNA*	17,800	13,100	15.0	12.5	625	7515755
	CA*F3636*6D*+TXV	G*VC960803BNA*	17,800	13,100	15.0	12.5	620	7515756
CA*F3636*6D*+TXV	G*VM970603BNA*	17,800	13,100	15.0	12.5	625	7515757	
CA*F3636*6D*+TXV	G*VM970804CNA*	17,800	13,100	15.0	12.5	620	7515758	
CA*F3743*6D*+EEP+TXV		18,000	13,300	14.5	12.2	550	7515759	
CAPT3743*4A*	A*EC960302BNA*	17,800	13,100	15.0	12.5	575	7515762	

See Notes on Page 47.

AHRI RATINGS (CONT.)

OUTDOOR UNIT	INDOOR UNITS		COOLING RATINGS				CFM	AHRI #	
	COILS/AIR HANDLERS	FURNACES	TOTAL ¹	SENS. ¹	SEER ²	EER ³			
GSX14 0191K* (cont.)	CAPT3743*4A*	A*EC960402BNA*	17,800	13,100	15.0	12.5	575	7515763	
	CAPT3743*4A*	A*EC960603BNA*	17,800	13,100	15.0	12.5	500	7515764	
	CAPT3743*4A*	A*EC960803BNA*	17,800	13,100	15.0	12.5	540	7515765	
	CAPT3743*4A*	A*VC80604B*B*	17,800	13,100	15.0	12.5	620	7515766	
	CAPT3743*4A*	A*VC960403BNA*	17,800	13,100	15.0	12.5	615	7515767	
	CAPT3743*4A*	A*VC960603BNA*	17,800	13,100	15.0	12.5	625	7515768	
	CAPT3743*4A*	A*VC960803BNA*	17,800	13,100	15.0	12.5	620	7515769	
	CAPT3743*4A*	A*VM970603BNA*	17,800	13,100	15.0	12.5	625	7515770	
	CAPT3743*4A*	A*VM970804CNA*	17,800	13,100	15.0	12.5	620	7515771	
	CAPT3743*4A*	G*E80603B*B*	17,800	13,100	15.0	12.5	600	7515772	
	CAPT3743*4A*	G*EC960302BNA*	17,800	13,100	15.0	12.5	575	7515773	
	CAPT3743*4A*	G*EC960402BNA*	17,800	13,100	15.0	12.5	575	7515774	
	CAPT3743*4A*	G*EC960603BNA*	17,800	13,100	15.0	12.5	500	7515775	
	CAPT3743*4A*	G*EC960803BNA*	17,800	13,100	15.0	12.5	540	7515776	
	CAPT3743*4A*	G*VC80604B*B*	17,800	13,100	15.0	12.5	620	7515777	
	CAPT3743*4A*	G*VC960403BNA*	17,800	13,100	15.0	12.5	615	7515778	
	CAPT3743*4A*	G*VC960603BNA*	17,800	13,100	15.0	12.5	625	7515779	
	CAPT3743*4A*	G*VC960803BNA*	17,800	13,100	15.0	12.5	620	7515780	
	CAPT3743*4A*	G*VM970603BNA*	17,800	13,100	15.0	12.5	625	7515781	
	CAPT3743*4A*	G*VM970804CNA*	17,800	13,100	15.0	12.5	620	7515782	
	CAPT3743*4A*+EEP			17,600	13,000	14.0	12.2	550	7515760
	CAPT3743*4A*+MBVC1200**-1A*			17,800	13,100	15.0	12.5	600	7515761
	CHPF3636B6C*+EEP+TXV			17,600	13,000	14.5	12.2	550	7515783
	CHPF3636B6C*+MBVC1200**-1A*+TXV			18,200	13,400	15.0	12.5	600	7515784
	CHPF3636B6C*+TXV	A*EC960302BNA*		17,800	13,100	15.0	12.5	575	7515785
	CHPF3636B6C*+TXV	A*EC960402BNA*		17,800	13,100	15.0	12.5	575	7515786
	CHPF3636B6C*+TXV	A*EC960603BNA*		17,800	13,100	15.0	12.5	500	7515787
	CHPF3636B6C*+TXV	A*EC960803BNA*		17,800	13,100	15.0	12.5	540	7515788
	CHPF3636B6C*+TXV	A*VC80604B*B*		17,800	13,100	15.0	12.5	620	7515789
	CHPF3636B6C*+TXV	A*VC960403BNA*		17,800	13,100	15.0	12.5	615	7515790
	CHPF3636B6C*+TXV	A*VC960603BNA*		17,800	13,100	15.0	12.5	625	7515791
	CHPF3636B6C*+TXV	A*VC960803BNA*		17,800	13,100	15.0	12.5	620	7515792
	CHPF3636B6C*+TXV	A*VM970603BNA*		17,800	13,100	15.0	12.5	625	7515793
	CHPF3636B6C*+TXV	A*VM970804CNA*		17,800	13,100	15.0	12.5	620	7515794
	CHPF3636B6C*+TXV	G*E80603B*B*		17,800	13,100	15.0	12.5	600	7515795
	CHPF3636B6C*+TXV	G*EC960302BNA*		17,800	13,100	15.0	12.5	575	7515796
	CHPF3636B6C*+TXV	G*EC960402BNA*		17,800	13,100	15.0	12.5	575	7515797
	CHPF3636B6C*+TXV	G*EC960603BNA*		17,800	13,100	15.0	12.5	500	7515798
	CHPF3636B6C*+TXV	G*EC960803BNA*		17,800	13,100	15.0	12.5	540	7515799
	CHPF3636B6C*+TXV	G*VC80604B*B*		17,800	13,100	15.0	12.5	620	7515800
	CHPF3636B6C*+TXV	G*VC960403BNA*		17,800	13,100	15.0	12.5	615	7515801
	CHPF3636B6C*+TXV	G*VC960603BNA*		17,800	13,100	15.0	12.5	625	7515802
	CHPF3636B6C*+TXV	G*VC960803BNA*		17,800	13,100	15.0	12.5	620	7515803
	CHPF3636B6C*+TXV	G*VM970603BNA*		17,800	13,100	15.0	12.5	625	7515804
	CHPF3636B6C*+TXV	G*VM970804CNA*		17,800	13,100	15.0	12.5	620	7515805
	CSCF3036N6D*+EEP+TXV			17,600	13,000	14.0	12.2	550	7515806
	CSCF3036N6D*+TXV	A*VC80604B*B*		17,800	13,100	15.0	12.5	620	7515807
	CSCF3036N6D*+TXV	A*VC960403BNA*		17,800	13,100	15.0	12.5	615	7515808
CSCF3036N6D*+TXV	A*VC960603BNA*		17,800	13,100	15.0	12.5	625	7515809	
CSCF3036N6D*+TXV	A*VC960803BNA*		17,800	13,100	15.0	12.5	620	7515810	
CSCF3036N6D*+TXV	A*VM970603BNA*		17,800	13,100	15.0	12.5	625	7515811	
CSCF3036N6D*+TXV	A*VM970804CNA*		17,800	13,100	15.0	12.5	620	7515812	
CSCF3036N6D*+TXV	G*VC80604B*B*		17,800	13,100	15.0	12.5	620	7515813	

See Notes on Page 71.

OUTDOOR UNIT	INDOOR UNITS		COOLING RATINGS				CFM	AHRI #
	COILS/AIR HANDLERS	FURNACES	TOTAL ¹	SENS. ¹	SEER ²	EER ³		
GSX14 0191K* (cont.)	CSCF3036N6D*+TXV	G*VC960403BNA*	17,800	13,100	15.0	12.5	615	7515814
	CSCF3036N6D*+TXV	G*VC960603BNA*	17,800	13,100	15.0	12.5	625	7515815
	CSCF3036N6D*+TXV	G*VC960803BNA*	17,800	13,100	15.0	12.5	620	7515816
	CSCF3036N6D*+TXV	G*VM970603BNA*	17,800	13,100	15.0	12.5	625	7515817
	CSCF3036N6D*+TXV	G*VM970804CNA*	17,800	13,100	15.0	12.5	620	7515818
	CSCF3642N6D*+TXV	A*EC960302BNA*	17,800	13,100	15.0	12.5	575	7515819
	CSCF3642N6D*+TXV	A*EC960402BNA*	17,800	13,100	15.0	12.5	575	7515820
	CSCF3642N6D*+TXV	A*EC960603BNA*	17,800	13,100	15.0	12.5	500	7515821
	CSCF3642N6D*+TXV	A*EC960803BNA*	17,800	13,100	15.0	12.5	540	7515822
	CSCF3642N6D*+TXV	G*EC960302BNA*	17,800	13,100	15.0	12.5	575	7515823
	CSCF3642N6D*+TXV	G*EC960402BNA*	17,800	13,100	15.0	12.5	575	7515824
	CSCF3642N6D*+TXV	G*EC960603BNA*	17,800	13,100	15.0	12.5	500	7515825
CSCF3642N6D*+TXV	G*EC960803BNA*	17,800	13,100	15.0	12.5	540	7515826	
GSX14 0241L*	ACNF25XX16A*		22,800	16,700	14.0	11.7	710	8631967
	ARUF29B14A*		23,600	17,300	14.0	11.5	720	8655532
	ARUF31B14A*		23,600	17,300	14.0	11.5	760	8655533
	ASPT24B14A*+HSK		23,000	16,900	14.0	11.5	740	8655534
	ASPT25B14A*+HSK		23,000	16,900	14.5	12.0	725	8655535
	ASPT29B14A*+HSK		23,600	17,300	15.0	12.5	745	8655536
	ASPT30C14A*+HSK		23,600	17,300	14.5	12.0	745	8655537
	AVPTC24B14A*+HSK		23,000	16,900	14.0	11.5	600	8655976
	AVPTC30C14A*+HSK		23,600	17,300	14.5	12.0	680	8655538
	AWUF25XX16A*		22,000	16,100	14.0	11.5	750	8631966
	AWUF31XX16A*		23,000	16,900	14.5	11.5	725	8655539
	AWUF32XX16A*		23,000	16,900	14.5	11.5	725	8655540
	CA*F3137*6A*	A*EC960302BNA*	23,400	17,200	14.5	11.5	745	8655546
	CA*F3137*6A*	G*EC960302BNA*	23,400	17,200	14.5	11.5	745	8655554
	CA*F3137*6A*	A*EC960402BNA*	23,400	17,200	14.5	11.5	710	8655562
	CA*F3137*6A*	G*EC960402BNA*	23,400	17,200	14.5	11.5	710	8655570
	CA*F3137*6A*	A*VC960403BNA*	23,600	17,300	14.5	11.5	750	8655578
	CA*F3137*6A*	G*VC960403BNA*	23,600	17,300	14.5	11.5	750	8655586
	CA*F3137*6A*	A*EC960603BNA*	23,400	17,200	14.5	11.5	725	8655594
	CA*F3137*6A*	G*EC960603BNA*	23,400	17,200	14.5	11.5	725	8655602
	CA*F3137*6A*	A*VC960603BNA*	23,600	17,300	14.5	11.5	745	8655610
	CA*F3137*6A*	G*VC960603BNA*	23,600	17,300	14.5	11.5	745	8655618
	CA*F3137*6A*	A*EC960803BNA*	23,400	17,200	14.5	11.5	735	8655626
	CA*F3137*6A*	G*EC960803BNA*	23,400	17,200	14.5	11.5	735	8655634
	CA*F3137*6A*	A*VC960803BNA*	23,600	17,300	14.5	11.5	740	8655642
	CA*F3137*6A*	G*VC960803BNA*	23,600	17,300	14.5	11.5	740	8655650
	CA*F3137*6A*	A*VM970603BNA*	23,600	17,300	14.5	11.5	745	8655670
	CA*F3137*6A*	G*VM970603BNA*	23,600	17,300	14.5	11.5	745	8655678
	CA*F3137*6A*	A*VM970803BNA*	23,600	17,300	14.5	11.5	740	8655686
	CA*F3137*6A*	G*VM970803BNA*	23,600	17,300	14.5	11.5	740	8655694
	CA*F3137*6A*	G*E80603B*B*	23,600	17,300	14.5	11.5	735	8655714
	CA*F3137*6A*	A*VC80604B*B*	23,600	17,300	14.5	11.5	745	8655720
	CA*F3137*6A*	G*VC80604B*B*	23,600	17,300	14.5	11.5	745	8655728
	CA*F3137*6A*	A*VC80805C*B*	23,600	17,300	14.5	11.5	740	8655736
	CA*F3137*6A*	G*VC80805C*B*	23,600	17,300	14.5	11.5	740	8655742
	CA*F3137*6A*+EHP		23,600	17,300	14.0	11.5	725	8655521
CA*F3137*6A*+EHP+TXV+HSK		23,600	17,300	14.5	12.0	725	8655522	
CA*F3137*6A*+TXV+HSK	A*EC960302BNA*	23,400	17,200	15.0	12.2	745	8655547	
CA*F3137*6A*+TXV+HSK	G*EC960302BNA*	23,400	17,200	15.0	12.2	745	8655555	
CA*F3137*6A*+TXV+HSK	A*EC960402BNA*	23,400	17,200	14.5	12.0	710	8655563	

See Notes on Page 47.

AHRI RATINGS (CONT.)

OUTDOOR UNIT	INDOOR UNITS		COOLING RATINGS				CFM	AHRI #
	COILS/AIR HANDLERS	FURNACES	TOTAL ¹	SENS. ¹	SEER ²	EER ³		
GSX14 0241L* (cont.)	CA*F3137*6A*+TXV+HSK	G*EC960402BNA*	23,400	17,200	14.5	12.0	710	8655571
	CA*F3137*6A*+TXV+HSK	A*VC960403BNA*	23,600	17,300	15.0	12.2	750	8655579
	CA*F3137*6A*+TXV+HSK	G*VC960403BNA*	23,600	17,300	15.0	12.2	750	8655587
	CA*F3137*6A*+TXV+HSK	A*EC960603BNA*	23,400	17,200	15.0	12.2	725	8655595
	CA*F3137*6A*+TXV+HSK	G*EC960603BNA*	23,400	17,200	15.0	12.2	725	8655603
	CA*F3137*6A*+TXV+HSK	A*VC960603BNA*	23,600	17,300	15.0	12.2	745	8655611
	CA*F3137*6A*+TXV+HSK	G*VC960603BNA*	23,600	17,300	15.0	12.2	745	8655619
	CA*F3137*6A*+TXV+HSK	A*EC960803BNA*	23,400	17,200	15.0	12.2	735	8655627
	CA*F3137*6A*+TXV+HSK	G*EC960803BNA*	23,400	17,200	15.0	12.2	735	8655635
	CA*F3137*6A*+TXV+HSK	A*VC960803BNA*	23,600	17,300	15.0	12.2	740	8655643
	CA*F3137*6A*+TXV+HSK	G*VC960803BNA*	23,600	17,300	15.0	12.2	740	8655651
	CA*F3137*6A*+TXV+HSK	A*VM970603BNA*	23,600	17,300	15.0	12.2	745	8655671
	CA*F3137*6A*+TXV+HSK	G*VM970603BNA*	23,600	17,300	15.0	12.2	745	8655679
	CA*F3137*6A*+TXV+HSK	A*VM970803BNA*	23,600	17,300	15.0	12.2	740	8655687
	CA*F3137*6A*+TXV+HSK	G*VM970803BNA*	23,600	17,300	15.0	12.2	740	8655695
	CA*F3137*6A*+TXV+HSK	G*E80603B*B*	23,600	17,300	15.0	12.2	735	8655715
	CA*F3137*6A*+TXV+HSK	A*VC80604B*B*	23,600	17,300	15.0	12.2	745	8655721
	CA*F3137*6A*+TXV+HSK	G*VC80604B*B*	23,600	17,300	15.0	12.2	745	8655729
	CA*F3137*6A*+TXV+HSK	A*VC80805C*B*	23,600	17,300	15.0	12.2	740	8655737
	CA*F3137*6A*+TXV+HSK	G*VC80805C*B*	23,600	17,300	15.0	12.2	740	8655743
	CA*F3636*6D*	A*EC960302BNA*	23,400	17,200	14.5	11.5	745	8655545
	CA*F3636*6D*	G*EC960302BNA*	23,400	17,200	14.5	11.5	745	8655553
	CA*F3636*6D*	A*EC960402BNA*	23,400	17,200	14.5	11.5	710	8655561
	CA*F3636*6D*	G*EC960402BNA*	23,400	17,200	14.5	11.5	710	8655569
	CA*F3636*6D*	A*VC960403BNA*	23,600	17,300	14.5	11.5	750	8655577
	CA*F3636*6D*	G*VC960403BNA*	23,600	17,300	14.5	11.5	750	8655585
	CA*F3636*6D*	A*EC960603BNA*	23,400	17,200	14.5	11.5	725	8655593
	CA*F3636*6D*	G*EC960603BNA*	23,400	17,200	14.5	11.5	725	8655601
	CA*F3636*6D*	A*VC960603BNA*	23,600	17,300	14.5	11.5	745	8655609
	CA*F3636*6D*	G*VC960603BNA*	23,600	17,300	14.5	11.5	745	8655617
	CA*F3636*6D*	A*EC960803BNA*	23,400	17,200	14.5	11.5	735	8655625
	CA*F3636*6D*	G*EC960803BNA*	23,400	17,200	14.5	11.5	735	8655633
	CA*F3636*6D*	A*VC960803BNA*	23,600	17,300	14.5	11.5	740	8655641
	CA*F3636*6D*	G*VC960803BNA*	23,600	17,300	14.5	11.5	740	8655649
	CA*F3636*6D*	A*VC960804CNA*	23,600	17,300	14.5	11.5	760	8655657
	CA*F3636*6D*	G*VC960804CNA*	23,600	17,300	14.5	11.5	760	8655663
	CA*F3636*6D*	A*VM970603BNA*	23,600	17,300	14.5	11.5	745	8655669
	CA*F3636*6D*	G*VM970603BNA*	23,600	17,300	14.5	11.5	745	8655677
	CA*F3636*6D*	A*VM970803BNA*	23,600	17,300	14.5	11.5	740	8655685
	CA*F3636*6D*	G*VM970803BNA*	23,600	17,300	14.5	11.5	740	8655693
	CA*F3636*6D*	A*VM970804CNA*	23,600	17,300	14.5	11.5	795	8655701
	CA*F3636*6D*	G*VM970804CNA*	23,600	17,300	14.5	11.5	795	8655707
CA*F3636*6D*	G*E80603B*B*	23,600	17,300	14.5	11.5	735	8655713	
CA*F3636*6D*	A*VC80604B*B*	23,600	17,300	14.5	11.5	745	8655719	
CA*F3636*6D*	G*VC80604B*B*	23,600	17,300	14.5	11.5	745	8655727	
CA*F3636*6D*	A*VC80805C*B*	23,600	17,300	14.5	11.5	740	8655735	
CA*F3636*6D*	G*VC80805C*B*	23,600	17,300	14.5	11.5	740	8655741	
CA*F3636*6D*+EEP		23,200	17,000	14.0	11.5	725	8655519	
CA*F3636*6D*+EEP+TXV+HSK		23,200	17,000	14.0	11.5	725	8631965	
CA*F3636*6D*+MBVC1200*-1A*		23,600	17,300	14.5	12.0	735	8655541	
CA*F3636*6D*+TXV+HSK	A*EC960302BNA*	23,400	17,200	14.5	11.5	745	8655544	
CA*F3636*6D*+TXV+HSK	G*EC960302BNA*	23,400	17,200	14.5	11.5	745	8655552	
CA*F3636*6D*+TXV+HSK	A*EC960402BNA*	23,400	17,200	14.5	11.5	710	8655560	

See Notes on Page 47.

OUTDOOR UNIT	INDOOR UNITS		COOLING RATINGS				CFM	AHRI #
	COILS/AIR HANDLERS	FURNACES	TOTAL ¹	SENS. ¹	SEER ²	EER ³		
GSX14 0241L* (cont.)	CA*F3636*6D*+TXV+HSK	G*EC960402BNA*	23,400	17,200	14.5	11.5	710	8655568
	CA*F3636*6D*+TXV+HSK	A*VC960403BNA*	23,600	17,300	14.5	11.5	750	8655576
	CA*F3636*6D*+TXV+HSK	G*VC960403BNA*	23,600	17,300	14.5	11.5	750	8655584
	CA*F3636*6D*+TXV+HSK	A*EC960603BNA*	23,400	17,200	14.5	11.5	725	8655592
	CA*F3636*6D*+TXV+HSK	G*EC960603BNA*	23,400	17,200	14.5	11.5	725	8655600
	CA*F3636*6D*+TXV+HSK	A*VC960603BNA*	23,600	17,300	14.5	11.5	745	8655608
	CA*F3636*6D*+TXV+HSK	G*VC960603BNA*	23,600	17,300	14.5	11.5	745	8655616
	CA*F3636*6D*+TXV+HSK	A*EC960803BNA*	23,400	17,200	14.5	11.5	735	8655624
	CA*F3636*6D*+TXV+HSK	G*EC960803BNA*	23,400	17,200	14.5	11.5	735	8655632
	CA*F3636*6D*+TXV+HSK	A*VC960803BNA*	23,600	17,300	14.5	11.5	740	8655640
	CA*F3636*6D*+TXV+HSK	G*VC960803BNA*	23,600	17,300	14.5	11.5	740	8655648
	CA*F3636*6D*+TXV+HSK	A*VC960804CNA*	23,600	17,300	14.5	11.5	760	8655656
	CA*F3636*6D*+TXV+HSK	G*VC960804CNA*	23,600	17,300	14.5	11.5	760	8655662
	CA*F3636*6D*+TXV+HSK	A*VM970603BNA*	23,600	17,300	14.5	11.5	745	8655668
	CA*F3636*6D*+TXV+HSK	G*VM970603BNA*	23,600	17,300	14.5	11.5	745	8655676
	CA*F3636*6D*+TXV+HSK	A*VM970803BNA*	23,600	17,300	14.5	11.5	740	8655684
	CA*F3636*6D*+TXV+HSK	G*VM970803BNA*	23,600	17,300	14.5	11.5	740	8655692
	CA*F3636*6D*+TXV+HSK	A*VM970804CNA*	23,600	17,300	14.5	11.5	760	8655700
	CA*F3636*6D*+TXV+HSK	G*VM970804CNA*	23,600	17,300	14.5	11.5	795	8655706
	CA*F3636*6D*+TXV+HSK	G*E80603B*B*	23,600	17,300	14.5	11.5	735	8655712
	CA*F3636*6D*+TXV+HSK	A*VC80604B*B*	23,600	17,300	14.5	11.5	755	8655718
	CA*F3636*6D*+TXV+HSK	G*VC80604B*B*	23,600	17,300	14.5	11.5	745	8655726
	CA*F3636*6D*+TXV+HSK	A*VC80805C*B*	23,600	17,300	14.5	11.5	740	8655734
	CA*F3636*6D*+TXV+HSK	G*VC80805C*B*	23,600	17,300	14.5	11.5	740	8655740
	CA*F3642*6D*+EEP		23,600	17,300	14.0	11.5	725	8655520
	CA*F3743*6D*	A*VC960804CNA*	23,600	17,300	14.5	11.5	760	8655658
	CA*F3743*6D*	G*VC960804CNA*	23,600	17,300	14.5	11.5	760	8655664
	CA*F3743*6D*	A*VM970804CNA*	23,600	17,300	14.5	11.5	795	8655702
	CA*F3743*6D*	G*VM970804CNA*	23,600	17,300	14.5	11.5	795	8655708
	CA*F3743*6D*+TXV+HSK	A*VC960804CNA*	23,600	17,300	14.5	12.0	760	8655659
	CA*F3743*6D*+TXV+HSK	G*VC960804CNA*	23,600	17,300	14.5	12.0	760	8655665
	CA*F3743*6D*+TXV+HSK	A*VM970804CNA*	23,600	17,300	14.5	12.0	795	8655703
	CA*F3743*6D*+TXV+HSK	G*VM970804CNA*	23,600	17,300	14.5	12.0	795	8655709
	CAPT3743*4A*+EEP+HSK		23,000	16,900	14.0	11.5	725	8655523
	CAPT3743*4A*+MBVC1200**-1A*+HSK		23,600	17,300	14.5	12.0	735	8655542
	CHPF3636B6C*	A*EC960302BNA*	23,400	17,200	14.5	11.5	745	8655548
	CHPF3636B6C*	G*EC960302BNA*	23,400	17,200	14.5	11.5	745	8655556
	CHPF3636B6C*	A*EC960402BNA*	23,400	17,200	14.5	11.5	710	8655564
	CHPF3636B6C*	G*EC960402BNA*	23,400	17,200	14.5	11.5	710	8655572
	CHPF3636B6C*	A*VC960403BNA*	23,600	17,300	14.5	11.5	750	8655580
	CHPF3636B6C*	G*VC960403BNA*	23,600	17,300	14.5	11.5	750	8655588
	CHPF3636B6C*	A*EC960603BNA*	23,400	17,200	14.5	11.5	725	8655596
	CHPF3636B6C*	G*EC960603BNA*	23,400	17,200	14.5	11.5	725	8655604
	CHPF3636B6C*	A*VC960603BNA*	23,600	17,300	14.5	11.5	745	8655612
	CHPF3636B6C*	G*VC960603BNA*	23,600	17,300	14.5	11.5	745	8655620
CHPF3636B6C*	A*EC960803BNA*	23,400	17,200	14.5	11.5	735	8655628	
CHPF3636B6C*	G*EC960803BNA*	23,400	17,200	14.5	11.5	735	8655636	
CHPF3636B6C*	A*VC960803BNA*	23,600	17,300	14.5	11.5	740	8655644	
CHPF3636B6C*	G*VC960803BNA*	23,600	17,300	14.5	11.5	740	8655652	
CHPF3636B6C*	A*VM970603BNA*	23,600	17,300	14.5	11.5	745	8655672	
CHPF3636B6C*	G*VM970603BNA*	23,600	17,300	14.5	11.5	745	8655680	
CHPF3636B6C*	A*VM970803BNA*	23,600	17,300	14.5	11.5	740	8655688	
CHPF3636B6C*	G*VM970803BNA*	23,600	17,300	14.5	11.5	740	8655696	

See Notes on Page 47.

OUTDOOR UNIT	INDOOR UNITS		COOLING RATINGS				CFM	AHRI #
	COILS/AIR HANDLERS	FURNACES	TOTAL ¹	SENS. ¹	SEER ²	EER ³		
GSX14 0241L* (cont.)	CHPF3636B6C*	G*E80603B*B*	23,600	17,300	14.5	11.5	735	8655716
	CHPF3636B6C*	A*VC80604B*B*	23,600	17,300	14.5	11.5	745	8655722
	CHPF3636B6C*	G*VC80604B*B*	23,600	17,300	14.5	11.5	745	8655730
	CHPF3636B6C*+EEP		23,600	17,300	14.0	11.5	725	8655524
	CHPF3636B6C*+EEP+TXV+HSK		23,600	17,300	14.5	11.5	725	8655525
	CHPF3636B6C*+MBVC1200**-1A*		23,600	17,300	14.5	12.0	735	8655543
	CHPF3636B6C*+TXV+HSK	A*EC960302BNA*	23,400	17,200	14.5	11.5	745	8655549
	CHPF3636B6C*+TXV+HSK	G*EC960302BNA*	23,400	17,200	14.5	11.5	745	8655557
	CHPF3636B6C*+TXV+HSK	A*EC960402BNA*	23,400	17,200	14.5	11.5	710	8655565
	CHPF3636B6C*+TXV+HSK	G*EC960402BNA*	23,400	17,200	14.5	11.5	710	8655573
	CHPF3636B6C*+TXV+HSK	A*VC960403BNA*	23,600	17,300	14.5	11.5	750	8655581
	CHPF3636B6C*+TXV+HSK	G*VC960403BNA*	23,600	17,300	14.5	11.5	750	8655589
	CHPF3636B6C*+TXV+HSK	A*EC960603BNA*	23,400	17,200	14.5	11.5	725	8655597
	CHPF3636B6C*+TXV+HSK	G*EC960603BNA*	23,400	17,200	14.5	11.5	725	8655605
	CHPF3636B6C*+TXV+HSK	A*VC960603BNA*	23,600	17,300	14.5	11.5	745	8655613
	CHPF3636B6C*+TXV+HSK	G*VC960603BNA*	23,600	17,300	14.5	11.5	745	8655621
	CHPF3636B6C*+TXV+HSK	A*EC960803BNA*	23,400	17,200	14.5	11.5	735	8655629
	CHPF3636B6C*+TXV+HSK	G*EC960803BNA*	23,400	17,200	14.5	11.5	735	8655637
	CHPF3636B6C*+TXV+HSK	A*VC960803BNA*	23,600	17,300	14.5	11.5	740	8655645
	CHPF3636B6C*+TXV+HSK	G*VC960803BNA*	23,600	17,300	14.5	11.5	740	8655653
	CHPF3636B6C*+TXV+HSK	A*VM970603BNA*	23,600	17,300	14.5	11.5	745	8655673
	CHPF3636B6C*+TXV+HSK	G*VM970603BNA*	23,600	17,300	14.5	11.5	745	8655681
	CHPF3636B6C*+TXV+HSK	A*VM970803BNA*	23,600	17,300	14.5	11.5	740	8655689
	CHPF3636B6C*+TXV+HSK	G*VM970803BNA*	23,600	17,300	14.5	11.5	740	8655697
	CHPF3636B6C*+TXV+HSK	G*E80603B*B*	23,600	17,300	14.5	11.5	735	8655717
	CHPF3636B6C*+TXV+HSK	A*VC80604B*B*	23,600	17,300	14.5	11.5	745	8655723
	CHPF3636B6C*+TXV+HSK	G*VC80604B*B*	23,600	17,300	14.5	11.5	745	8655731
	CHPF3642C6C*+EEP		23,600	17,300	14.0	11.5	725	8655526
	CHPF3642C6C*+EEP+TXV+HSK		23,600	17,300	14.5	11.5	725	8655527
	CSCF3036N6D*	A*EC960302BNA*	23,400	17,200	14.5	11.5	745	8655551
	CSCF3036N6D*	G*EC960302BNA*	23,400	17,200	14.5	11.5	745	8655559
	CSCF3036N6D*	A*EC960402BNA*	23,400	17,200	14.5	11.5	710	8655567
	CSCF3036N6D*	G*EC960402BNA*	23,400	17,200	14.5	11.5	710	8655575
	CSCF3036N6D*	A*VC960403BNA*	23,600	17,300	14.5	11.5	750	8655583
	CSCF3036N6D*	G*VC960403BNA*	23,600	17,300	14.5	11.5	750	8655591
	CSCF3036N6D*	A*EC960603BNA*	23,400	17,200	14.5	11.5	725	8655599
	CSCF3036N6D*	G*EC960603BNA*	23,400	17,200	14.5	11.5	725	8655607
	CSCF3036N6D*	A*VC960603BNA*	23,600	17,300	14.5	11.5	745	8655615
	CSCF3036N6D*	G*VC960603BNA*	23,600	17,300	14.5	11.5	745	8655623
	CSCF3036N6D*	A*EC960803BNA*	23,400	17,200	14.5	11.5	735	8655631
	CSCF3036N6D*	G*EC960803BNA*	23,400	17,200	14.5	11.5	735	8655639
	CSCF3036N6D*	A*VC960803BNA*	23,600	17,300	14.5	11.5	740	8655647
	CSCF3036N6D*	G*VC960803BNA*	23,600	17,300	14.5	11.5	740	8655655
	CSCF3036N6D*	A*VC960804CNA*	23,600	17,300	14.5	11.5	760	8655661
	CSCF3036N6D*	G*VC960804CNA*	23,600	17,300	14.5	11.5	760	8655667
	CSCF3036N6D*	A*VM970603BNA*	23,600	17,300	14.5	11.5	745	8655675
CSCF3036N6D*	G*VM970603BNA*	23,600	17,300	14.5	11.5	745	8655683	
CSCF3036N6D*	A*VM970803BNA*	23,600	17,300	14.5	11.5	740	8655691	
CSCF3036N6D*	G*VM970803BNA*	23,600	17,300	14.5	11.5	740	8655699	
CSCF3036N6D*	A*VM970804CNA*	23,600	17,300	14.5	11.5	795	8655705	
CSCF3036N6D*	G*VM970804CNA*	23,600	17,300	14.5	11.5	795	8655711	
CSCF3036N6D*	A*VC80604B*B*	23,600	17,300	14.5	11.5	745	8655725	
CSCF3036N6D*	G*VC80604B*B*	23,600	17,300	14.5	11.5	745	8655733	

See Notes on Page 47.

OUTDOOR UNIT	INDOOR UNITS		COOLING RATINGS				CFM	AHRI #
	COILS/AIR HANDLERS	FURNACES	TOTAL ¹	SENS. ¹	SEER ²	EER ³		
GSX14 0241L* (cont.)	CSCF3036N6D*	A*VC80805C*B*	23,600	17,300	14.5	11.5	740	8655739
	CSCF3036N6D*	G*VC80805C*B*	23,600	17,300	14.5	11.5	740	8655745
	CSCF3036N6D*+EEP		23,600	17,300	14.0	11.5	725	8655528
	CSCF3036N6D*+EEP+TXV+HSK		23,600	17,300	14.0	11.5	725	8655529
	CSCF3036N6D*+TXV+HSK	A*EC960302BNA*	23,400	17,200	14.5	11.5	745	8655550
	CSCF3036N6D*+TXV+HSK	G*EC960302BNA*	23,400	17,200	14.5	11.5	745	8655558
	CSCF3036N6D*+TXV+HSK	A*EC960402BNA*	23,400	17,200	14.5	11.5	710	8655566
	CSCF3036N6D*+TXV+HSK	G*EC960402BNA*	23,400	17,200	14.5	11.5	710	8655574
	CSCF3036N6D*+TXV+HSK	A*VC960403BNA*	23,600	17,300	14.5	11.5	750	8655582
	CSCF3036N6D*+TXV+HSK	G*VC960403BNA*	23,600	17,300	14.5	11.5	750	8655590
	CSCF3036N6D*+TXV+HSK	A*EC960603BNA*	23,400	17,200	14.5	11.5	725	8655598
	CSCF3036N6D*+TXV+HSK	G*EC960603BNA*	23,400	17,200	14.5	11.5	725	8655606
	CSCF3036N6D*+TXV+HSK	A*VC960603BNA*	23,600	17,300	14.5	11.5	745	8655614
	CSCF3036N6D*+TXV+HSK	G*VC960603BNA*	23,600	17,300	14.5	11.5	745	8655622
	CSCF3036N6D*+TXV+HSK	A*EC960803BNA*	23,400	17,200	14.5	11.5	735	8655630
	CSCF3036N6D*+TXV+HSK	G*EC960803BNA*	23,400	17,200	14.5	11.5	735	8655638
	CSCF3036N6D*+TXV+HSK	A*VC960803BNA*	23,600	17,300	14.5	11.5	740	8655646
	CSCF3036N6D*+TXV+HSK	G*VC960803BNA*	23,600	17,300	14.5	11.5	740	8655654
	CSCF3036N6D*+TXV+HSK	A*VC960804CNA*	23,600	17,300	14.5	11.5	760	8655660
	CSCF3036N6D*+TXV+HSK	G*VC960804CNA*	23,600	17,300	14.5	11.5	760	8655666
	CSCF3036N6D*+TXV+HSK	A*VM970603BNA*	23,600	17,300	14.5	11.5	745	8655674
	CSCF3036N6D*+TXV+HSK	G*VM970603BNA*	23,600	17,300	14.5	11.5	745	8655682
	CSCF3036N6D*+TXV+HSK	A*VM970803BNA*	23,600	17,300	14.5	11.5	740	8655690
	CSCF3036N6D*+TXV+HSK	G*VM970803BNA*	23,600	17,300	14.5	11.5	740	8655698
	CSCF3036N6D*+TXV+HSK	A*VM970804CNA*	23,600	17,300	14.5	11.5	795	8655704
	CSCF3036N6D*+TXV+HSK	G*VM970804CNA*	23,600	17,300	14.5	11.5	795	8655710
	CSCF3036N6D*+TXV+HSK	A*VC80604B*B*	23,600	17,300	14.5	11.5	745	8655724
	CSCF3036N6D*+TXV+HSK	G*VC80604B*B*	23,600	17,300	14.5	11.5	745	8655732
	CSCF3036N6D*+TXV+HSK	A*VC80805C*B*	23,600	17,300	14.5	11.5	740	8655738
	CSCF3036N6D*+TXV+HSK	G*VC80805C*B*	23,600	17,300	14.5	11.5	740	8655744
CSCF3642N6D*+EEP		23,600	17,300	14.0	11.5	725	8655530	
CSCF3642N6D*+EEP+TXV+HSK		23,600	17,300	14.0	11.5	725	8655531	
GSX14 0251L*	ACNF25XX16A*		22,800	16,400	14.0	12.2	710	8740458
	ARUF29B14A*		23,600	16,900	14.0	12.2	860	8711404
	ARUF31B14A*		23,600	16,900	14.0	12.2	870	8711405
	ASPT24B14A*		23,000	16,500	14.0	12.2	810	8711406
	ASPT25B14A*		23,600	16,900	14.5	12.2	800	8711407
	ASPT29B14A*		24,000	17,200	15.0	12.5	790	8711408
	ASPT30C14A*		23,600	16,900	15.0	12.5	845	8711409
	AVPTC24B14A*		23,000	16,500	14.0	12.2	795	8711410
	AVPTC30C14A*		23,600	16,900	15.0	12.5	780	8711411
	AWUF25XX16A*		22,000	15,800	14.0	12.2	750	8711412
	AWUF31XX16A*		23,000	16,500	14.5	12.2	800	8711413
	AWUF32XX16A*		23,000	16,500	14.5	12.2	800	8711414
	CA*F3636*6D*	A*EC960302BNA*	23,400	16,800	14.5	12.2	750	8711415
	CA*F3636*6D*	A*EC960402BNA*	23,400	16,800	14.5	12.2	775	8711416
	CA*F3636*6D*	A*EC960603BNA*	23,400	16,800	14.5	12.2	775	8711417
	CA*F3636*6D*	A*EC960803BNA*	23,400	16,800	14.5	12.2	750	8711418
	CA*F3636*6D*	A*VC80604B*B*	23,600	16,900	15.0	12.5	750	8711419
	CA*F3636*6D*	A*VC80805C*B*	23,600	16,900	15.0	12.5	725	8711420
	CA*F3636*6D*	A*VC960403BNA*	23,600	16,900	15.0	12.5	805	8711421
	CA*F3636*6D*	A*VC960603BNA*	23,600	16,900	15.0	12.5	820	8711422
CA*F3636*6D*	A*VC960803BNA*	23,600	16,900	15.0	12.5	820	8711423	

See Notes on Page 47.

AHRI RATINGS (CONT.)

OUTDOOR UNIT	INDOOR UNITS		COOLING RATINGS				CFM	AHRI #
	COILS/AIR HANDLERS	FURNACES	TOTAL ¹	SENS. ¹	SEER ²	EER ³		
GSX14 0251L* (cont.)	CA*F3636*6D*	A*VC960804CNA*	23,600	16,900	15.0	12.5	810	8711424
	CA*F3636*6D*	A*VM970603BNA*	23,600	16,900	15.0	12.5	820	8711425
	CA*F3636*6D*	A*VM970803BNA*	23,600	16,900	15.0	12.5	800	8711426
	CA*F3636*6D*	A*VM970804CNA*	23,600	16,900	15.0	12.5	810	8711427
	CA*F3636*6D*	G*E80603B*B*	23,600	16,900	15.0	12.5	725	8711428
	CA*F3636*6D*	G*EC960302BNA*	23,400	16,800	14.5	12.2	750	8711429
	CA*F3636*6D*	G*EC960402BNA*	23,400	16,800	14.5	12.2	775	8711430
	CA*F3636*6D*	G*EC960603BNA*	23,400	16,800	14.5	12.2	775	8711431
	CA*F3636*6D*	G*EC960803BNA*	23,400	16,800	14.5	12.2	750	8711432
	CA*F3636*6D*	G*VC80604B*B*	23,600	16,900	15.0	12.5	750	8711433
	CA*F3636*6D*	G*VC80805C*B*	23,600	16,900	15.0	12.5	725	8711434
	CA*F3636*6D*	G*VC960403BNA*	23,600	16,900	15.0	12.5	805	8711435
	CA*F3636*6D*	G*VC960603BNA*	23,600	16,900	15.0	12.5	820	8711436
	CA*F3636*6D*	G*VC960803BNA*	23,600	16,900	15.0	12.5	820	8711437
	CA*F3636*6D*	G*VC960804CNA*	23,600	16,900	15.0	12.5	810	8711438
	CA*F3636*6D*	G*VM970603BNA*	23,600	16,900	15.0	12.5	820	8711439
	CA*F3636*6D*	G*VM970803BNA*	23,600	16,900	15.0	12.5	800	8711440
	CA*F3636*6D*	G*VM970804CNA*	23,600	16,900	15.0	12.5	810	8711441
	CA*F3636*6D*+EEP		23,600	16,900	14.0	12.2	725	8711442
	CA*F3636*6D*+EEP+TXV		23,600	16,900	14.0	12.2	725	8711443
	CA*F3636*6D*+MBVC1200*-1A*		23,600	16,900	15.0	12.5	775	8711444
	CA*F3636*6D*+TXV	A*EC960302BNA*	23,400	16,800	15.0	12.5	750	8711445
	CA*F3636*6D*+TXV	A*EC960402BNA*	23,400	16,800	15.0	12.5	775	8711446
	CA*F3636*6D*+TXV	A*EC960603BNA*	23,400	16,800	15.0	12.5	775	8711447
	CA*F3636*6D*+TXV	A*EC960803BNA*	23,400	16,800	15.0	12.5	750	8711448
	CA*F3636*6D*+TXV	A*VC80604B*B*	23,600	16,900	15.0	12.5	750	8711449
	CA*F3636*6D*+TXV	A*VC80805C*B*	23,600	16,900	15.0	12.5	725	8711450
	CA*F3636*6D*+TXV	A*VC960403BNA*	23,600	16,900	15.0	12.5	805	8711451
	CA*F3636*6D*+TXV	A*VC960603BNA*	23,600	16,900	15.0	12.5	820	8711452
	CA*F3636*6D*+TXV	A*VC960803BNA*	23,600	16,900	15.0	12.5	800	8711453
	CA*F3636*6D*+TXV	A*VC960804CNA*	23,600	16,900	15.0	12.5	810	8711454
	CA*F3636*6D*+TXV	A*VM970603BNA*	23,600	16,900	15.0	12.5	820	8711455
	CA*F3636*6D*+TXV	A*VM970803BNA*	23,600	16,900	15.0	12.5	800	8711456
	CA*F3636*6D*+TXV	A*VM970804CNA*	23,600	16,900	15.0	12.5	810	8711457
	CA*F3636*6D*+TXV	G*E80603B*B*	23,600	16,900	15.0	12.5	725	8711458
	CA*F3636*6D*+TXV	G*EC960302BNA*	23,400	16,800	15.0	12.5	750	8711459
	CA*F3636*6D*+TXV	G*EC960402BNA*	23,400	16,800	15.0	12.5	775	8711460
	CA*F3636*6D*+TXV	G*EC960603BNA*	23,400	16,800	15.0	12.5	775	8711461
	CA*F3636*6D*+TXV	G*EC960803BNA*	23,400	16,800	15.0	12.5	750	8711462
	CA*F3636*6D*+TXV	G*VC80604B*B*	23,600	16,900	15.0	12.5	750	8711463
	CA*F3636*6D*+TXV	G*VC80805C*B*	23,600	16,900	15.0	12.5	725	8711464
	CA*F3636*6D*+TXV	G*VC960403BNA*	23,600	16,900	15.0	12.5	805	8711465
	CA*F3636*6D*+TXV	G*VC960603BNA*	23,600	16,900	15.0	12.5	820	8711466
	CA*F3636*6D*+TXV	G*VC960803BNA*	23,600	16,900	15.0	12.5	800	8711467
	CA*F3636*6D*+TXV	G*VC960804CNA*	23,600	16,900	15.0	12.5	810	8711468
CA*F3636*6D*+TXV	G*VM970603BNA*	23,600	16,900	15.0	12.5	820	8711469	
CA*F3636*6D*+TXV	G*VM970803BNA*	23,600	16,900	15.0	12.5	800	8711470	
CA*F3636*6D*+TXV	G*VM970804CNA*	23,600	16,900	15.0	12.5	810	8711471	
CA*F3743*6D*+EEP		23,800	17,100	14.0	12.2	725	8711472	
CA*F3743*6D*+EEP+TXV		23,800	17,100	14.5	12.2	725	8711473	
CAPT3743*4A*	A*EC960302BNA*	23,400	16,800	14.5	12.2	750	8711474	
CAPT3743*4A*	A*EC960402BNA*	23,400	16,800	14.5	12.2	775	8711475	
CAPT3743*4A*	A*EC960603BNA*	23,400	16,800	14.5	12.2	725	8711476	

See Notes on Page 47.

OUTDOOR UNIT	INDOOR UNITS		COOLING RATINGS				CFM	AHRI #
	COILS/AIR HANDLERS	FURNACES	TOTAL ¹	SENS. ¹	SEER ²	EER ³		
GSX14 0251L* (cont.)	CAPT3743*4A*	A*EC960803BNA*	23,400	16,800	14.5	12.2	750	8711477
	CAPT3743*4A*	A*VC80604B*B*	23,600	16,900	15.0	12.5	750	8711478
	CAPT3743*4A*	A*VC80805C*B*	23,600	16,900	15.0	12.5	725	8711479
	CAPT3743*4A*	A*VC960403BNA*	23,400	16,800	15.0	12.5	805	8711480
	CAPT3743*4A*	A*VC960603BNA*	23,400	16,800	15.0	12.5	820	8711481
	CAPT3743*4A*	A*VC960803BNA*	23,400	16,800	15.0	12.5	800	8711482
	CAPT3743*4A*	A*VC960804CNA*	23,600	16,900	15.0	12.5	810	8711483
	CAPT3743*4A*	A*VM970603BNA*	23,400	16,800	15.0	12.5	820	8711484
	CAPT3743*4A*	A*VM970803BNA*	23,400	16,800	15.0	12.5	800	8711485
	CAPT3743*4A*	A*VM970804CNA*	23,600	16,900	15.0	12.5	810	8711486
	CAPT3743*4A*	G*E80603B*B*	23,600	16,900	15.0	12.5	725	8711487
	CAPT3743*4A*	G*EC960302BNA*	23,400	16,800	14.5	12.2	750	8711488
	CAPT3743*4A*	G*EC960402BNA*	23,400	16,800	14.5	12.2	775	8711489
	CAPT3743*4A*	G*EC960603BNA*	23,400	16,800	14.5	12.2	725	8711490
	CAPT3743*4A*	G*EC960803BNA*	23,400	16,800	14.5	12.2	750	8711491
	CAPT3743*4A*	G*VC80604B*B*	23,600	16,900	15.0	12.5	750	8711492
	CAPT3743*4A*	G*VC80805C*B*	23,600	16,900	15.0	12.5	725	8711493
	CAPT3743*4A*	G*VC960403BNA*	23,400	16,800	15.0	12.5	805	8711494
	CAPT3743*4A*	G*VC960603BNA*	23,400	16,800	15.0	12.5	820	8711495
	CAPT3743*4A*	G*VC960803BNA*	23,400	16,800	15.0	12.5	800	8711496
	CAPT3743*4A*	G*VC960804CNA*	23,600	16,900	15.0	12.5	810	8711497
	CAPT3743*4A*	G*VM970603BNA*	23,400	16,800	15.0	12.5	820	8711498
	CAPT3743*4A*	G*VM970803BNA*	23,400	16,800	15.0	12.5	800	8711499
	CAPT3743*4A*	G*VM970804CNA*	23,600	16,900	15.0	12.5	810	8711500
	CAPT3743*4A*+EEP		23,600	16,900	14.0	12.2	725	8711501
	CAPT3743*4A*+MBVC1200*-1A*		23,600	16,900	14.5	12.2	775	8711502
	CHPF3636B6C*	A*EC960302BNA*	23,400	16,800	14.5	12.2	750	8711503
	CHPF3636B6C*	A*EC960402BNA*	23,400	16,800	14.5	12.2	775	8711504
	CHPF3636B6C*	A*EC960603BNA*	23,400	16,800	14.5	12.2	725	8711505
	CHPF3636B6C*	A*EC960803BNA*	23,400	16,800	14.5	12.2	750	8711506
	CHPF3636B6C*	A*VC80604B*B*	23,600	16,900	15.0	12.5	750	8711507
	CHPF3636B6C*	A*VC960403BNA*	23,600	16,900	15.0	12.5	805	8711508
	CHPF3636B6C*	A*VC960603BNA*	23,600	16,900	15.0	12.5	820	8711509
	CHPF3636B6C*	A*VC960803BNA*	23,600	16,900	15.0	12.5	800	8711510
	CHPF3636B6C*	A*VM970603BNA*	23,600	16,900	15.0	12.5	820	8711511
	CHPF3636B6C*	A*VM970803BNA*	23,600	16,900	15.0	12.5	800	8711512
	CHPF3636B6C*	G*E80603B*B*	23,600	16,900	15.0	12.5	725	8711513
	CHPF3636B6C*	G*EC960302BNA*	23,400	16,800	14.5	12.2	750	8711514
	CHPF3636B6C*	G*EC960402BNA*	23,400	16,800	14.5	12.2	775	8711515
	CHPF3636B6C*	G*EC960603BNA*	23,400	16,800	14.5	12.2	725	8711516
	CHPF3636B6C*	G*EC960803BNA*	23,400	16,800	14.5	12.2	750	8711517
	CHPF3636B6C*	G*VC80604B*B*	23,600	16,900	15.0	12.5	750	8711518
	CHPF3636B6C*	G*VC960403BNA*	23,600	16,900	15.0	12.5	805	8711519
	CHPF3636B6C*	G*VC960603BNA*	23,600	16,900	15.0	12.5	820	8711520
	CHPF3636B6C*	G*VC960803BNA*	23,600	16,900	15.0	12.5	800	8711521
CHPF3636B6C*	G*VM970603BNA*	23,600	16,900	15.0	12.5	820	8711522	
CHPF3636B6C*	G*VM970803BNA*	23,600	16,900	15.0	12.5	800	8711523	
CHPF3636B6C*+EEP		23,600	16,900	14.0	12.2	725	8711524	
CHPF3636B6C*+EEP+TXV		23,600	16,900	14.5	12.2	725	8711525	
CHPF3636B6C*+MBVC1200*-1A*		23,600	16,900	15.0	12.5	775	8711526	
CHPF3636B6C*+TXV	A*EC960302BNA*	23,400	16,800	14.5	12.2	750	8711527	
CHPF3636B6C*+TXV	A*EC960402BNA*	23,400	16,800	14.5	12.2	775	8711528	
CHPF3636B6C*+TXV	A*EC960603BNA*	23,400	16,800	14.5	12.2	725	8711529	

See Notes on Page 47.

AHRI RATINGS (CONT.)

OUTDOOR UNIT	INDOOR UNITS		COOLING RATINGS				CFM	AHRI #
	COILS/AIR HANDLERS	FURNACES	TOTAL ¹	SENS. ¹	SEER ²	EER ³		
GSX14 0251L* (cont.)	CHPF3636B6C*+TXV	A*EC960803BNA*	23,400	16,800	14.5	12.2	750	8711530
	CHPF3636B6C*+TXV	A*VC80604B*B*	23,600	16,900	15.0	12.5	750	8711531
	CHPF3636B6C*+TXV	A*VC960403BNA*	23,600	16,900	15.0	12.5	805	8711532
	CHPF3636B6C*+TXV	A*VC960603BNA*	23,600	16,900	15.0	12.5	820	8711533
	CHPF3636B6C*+TXV	A*VC960803BNA*	23,600	16,900	15.0	12.5	800	8711534
	CHPF3636B6C*+TXV	A*VM970603BNA*	23,600	16,900	15.0	12.5	820	8711535
	CHPF3636B6C*+TXV	A*VM970803BNA*	23,600	16,900	15.0	12.5	800	8711536
	CHPF3636B6C*+TXV	G*E80603B*B*	23,600	16,900	15.0	12.5	725	8711537
	CHPF3636B6C*+TXV	G*EC960302BNA*	23,400	16,800	14.5	12.2	750	8711538
	CHPF3636B6C*+TXV	G*EC960402BNA*	23,400	16,800	14.5	12.2	775	8711539
	CHPF3636B6C*+TXV	G*EC960603BNA*	23,400	16,800	14.5	12.2	725	8711540
	CHPF3636B6C*+TXV	G*EC960803BNA*	23,400	16,800	14.5	12.2	750	8711541
	CHPF3636B6C*+TXV	G*VC80604B*B*	23,600	16,900	15.0	12.5	750	8711542
	CHPF3636B6C*+TXV	G*VC960403BNA*	23,600	16,900	15.0	12.5	805	8711543
	CHPF3636B6C*+TXV	G*VC960603BNA*	23,600	16,900	15.0	12.5	820	8711544
	CHPF3636B6C*+TXV	G*VC960803BNA*	23,600	16,900	15.0	12.5	800	8711545
	CHPF3636B6C*+TXV	G*VM970603BNA*	23,600	16,900	15.0	12.5	820	8711546
	CHPF3636B6C*+TXV	G*VM970803BNA*	23,600	16,900	15.0	12.5	800	8711547
	CHPF3642C6C*	A*VC80805C*B*	23,600	16,900	15.0	12.5	725	8711548
	CHPF3642C6C*	A*VC960804CNA*	23,600	16,900	15.0	12.5	810	8711549
	CHPF3642C6C*	A*VM970804CNA*	23,600	16,900	15.0	12.5	810	8711550
	CHPF3642C6C*	G*VC80805C*B*	23,600	16,900	15.0	12.5	725	8711551
	CHPF3642C6C*	G*VC960804CNA*	23,600	16,900	15.0	12.5	810	8711552
	CHPF3642C6C*	G*VM970804CNA*	23,600	16,900	15.0	12.5	810	8711553
	CHPF3642C6C*+TXV	A*VC80805C*B*	23,600	16,900	15.0	12.5	725	8711554
	CHPF3642C6C*+TXV	A*VC960804CNA*	23,600	16,900	15.0	12.5	810	8711555
	CHPF3642C6C*+TXV	A*VM970804CNA*	23,600	16,900	15.0	12.5	810	8711556
	CHPF3642C6C*+TXV	G*VC80805C*B*	23,600	16,900	15.0	12.5	725	8711557
	CHPF3642C6C*+TXV	G*VC960804CNA*	23,600	16,900	15.0	12.5	810	8711558
	CHPF3642C6C*+TXV	G*VM970804CNA*	23,600	16,900	15.0	12.5	810	8711559
	CSCF3036N6D*	A*VC80604B*B*	23,600	16,900	15.0	12.5	750	8711560
	CSCF3036N6D*	A*VC80805C*B*	23,600	16,900	15.0	12.5	725	8711561
	CSCF3036N6D*	A*VC960403BNA*	23,600	16,900	15.0	12.5	805	8711562
	CSCF3036N6D*	A*VC960603BNA*	23,600	16,900	15.0	12.5	820	8711563
	CSCF3036N6D*	A*VC960803BNA*	23,600	16,900	15.0	12.5	800	8711564
	CSCF3036N6D*	A*VC960804CNA*	23,600	16,900	15.0	12.5	810	8711565
	CSCF3036N6D*	A*VM970603BNA*	23,600	16,900	15.0	12.5	820	8711566
	CSCF3036N6D*	A*VM970803BNA*	23,600	16,900	15.0	12.5	800	8711567
	CSCF3036N6D*	A*VM970804CNA*	23,600	16,900	15.0	12.5	810	8711568
	CSCF3036N6D*	G*VC80604B*B*	23,600	16,900	15.0	12.5	750	8711569
	CSCF3036N6D*	G*VC80805C*B*	23,600	16,900	15.0	12.5	725	8711570
	CSCF3036N6D*	G*VC960403BNA*	23,600	16,900	15.0	12.5	805	8711571
CSCF3036N6D*	G*VC960603BNA*	23,600	16,900	15.0	12.5	820	8711572	
CSCF3036N6D*	G*VC960803BNA*	23,600	16,900	15.0	12.5	800	8711573	
CSCF3036N6D*	G*VC960804CNA*	23,600	16,900	15.0	12.5	810	8711574	
CSCF3036N6D*	G*VM970603BNA*	23,600	16,900	15.0	12.5	820	8711575	
CSCF3036N6D*	G*VM970803BNA*	23,600	16,900	15.0	12.5	800	8711576	
CSCF3036N6D*	G*VM970804CNA*	23,600	16,900	15.0	12.5	810	8711577	
CSCF3036N6D*+EEP		23,200	16,700	14.0	12.2	800	8711578	
CSCF3036N6D*+EEP+TXV		23,200	16,700	14.0	12.2	800	8711579	
CSCF3036N6D*+TXV	A*VC80604B*B*	23,600	16,900	15.0	12.5	750	8711580	
CSCF3036N6D*+TXV	A*VC80805C*B*	23,600	16,900	15.0	12.5	725	8711581	
CSCF3036N6D*+TXV	A*VC960403BNA*	23,600	16,900	15.0	12.5	805	8711582	

See Notes on Page 47.

OUTDOOR UNIT	INDOOR UNITS		COOLING RATINGS				CFM	AHRI #
	COILS/AIR HANDLERS	FURNACES	TOTAL ¹	SENS. ¹	SEER ²	EER ³		
GSX14 0251L* (cont.)	CSCF3036N6D*+TXV	A*VC960603BNA*	23,600	16,900	15.0	12.5	820	8711583
	CSCF3036N6D*+TXV	A*VC960803BNA*	23,600	16,900	15.0	12.5	800	8711584
	CSCF3036N6D*+TXV	A*VC960804CNA*	23,600	16,900	15.0	12.5	810	8711585
	CSCF3036N6D*+TXV	A*VM970603BNA*	23,600	16,900	15.0	12.5	820	8711586
	CSCF3036N6D*+TXV	A*VM970803BNA*	23,600	16,900	15.0	12.5	800	8711587
	CSCF3036N6D*+TXV	A*VM970804CNA*	23,600	16,900	15.0	12.5	810	8711588
	CSCF3036N6D*+TXV	G*VC80604B*B*	23,600	16,900	15.0	12.5	750	8711589
	CSCF3036N6D*+TXV	G*VC80805C*B*	23,600	16,900	15.0	12.5	725	8711590
	CSCF3036N6D*+TXV	G*VC960403BNA*	23,600	16,900	15.0	12.5	805	8711591
	CSCF3036N6D*+TXV	G*VC960603BNA*	23,600	16,900	15.0	12.5	820	8711592
	CSCF3036N6D*+TXV	G*VC960803BNA*	23,600	16,900	15.0	12.5	800	8711593
	CSCF3036N6D*+TXV	G*VC960804CNA*	23,600	16,900	15.0	12.5	810	8711594
	CSCF3036N6D*+TXV	G*VM970603BNA*	23,600	16,900	15.0	12.5	820	8711595
	CSCF3036N6D*+TXV	G*VM970803BNA*	23,600	16,900	15.0	12.5	800	8711596
	CSCF3036N6D*+TXV	G*VM970804CNA*	23,600	16,900	15.0	12.5	810	8711597
	CSCF3642N6D*	A*EC960302BNA*	23,400	16,800	14.5	12.2	750	8711598
	CSCF3642N6D*	A*EC960402BNA*	23,400	16,800	14.5	12.2	775	8711599
	CSCF3642N6D*	A*EC960603BNA*	23,400	16,800	14.5	12.2	725	8711600
	CSCF3642N6D*	A*EC960803BNA*	23,400	16,800	14.5	12.2	750	8711601
	CSCF3642N6D*	G*EC960302BNA*	23,400	16,800	14.5	12.2	750	8711602
	CSCF3642N6D*	G*EC960402BNA*	23,400	16,800	14.5	12.2	775	8711603
	CSCF3642N6D*	G*EC960603BNA*	23,400	16,800	14.5	12.2	725	8711604
	CSCF3642N6D*	G*EC960803BNA*	23,400	16,800	14.5	12.2	750	8711605
	CSCF3642N6D*+TXV	A*EC960302BNA*	23,400	16,800	14.5	12.2	750	8711606
	CSCF3642N6D*+TXV	A*EC960402BNA*	23,400	16,800	14.5	12.2	775	8711607
	CSCF3642N6D*+TXV	A*EC960603BNA*	23,400	16,800	14.5	12.2	725	8711608
	CSCF3642N6D*+TXV	A*EC960803BNA*	23,400	16,800	14.5	12.2	750	8711609
	CSCF3642N6D*+TXV	G*EC960302BNA*	23,400	16,800	14.5	12.2	750	8711610
	CSCF3642N6D*+TXV	G*EC960402BNA*	23,400	16,800	14.5	12.2	775	8711611
	CSCF3642N6D*+TXV	G*EC960603BNA*	23,400	16,800	14.5	12.2	725	8711612
CSCF3642N6D*+TXV	G*EC960803BNA*	23,400	16,800	14.5	12.2	750	8711613	
GSX14 0301K*	ARUF31B14A*		28,200	21,000	14.0	11.5	870	7984193
	ASPT36C14A*		29,000	21,400	14.5	12.0	1,010	7516241
	ASPT37B14A*		29,000	21,400	14.5	12.0	945	8242058
	ASPT37C14A*		29,000	21,400	15.0	12.5	1,045	8242059
	AVPTC36C14A*		29,000	21,400	14.5	12.0	1,085	7516242
	AWUF31XX16A*		28,000	20,800	14.0	11.5	950	7516243
	AWUF31XX16A*+TXV		28,400	21,000	14.5	11.5	1,000	7516244
	AWUF32XX16A*		28,000	20,800	14.0	11.5	950	7516245
	AWUF32XX16A*+TXV		28,400	21,000	14.5	11.5	1,000	7516246
	AWUF37XX16B*		28,400	21,000	14.0	11.5	1,000	7516247
	AWUF37XX16B*+TXV		28,600	21,200	14.5	11.5	1,000	7516248
	CA*F3137*6A*+EEP		28,800	21,400	14.0	11.5	1,000	8187465
	CA*F3137*6A*+EEP+TXV		28,800	21,400	14.0	11.5	1,000	8187466
	CA*F3137*6A*+MBVC1200**-1A*		28,800	21,400	14.5	11.5	950	8187467
	CA*F3137*6A*+MBVC1200**-1A*+TXV		28,800	21,400	14.5	12.0	950	8187468
	CA*F3137*6A*+TXV	G*E80603B*B*	28,800	21,400	14.5	11.5	1,000	8187469
	CA*F3137*6A*+TXV	G*VC80604B*B*	28,400	21,000	14.5	11.5	1,000	8187470
	CA*F3137*6A*+TXV	G*VC960403BNA*	28,600	21,200	14.5	11.5	1,000	8187471
	CA*F3137*6A*+TXV	G*VC960603BNA*	28,800	21,400	14.5	11.5	1,000	8187472
	CA*F3137*6A*+TXV	G*VC960803BNA*	28,600	21,200	14.5	11.5	950	8187473
CA*F3137*6A*+TXV	G*VM970603BNA*	28,600	21,200	14.5	11.5	1,000	8187474	
CA*F3137*6A*+TXV	G*EC960302BNA*	28,200	21,000	14.5	11.5	940	8187475	

See Notes on Page 47.

AHRI RATINGS (CONT.)

OUTDOOR UNIT	INDOOR UNITS		COOLING RATINGS				CFM	AHRI #
	COILS/AIR HANDLERS	FURNACES	TOTAL ¹	SENS. ¹	SEER ²	EER ³		
GSX14 0301K* (cont.)	CA*F3137*6A*+TXV	G*EC960402BNA*	28,200	21,000	14.5	11.5	925	8187476
	CA*F3137*6A*+TXV	G*EC960603BNA*	28,200	21,000	14.5	11.5	965	8187477
	CA*F3137*6A*+TXV	G*EC960803BNA*	28,200	21,000	14.5	11.5	950	8187478
	CA*F3137*6A*+TXV	A*EH800603B*A*	28,800	21,400	14.5	11.5	1,000	8187490
	CA*F3137*6A*+TXV	A*VC80604B*B*	28,400	21,000	14.5	11.5	1,000	8187491
	CA*F3137*6A*+TXV	A*VC960403BNA*	28,600	21,200	14.5	11.5	1,000	8187492
	CA*F3137*6A*+TXV	A*VC960603BNA*	28,800	21,400	14.5	11.5	1,000	8187493
	CA*F3137*6A*+TXV	A*VC960803BNA*	28,600	21,200	14.5	11.5	950	8187494
	CA*F3137*6A*+TXV	A*VM970603BNA*	28,600	21,200	14.5	11.5	1,000	8187495
	CA*F3137*6A*+TXV	A*EC960302BNA*	28,200	21,000	14.5	11.5	940	8187496
	CA*F3137*6A*+TXV	A*EC960402BNA*	28,200	21,000	14.5	11.5	925	8187497
	CA*F3137*6A*+TXV	A*EC960603BNA*	28,200	21,000	14.5	11.5	965	8187498
	CA*F3137*6A*+TXV	A*EC960803BNA*	28,200	21,000	14.5	11.5	950	8187499
	CA*F3642*6D*	A*VC960804CNA*	28,600	21,200	14.5	11.5	1,000	7516285
	CA*F3642*6D*	A*VM970804CNA*	28,600	21,200	14.5	11.5	1,000	7516286
	CA*F3642*6D*	G*VC960804CNA*	28,600	21,200	14.5	11.5	1,000	7516287
	CA*F3642*6D*	G*VM970804CNA*	28,600	21,200	14.5	11.5	1,000	7516288
	CA*F3642*6D*+EEP		28,800	21,400	14.0	11.5	1,000	7516249
	CA*F3642*6D*+EEP+TXV		28,800	21,400	14.0	11.5	1,000	7516250
	CA*F3642*6D*+MBVC1200**-.1A*		28,800	21,400	14.5	11.5	980	7519535
	CA*F3642*6D*+MBVC1200**-.1A*+TXV		28,800	21,400	14.5	12.0	980	7516251
	CA*F3642*6D*+MBVC1600**-.1A*		28,800	21,400	14.5	11.5	1,000	7516252
	CA*F3642*6D*+MBVC1600**-.1A*+TXV		28,800	21,400	14.5	12.0	1,000	7516253
	CA*F3642*6D*+TXV	A*EC960302BNA*	28,200	21,000	14.5	11.5	940	7516254
	CA*F3642*6D*+TXV	A*EC960402BNA*	28,200	21,000	14.5	11.5	925	7516255
	CA*F3642*6D*+TXV	A*EC960603BNA*	28,200	21,000	14.5	11.5	965	7516256
	CA*F3642*6D*+TXV	A*EC960803BNA*	28,200	21,000	14.5	11.5	950	7516257
	CA*F3642*6D*+TXV	A*EC961004CNA*	28,600	21,200	14.5	11.5	1,025	7516258
	CA*F3642*6D*+TXV	A*VC80604B*B*	28,400	21,000	14.5	11.5	1,000	7516259
	CA*F3642*6D*+TXV	A*VC80805C*B*	28,400	21,000	14.5	11.5	990	7516260
	CA*F3642*6D*+TXV	A*VC81005C*B*	28,400	21,000	14.5	11.5	1,000	7516261
	CA*F3642*6D*+TXV	A*VC960403BNA*	28,600	21,200	14.5	11.5	1,000	7516262
	CA*F3642*6D*+TXV	A*VC960603BNA*	28,800	21,400	14.5	11.5	1,040	7516263
	CA*F3642*6D*+TXV	A*VC960803BNA*	28,600	21,200	14.5	11.5	975	7516264
	CA*F3642*6D*+TXV	A*VC960804CNA*	28,600	21,200	14.5	11.5	1,000	7516265
	CA*F3642*6D*+TXV	A*VM970603BNA*	28,600	21,200	14.5	11.5	1,040	7516266
	CA*F3642*6D*+TXV	A*VM970804CNA*	28,600	21,200	14.5	11.5	1,000	7516267
	CA*F3642*6D*+TXV	G*E80603B*B*	28,800	21,400	14.5	11.5	1,050	7516268
	CA*F3642*6D*+TXV	G*E80805C*B*	28,800	21,400	14.5	11.5	1,060	7516269
	CA*F3642*6D*+TXV	G*E81005C*B*	28,800	21,400	14.5	11.5	1,080	7516270
	CA*F3642*6D*+TXV	G*EC960302BNA*	28,200	21,000	14.5	11.5	940	7516271
	CA*F3642*6D*+TXV	G*EC960402BNA*	28,200	21,000	14.5	11.5	925	7516272
CA*F3642*6D*+TXV	G*EC960603BNA*	28,200	21,000	14.5	11.5	965	7516273	
CA*F3642*6D*+TXV	G*EC960803BNA*	28,200	21,000	14.5	11.5	950	7516274	
CA*F3642*6D*+TXV	G*EC961004CNA*	28,600	21,200	14.5	11.5	1,025	7516275	
CA*F3642*6D*+TXV	G*VC80604B*B*	28,400	21,000	14.5	11.5	1,000	7516276	
CA*F3642*6D*+TXV	G*VC80805C*B*	28,400	21,000	14.5	11.5	990	7516277	
CA*F3642*6D*+TXV	G*VC81005C*B*	28,400	21,000	14.5	11.5	1,000	7516278	
CA*F3642*6D*+TXV	G*VC960403BNA*	28,600	21,200	14.5	11.5	1,000	7516279	
CA*F3642*6D*+TXV	G*VC960603BNA*	28,800	21,400	14.5	11.5	1,040	7516280	
CA*F3642*6D*+TXV	G*VC960803BNA*	28,600	21,200	14.5	11.5	975	7516281	
CA*F3642*6D*+TXV	G*VC960804CNA*	28,600	21,200	14.5	11.5	1,000	7516282	
CA*F3642*6D*+TXV	G*VM970603BNA*	28,600	21,200	14.5	11.5	1,040	7516283	

See Notes on Page 47.

OUTDOOR UNIT	INDOOR UNITS		COOLING RATINGS				CFM	AHRI #
	COILS/AIR HANDLERS	FURNACES	TOTAL ¹	SENS. ¹	SEER ²	EER ³		
GSX14 0301K* (cont.)	CA*F3642*6D*+TXV	G*VM970804CNA*	28,600	21,200	14.5	11.5	1,000	7516284
	CA*F3743*6D*	A*VC960804CNA*	28,800	21,400	14.5	11.5	1,000	7516322
	CA*F3743*6D*	A*VM970804CNA*	28,600	21,200	14.5	11.5	1,000	7516323
	CA*F3743*6D*	G*VC960804CNA*	28,800	21,400	14.5	11.5	1,000	7516324
	CA*F3743*6D*	G*VM970804CNA*	28,600	21,200	14.5	11.5	1,000	7516325
	CA*F3743*6D*+EEP		28,800	21,400	14.0	11.5	1,000	7516289
	CA*F3743*6D*+EEP+TXV		28,800	21,400	14.0	11.5	1,000	7516290
	CA*F3743*6D*+TXV	A*EC960302BNA*	28,400	21,000	14.5	11.5	940	7516291
	CA*F3743*6D*+TXV	A*EC960402BNA*	28,400	21,000	14.5	11.5	925	7516292
	CA*F3743*6D*+TXV	A*EC960603BNA*	28,400	21,000	14.5	11.5	965	7516293
	CA*F3743*6D*+TXV	A*EC960803BNA*	28,400	21,000	14.5	11.5	950	7516294
	CA*F3743*6D*+TXV	A*EC961004CNA*	28,800	21,400	14.5	11.5	1,025	7516295
	CA*F3743*6D*+TXV	A*VC80604B*B*	28,600	21,200	14.5	11.5	1,000	7516296
	CA*F3743*6D*+TXV	A*VC80805C*B*	28,600	21,200	14.5	11.5	990	7516297
	CA*F3743*6D*+TXV	A*VC81005C*B*	28,600	21,200	14.5	11.5	1,000	7516298
	CA*F3743*6D*+TXV	A*VC960403BNA*	28,800	21,400	14.5	11.5	1,000	7516299
	CA*F3743*6D*+TXV	A*VC960603BNA*	28,800	21,400	14.5	11.5	1,040	7516300
	CA*F3743*6D*+TXV	A*VC960803BNA*	28,600	21,200	14.5	11.5	975	7516301
	CA*F3743*6D*+TXV	A*VC960804CNA*	28,800	21,400	14.5	11.5	1,000	7516302
	CA*F3743*6D*+TXV	A*VM970603BNA*	28,600	21,200	14.5	11.5	1,040	7516303
	CA*F3743*6D*+TXV	A*VM970804CNA*	28,600	21,200	14.5	11.5	1,000	7516304
	CA*F3743*6D*+TXV	G*E80603B*B*	28,800	21,400	14.5	12.0	1,050	7516305
	CA*F3743*6D*+TXV	G*E80805C*B*	28,800	21,400	14.5	12.0	1,060	7516306
	CA*F3743*6D*+TXV	G*E81005C*B*	28,800	21,400	14.5	11.5	1,080	7516307
	CA*F3743*6D*+TXV	G*EC960302BNA*	28,400	21,000	14.5	11.5	940	7516308
	CA*F3743*6D*+TXV	G*EC960402BNA*	28,400	21,000	14.5	11.5	925	7516309
	CA*F3743*6D*+TXV	G*EC960603BNA*	28,400	21,000	14.5	11.5	965	7516310
	CA*F3743*6D*+TXV	G*EC960803BNA*	28,400	21,000	14.5	11.5	950	7516311
	CA*F3743*6D*+TXV	G*EC961004CNA*	28,800	21,400	14.5	11.5	1,025	7516312
	CA*F3743*6D*+TXV	G*VC80604B*B*	28,600	21,200	14.5	11.5	1,000	7516313
	CA*F3743*6D*+TXV	G*VC80805C*B*	28,600	21,200	14.5	11.5	990	7516314
	CA*F3743*6D*+TXV	G*VC81005C*B*	28,600	21,200	14.5	11.5	1,000	7516315
	CA*F3743*6D*+TXV	G*VC960403BNA*	28,800	21,400	14.5	11.5	1,000	7516316
	CA*F3743*6D*+TXV	G*VC960603BNA*	28,800	21,400	14.5	11.5	1,040	7516317
	CA*F3743*6D*+TXV	G*VC960803BNA*	28,600	21,200	14.5	11.5	975	7516318
	CA*F3743*6D*+TXV	G*VC960804CNA*	28,800	21,400	14.5	11.5	1,000	7516319
	CA*F3743*6D*+TXV	G*VM970603BNA*	28,600	21,200	14.5	11.5	1,040	7516320
	CA*F3743*6D*+TXV	G*VM970804CNA*	28,600	21,200	14.5	11.5	1,000	7516321
	CAPT3743*4A*	A*EC960302BNA*	28,200	21,000	14.5	11.5	940	7516329
	CAPT3743*4A*	A*EC960402BNA*	28,200	21,000	14.5	11.5	925	7516330
	CAPT3743*4A*	A*EC960603BNA*	28,200	21,000	14.5	11.5	965	7516331
	CAPT3743*4A*	A*EC960803BNA*	28,200	21,000	14.5	11.5	950	7516332
CAPT3743*4A*	A*EC961004CNA*	28,600	21,200	14.5	11.5	1,025	7516333	
CAPT3743*4A*	A*VC80604B*B*	28,400	21,000	14.5	11.5	1,000	7516334	
CAPT3743*4A*	A*VC80805C*B*	28,400	21,000	14.5	11.5	990	7516335	
CAPT3743*4A*	A*VC81005C*B*	28,400	21,000	14.5	11.5	1,000	7516336	
CAPT3743*4A*	A*VC960403BNA*	28,600	21,200	14.5	11.5	1,000	7516337	
CAPT3743*4A*	A*VC960603BNA*	28,600	21,200	14.5	11.5	1,040	7516338	
CAPT3743*4A*	A*VC960803BNA*	28,400	21,000	14.5	11.5	975	7516339	
CAPT3743*4A*	A*VC960804CNA*	28,600	21,200	14.5	11.5	1,000	7516340	
CAPT3743*4A*	A*VM970603BNA*	28,600	21,200	14.5	11.5	1,040	7516341	
CAPT3743*4A*	A*VM970804CNA*	28,600	21,200	14.5	11.5	1,000	7516342	
CAPT3743*4A*	G*E80603B*B*	28,800	21,400	14.5	11.5	1,050	7516343	

See Notes on Page 47.

AHRI RATINGS (CONT.)

OUTDOOR UNIT	INDOOR UNITS		COOLING RATINGS				CFM	AHRI #
	COILS/AIR HANDLERS	FURNACES	TOTAL ¹	SENS. ¹	SEER ²	EER ³		
GSX14 0301K* (cont.)	CAPT3743*4A*	G*E80805C*B*	28,800	21,400	14.5	11.5	1,060	7516344
	CAPT3743*4A*	G*E81005C*B*	28,800	21,400	14.5	11.5	1,080	7516345
	CAPT3743*4A*	G*EC960302BNA*	28,200	21,000	14.5	11.5	940	7516346
	CAPT3743*4A*	G*EC960402BNA*	28,200	21,000	14.5	11.5	925	7516347
	CAPT3743*4A*	G*EC960603BNA*	28,200	21,000	14.5	11.5	965	7516348
	CAPT3743*4A*	G*EC960803BNA*	28,200	21,000	14.5	11.5	950	7516349
	CAPT3743*4A*	G*EC961004CNA*	28,600	21,200	14.5	11.5	1,025	7516350
	CAPT3743*4A*	G*VC80604B*B*	28,400	21,000	14.5	11.5	1,000	7516351
	CAPT3743*4A*	G*VC80805C*B*	28,400	21,000	14.5	11.5	990	7516352
	CAPT3743*4A*	G*VC81005C*B*	28,400	21,000	14.5	11.5	1,000	7516353
	CAPT3743*4A*	G*VC960403BNA*	28,600	21,200	14.5	11.5	1,000	7516354
	CAPT3743*4A*	G*VC960603BNA*	28,600	21,200	14.5	11.5	1,040	7516355
	CAPT3743*4A*	G*VC960803BNA*	28,400	21,000	14.5	11.5	975	7516356
	CAPT3743*4A*	G*VC960804CNA*	28,600	21,200	14.5	11.5	1,000	7516357
	CAPT3743*4A*	G*VM970603BNA*	28,600	21,200	14.5	11.5	1,040	7516358
	CAPT3743*4A*	G*VM970804CNA*	28,600	21,200	14.5	11.5	1,000	7516359
	CAPT3743*4A*+EEP		28,800	21,400	14.5	11.5	1,000	7516326
	CAPT3743*4A*+MBVC1200**-.1A*		28,800	21,400	14.5	12.0	980	7516327
	CAPT3743*4A*+MBVC1600**-.1A*		28,800	21,400	14.5	12.0	1,000	7516328
	CHPF3636B6C*+TXV	A*VC960403BNA*	28,800	21,400	14.5	11.5	1,000	7516360
	CHPF3636B6C*+TXV	A*VC960603BNA*	28,800	21,400	14.5	11.5	1,040	7516361
	CHPF3636B6C*+TXV	A*VC960803BNA*	28,600	21,200	14.5	11.5	975	7516362
	CHPF3636B6C*+TXV	A*VM970603BNA*	28,600	21,200	14.5	11.5	1,040	7516363
	CHPF3636B6C*+TXV	G*VC960403BNA*	28,800	21,400	14.5	11.5	1,000	7516364
	CHPF3636B6C*+TXV	G*VC960603BNA*	28,800	21,400	14.5	11.5	1,040	7516365
	CHPF3636B6C*+TXV	G*VC960803BNA*	28,600	21,200	14.5	11.5	975	7516366
	CHPF3636B6C*+TXV	G*VM970603BNA*	28,600	21,200	14.5	11.5	1,040	7516367
	CHPF3642C6C*	A*VC960804CNA*	28,800	21,400	14.5	11.5	1,000	7516396
	CHPF3642C6C*	A*VM970804CNA*	28,600	21,200	14.5	11.5	1,000	7516397
	CHPF3642C6C*	G*VC960804CNA*	28,800	21,400	14.5	11.5	1,000	7516398
	CHPF3642C6C*	G*VM970804CNA*	28,600	21,200	14.5	11.5	1,000	7516399
	CHPF3642C6C*+EEP		28,800	21,400	14.0	11.5	1,000	7516368
	CHPF3642C6C*+EEP+TXV		28,800	21,400	14.0	11.5	1,000	7516369
	CHPF3642C6C*+MBVC1200**-.1A*		28,800	21,400	14.5	12.0	1,000	7519536
	CHPF3642C6C*+MBVC1200**-.1A*+TXV		28,800	21,400	14.5	12.0	1,000	7516370
	CHPF3642C6C*+MBVC1600**-.1A*		28,800	21,400	14.5	12.0	1,000	7516371
	CHPF3642C6C*+MBVC1600**-.1A*+TXV		28,800	21,400	14.5	12.0	1,000	7516372
	CHPF3642C6C*+TXV	A*EC960302BNA*	28,400	21,000	14.5	11.5	940	7516373
	CHPF3642C6C*+TXV	A*EC960402BNA*	28,400	21,000	14.5	11.5	925	7516374
	CHPF3642C6C*+TXV	A*EC960603BNA*	28,400	21,000	14.5	11.5	965	7516375
	CHPF3642C6C*+TXV	A*EC960803BNA*	28,400	21,000	14.5	11.5	950	7516376
	CHPF3642C6C*+TXV	A*EC961004CNA*	28,800	21,400	14.5	11.5	1,025	7516377
	CHPF3642C6C*+TXV	A*VC80604B*B*	28,600	21,200	14.5	11.5	1,000	7516378
	CHPF3642C6C*+TXV	A*VC80805C*B*	28,600	21,200	14.5	11.5	990	7516379
	CHPF3642C6C*+TXV	A*VC81005C*B*	28,600	21,200	14.5	11.5	1,000	7516380
CHPF3642C6C*+TXV	A*VC960804CNA*	28,800	21,400	14.5	11.5	1,000	7516381	
CHPF3642C6C*+TXV	A*VM970804CNA*	28,600	21,200	14.5	11.5	1,000	7516382	
CHPF3642C6C*+TXV	G*E80603B*B*	28,800	21,400	14.5	11.5	1,050	7516383	
CHPF3642C6C*+TXV	G*E80805C*B*	28,800	21,400	14.5	11.5	1,000	7516384	
CHPF3642C6C*+TXV	G*E81005C*B*	28,800	21,400	14.5	11.5	1,080	7516385	
CHPF3642C6C*+TXV	G*EC960302BNA*	28,400	21,000	14.5	11.5	940	7516386	
CHPF3642C6C*+TXV	G*EC960402BNA*	28,400	21,000	14.5	11.5	925	7516387	
CHPF3642C6C*+TXV	G*EC960603BNA*	28,400	21,000	14.5	11.5	965	7516388	

See Notes on Page 47.

OUTDOOR UNIT	INDOOR UNITS		COOLING RATINGS				CFM	AHRI #
	COILS/AIR HANDLERS	FURNACES	TOTAL ¹	SENS. ¹	SEER ²	EER ³		
GSX14 0301K* (cont.)	CHPF3642C6C*+TXV	G*EC960803BNA*	28,400	21,000	14.5	11.5	950	7516389
	CHPF3642C6C*+TXV	G*EC961004CNA*	28,800	21,400	14.5	11.5	1,025	7516390
	CHPF3642C6C*+TXV	G*VC80604B*B*	28,600	21,200	14.5	11.5	1,000	7516391
	CHPF3642C6C*+TXV	G*VC80805C*B*	28,600	21,200	14.5	11.5	990	7516392
	CHPF3642C6C*+TXV	G*VC81005C*B*	28,600	21,200	14.5	11.5	1,000	7516393
	CHPF3642C6C*+TXV	G*VC960804CNA*	28,800	21,400	14.5	11.5	1,000	7516394
	CHPF3642C6C*+TXV	G*VM970804CNA*	28,600	21,200	14.5	11.5	1,000	7516395
	CHPF3743C6B*+EEP		28,800	21,400	14.0	11.5	1,000	7516400
	CHPF3743C6B*+EEP+TXV		28,800	21,400	14.0	11.5	1,000	7516401
	CHPF3743D6B*+EEP		28,800	21,400	14.0	11.5	1,000	7516402
	CHPF3743D6B*+EEP+TXV		28,800	21,400	14.0	11.5	1,000	7516403
	CSCF3642N6D*	A*VC960804CNA*	28,800	21,400	14.5	11.5	1,000	7516436
	CSCF3642N6D*	A*VM970804CNA*	28,600	21,200	14.5	11.5	1,000	7516437
	CSCF3642N6D*	G*VC960804CNA*	28,800	21,400	14.5	11.5	1,000	7516438
	CSCF3642N6D*	G*VM970804CNA*	28,600	21,200	14.5	11.5	1,000	7516439
	CSCF3642N6D*+EEP		28,600	21,200	14.0	11.5	1,000	7516404
	CSCF3642N6D*+EEP+TXV		28,600	21,200	14.0	11.5	1,000	7516405
	CSCF3642N6D*+TXV	A*EC960302BNA*	28,200	21,000	14.5	11.5	940	7516406
	CSCF3642N6D*+TXV	A*EC960402BNA*	28,200	21,000	14.5	11.5	925	7516407
	CSCF3642N6D*+TXV	A*EC960603BNA*	28,200	21,000	14.5	11.5	965	7516408
	CSCF3642N6D*+TXV	A*EC960803BNA*	28,400	21,000	14.5	11.5	950	7516409
	CSCF3642N6D*+TXV	A*EC961004CNA*	28,400	21,000	14.5	11.5	1,025	7516410
	CSCF3642N6D*+TXV	A*VC80604B*B*	28,600	21,200	14.5	11.5	1,000	7516411
	CSCF3642N6D*+TXV	A*VC80805C*B*	28,600	21,200	14.5	11.5	990	7516412
	CSCF3642N6D*+TXV	A*VC81005C*B*	28,600	21,200	14.5	11.5	1,000	7516413
	CSCF3642N6D*+TXV	A*VC960403BNA*	28,800	21,400	14.5	11.5	1,000	7516414
	CSCF3642N6D*+TXV	A*VC960603BNA*	28,800	21,400	14.5	11.5	1,040	7516415
	CSCF3642N6D*+TXV	A*VC960803BNA*	28,600	21,200	14.5	11.5	975	7516416
	CSCF3642N6D*+TXV	A*VC960804CNA*	28,800	21,400	14.5	11.5	1,000	7516417
	CSCF3642N6D*+TXV	A*VM970603BNA*	28,600	21,200	14.5	11.5	1,040	7516418
	CSCF3642N6D*+TXV	A*VM970804CNA*	28,600	21,200	14.5	11.5	1,000	7516419
	CSCF3642N6D*+TXV	G*E80603B*B*	28,800	21,400	14.5	11.5	1,050	7516420
	CSCF3642N6D*+TXV	G*E80805C*B*	28,800	21,400	14.5	11.5	1,060	7516421
	CSCF3642N6D*+TXV	G*EC960302BNA*	28,200	21,000	14.5	11.5	940	7516422
	CSCF3642N6D*+TXV	G*EC960402BNA*	28,200	21,000	14.5	11.5	925	7516423
	CSCF3642N6D*+TXV	G*EC960603BNA*	28,200	21,000	14.5	11.5	965	7516424
	CSCF3642N6D*+TXV	G*EC960803BNA*	28,400	21,000	14.5	11.5	950	7516425
	CSCF3642N6D*+TXV	G*EC961004CNA*	28,400	21,000	14.5	11.5	1,025	7516426
	CSCF3642N6D*+TXV	G*VC80604B*B*	28,600	21,200	14.5	11.5	1,000	7516427
	CSCF3642N6D*+TXV	G*VC80805C*B*	28,600	21,200	14.5	11.5	990	7516428
	CSCF3642N6D*+TXV	G*VC81005C*B*	28,600	21,200	14.5	11.5	1,000	7516429
	CSCF3642N6D*+TXV	G*VC960403BNA*	28,800	21,400	14.5	11.5	1,000	7516430
	CSCF3642N6D*+TXV	G*VC960603BNA*	28,800	21,400	14.5	11.5	1,040	7516431
CSCF3642N6D*+TXV	G*VC960803BNA*	28,600	21,200	14.5	11.5	975	7516432	
CSCF3642N6D*+TXV	G*VC960804CNA*	28,800	21,400	14.5	11.5	1,000	7516433	
CSCF3642N6D*+TXV	G*VM970603BNA*	28,600	21,200	14.5	11.5	1,040	7516434	
CSCF3642N6D*+TXV	G*VM970804CNA*	28,600	21,200	14.5	11.5	1,000	7516435	
CSCF3642N6D*+TXV	G*E81005C*B*	28,600	21,200	14.5	11.5	1,070	7520286	

¹ BTU/h

² Seasonal Energy Efficiency Ratio; Certified per AHRI 210/240 @ 80°F/ 67°F/ 95°F

³ Energy Efficiency Ratio @ 80°F/ 67°F/ 95°F

NOTES

- Always check the S&R plate for electrical data on the unit being installed.
- When matching the outdoor unit to the indoor unit, use the piston supplied with the outdoor unit or that specified on the piston kit chart supplied with the indoor unit.
- EEP - Order from Service Dept. Part No. B13707-38 or new Solid State Board B13707-35S. Part No. B13707-38 is not interchangeable with B13707-35S. The Amana® Distinctions® brand gas furnace contains the EEP cooling time delay.
- HSK - Hard Start Kit: This is an additional capacitor to assist with compressor start-up, used with the standard "run" capacitor that is supplied in the unit. Order from a Goodman brand distributor or service department.

AHRI RATINGS (CONT.)

OUTDOOR UNIT	INDOOR UNITS		COOLING RATINGS				CFM	AHRI #
	COILS/AIR HANDLERS	FURNACES	TOTAL ¹	SENS. ¹	SEER ²	EER ³		
GSX14 0311K*	ARUF31B14A*		28,200	22,200	14.0	12.2	870	7984194
	ARUF37C14A*		28,400	22,400	14.0	12.2	1,050	7984195
	ASPT36C14A*		28,000	22,000	15.0	12.5	1,010	7516440
	ASPT37B14A*		29,000	22,800	14.5	12.2	945	8242060
	ASPT37C14A*		29,000	22,800	15.0	12.5	1,045	8242061
	AVPTC36C14A*		28,000	22,000	15.0	12.5	1,000	7516441
	AWUF31XX16A*		28,000	22,000	14.0	12.2	1,000	7516442
	AWUF31XX16A*+TXV		28,000	22,000	14.5	12.2	1,000	7516443
	AWUF32XX16A*		28,000	22,000	14.0	12.2	950	7516444
	AWUF32XX16A*+TXV		28,000	22,000	14.5	12.2	950	7516445
	AWUF37XX16B*		28,000	22,000	14.0	12.2	950	7516446
	AWUF37XX16B*+TXV		28,000	22,000	14.5	12.2	950	7516447
	CA*F3137*6A*	A*EC960302BNA*	28,200	22,200	15.0	12.5	940	7520287
	CA*F3137*6A*	A*EC960402BNA*	28,200	22,200	15.0	12.5	925	7520288
	CA*F3137*6A*	A*EC960603BNA*	28,200	22,200	15.0	12.5	965	7520289
	CA*F3137*6A*	A*EC960803BNA*	28,200	22,200	15.0	12.5	950	7520290
	CA*F3137*6A*	A*VC80604B*B*	28,400	22,400	15.0	12.5	1,000	7520292
	CA*F3137*6A*	A*VC960403BNA*	28,600	22,600	15.0	12.5	1,000	7520295
	CA*F3137*6A*	A*VC960603BNA*	28,600	22,600	15.0	12.5	1,040	7520296
	CA*F3137*6A*	A*VC960803BNA*	28,400	22,400	15.0	12.5	975	7520297
	CA*F3137*6A*	A*VM970603BNA*	28,400	22,400	15.0	12.5	1,040	7520298
	CA*F3137*6A*	G*E80603B*B*	28,400	22,400	14.5	12.2	1,050	7520299
	CA*F3137*6A*	G*EC960302BNA*	28,200	22,200	15.0	12.5	940	7520302
	CA*F3137*6A*	G*EC960402BNA*	28,200	22,200	15.0	12.5	925	7520303
	CA*F3137*6A*	G*EC960603BNA*	28,200	22,200	15.0	12.5	965	7520304
	CA*F3137*6A*	G*EC960803BNA*	28,200	22,200	15.0	12.5	950	7520305
	CA*F3137*6A*	G*VC80604B*B*	28,400	22,400	15.0	12.5	1,000	7520307
	CA*F3137*6A*	G*VC960403BNA*	28,600	22,600	15.0	12.5	1,000	7520310
	CA*F3137*6A*	G*VC960603BNA*	28,600	22,600	15.0	12.5	1,040	7520311
	CA*F3137*6A*	G*VC960803BNA*	28,400	22,400	15.0	12.5	975	7520312
	CA*F3137*6A*	G*VM970603BNA*	28,400	22,400	15.0	12.5	1,040	7520313
	CA*F3137*6A*+EEP		28,600	22,600	14.0	12.2	1,000	7516452
	CA*F3137*6A*+EEP+TXV		28,600	22,600	14.0	12.2	1,000	7516453
	CA*F3743*6D*	A*VC960804CNA*	28,800	22,600	15.0	12.5	1,000	7516491
	CA*F3743*6D*	A*VM970804CNA*	28,600	22,600	15.0	12.5	1,000	7516492
	CA*F3743*6D*	G*VC960804CNA*	28,800	22,600	15.0	12.5	1,000	7516493
	CA*F3743*6D*	G*VM970804CNA*	28,600	22,600	15.0	12.5	1,000	7516494
	CA*F3743*6D*+TXV	A*EC960302BNA*	28,400	22,400	15.0	12.5	940	7516460
	CA*F3743*6D*+TXV	A*EC960402BNA*	28,400	22,400	15.0	12.5	925	7516461
	CA*F3743*6D*+TXV	A*EC960603BNA*	28,400	22,400	15.0	12.5	965	7516462
	CA*F3743*6D*+TXV	A*EC960803BNA*	28,400	22,400	15.0	12.5	950	7516463
	CA*F3743*6D*+TXV	A*EC961004CNA*	28,800	22,600	15.0	12.5	1,025	7516464
	CA*F3743*6D*+TXV	A*VC80604B*B*	28,600	22,600	15.0	12.5	1,000	7516465
	CA*F3743*6D*+TXV	A*VC80805C*B*	28,600	22,600	15.0	12.5	990	7516466
	CA*F3743*6D*+TXV	A*VC81005C*B*	28,600	22,600	15.0	12.5	1,000	7516467
	CA*F3743*6D*+TXV	A*VC960403BNA*	28,800	22,600	15.0	12.5	1,000	7516468
	CA*F3743*6D*+TXV	A*VC960603BNA*	28,600	22,600	15.0	12.5	1,040	7516469
	CA*F3743*6D*+TXV	A*VC960803BNA*	28,400	22,400	15.0	12.5	975	7516470
	CA*F3743*6D*+TXV	A*VC960804CNA*	28,800	22,600	15.0	12.5	1,000	7516471
	CA*F3743*6D*+TXV	A*VM970603BNA*	28,400	22,400	15.0	12.5	1,040	7516472
CA*F3743*6D*+TXV	A*VM970804CNA*	28,600	22,600	15.0	12.5	1,000	7516473	
CA*F3743*6D*+TXV	G*E80603B*B*	28,400	22,400	15.0	12.5	1,050	7516474	
CA*F3743*6D*+TXV	G*E80805C*B*	28,600	22,600	15.0	12.5	1,000	7516475	

See Notes on Page 71.

OUTDOOR UNIT	INDOOR UNITS		COOLING RATINGS				CFM	AHRI #
	COILS/AIR HANDLERS	FURNACES	TOTAL ¹	SENS. ¹	SEER ²	EER ³		
GSX14 0311K* (cont.)	CA*F3743*6D*+TXV	G*E81005C*B*	28,400	22,400	15.0	12.5	1,000	7516476
	CA*F3743*6D*+TXV	G*EC960302BNA*	28,400	22,400	15.0	12.5	940	7516477
	CA*F3743*6D*+TXV	G*EC960402BNA*	28,400	22,400	15.0	12.5	925	7516478
	CA*F3743*6D*+TXV	G*EC960603BNA*	28,400	22,400	15.0	12.5	965	7516479
	CA*F3743*6D*+TXV	G*EC960803BNA*	28,400	22,400	15.0	12.5	950	7516480
	CA*F3743*6D*+TXV	G*EC961004CNA*	28,800	22,600	15.0	12.5	1,025	7516481
	CA*F3743*6D*+TXV	G*VC80604B*B*	28,600	22,600	15.0	12.5	1,000	7516482
	CA*F3743*6D*+TXV	G*VC80805C*B*	28,600	22,600	15.0	12.5	990	7516483
	CA*F3743*6D*+TXV	G*VC81005C*B*	28,600	22,600	15.0	12.5	1,000	7516484
	CA*F3743*6D*+TXV	G*VC960403BNA*	28,800	22,600	15.0	12.5	1,000	7516485
	CA*F3743*6D*+TXV	G*VC960603BNA*	28,600	22,600	15.0	12.5	1,040	7516486
	CA*F3743*6D*+TXV	G*VC960803BNA*	28,400	22,400	15.0	12.5	975	7516487
	CA*F3743*6D*+TXV	G*VC960804CNA*	28,800	22,600	15.0	12.5	1,000	7516488
	CA*F3743*6D*+TXV	G*VM970603BNA*	28,400	22,400	15.0	12.5	1,040	7516489
	CA*F3743*6D*+TXV	G*VM970804CNA*	28,600	22,600	15.0	12.5	1,000	7516490
	CAPT3743*4A*	A*EC960302BNA*	28,200	22,200	14.5	12.2	940	7516498
	CAPT3743*4A*	A*EC960402BNA*	28,200	22,200	14.5	12.2	925	7516499
	CAPT3743*4A*	A*EC960803BNA*	28,200	22,200	14.5	12.2	950	7516501
	CAPT3743*4A*	A*EC961004CNA*	28,600	22,600	14.5	12.2	1,025	7516502
	CAPT3743*4A*	A*VC80604B*B*	28,400	22,400	14.5	12.2	1,000	7516503
	CAPT3743*4A*	A*VC81005C*B*	28,400	22,400	14.5	12.2	1,000	7516505
	CAPT3743*4A*	A*VC960403BNA*	28,400	22,400	14.5	12.2	1,000	7516506
	CAPT3743*4A*	A*VC960603BNA*	28,400	22,400	14.5	12.2	1,040	7516507
	CAPT3743*4A*	A*VC960803BNA*	27,800	21,800	15.0	12.5	975	7516508
	CAPT3743*4A*	A*VC960804CNA*	28,400	22,400	14.5	12.2	1,000	7516509
	CAPT3743*4A*	A*VM970603BNA*	28,400	22,400	15.0	12.5	1,040	7516510
	CAPT3743*4A*	A*VM970804CNA*	28,400	22,400	14.5	12.2	1,000	7516511
	CAPT3743*4A*	G*E80603B*B*	28,400	22,400	14.5	12.2	1,050	7516512
	CAPT3743*4A*	G*E80805C*B*	28,400	22,400	14.5	12.2	1,000	7516513
	CAPT3743*4A*	G*EC960302BNA*	28,200	22,200	14.5	12.2	940	7516515
	CAPT3743*4A*	G*EC960402BNA*	28,200	22,200	14.5	12.2	925	7516516
	CAPT3743*4A*	G*EC960803BNA*	28,200	22,200	14.5	12.2	950	7516518
	CAPT3743*4A*	G*EC961004CNA*	28,600	22,600	14.5	12.2	1,025	7516519
	CAPT3743*4A*	G*VC80604B*B*	28,400	22,400	14.5	12.2	1,000	7516520
	CAPT3743*4A*	G*VC81005C*B*	28,400	22,400	14.5	12.2	1,000	7516522
	CAPT3743*4A*	G*VC960403BNA*	28,400	22,400	14.5	12.2	1,000	7516523
	CAPT3743*4A*	G*VC960603BNA*	28,400	22,400	14.5	12.2	1,040	7516524
	CAPT3743*4A*	G*VC960803BNA*	27,800	21,800	15.0	12.5	975	7516525
	CAPT3743*4A*	G*VC960804CNA*	28,400	22,400	14.5	12.2	1,000	7516526
	CAPT3743*4A*	G*VM970603BNA*	28,400	22,400	15.0	12.5	1,040	7516527
	CAPT3743*4A*	G*VM970804CNA*	28,400	22,400	14.5	12.2	1,000	7516528
	CAPT3743*4A*+EEP		28,000	22,000	14.5	12.2	1,000	7516495
	CAPT3743*4A*+MBVC1200**-1A*		28,600	22,600	15.0	12.5	1,000	7516496
	CAPT3743*4A*+MBVC1600**-1A*		28,600	22,600	15.0	12.5	1,000	7516497
	CHPF3636B6C*+TXV	A*VC960403BNA*	28,000	22,000	14.5	12.5	1,000	7516529
	CHPF3636B6C*+TXV	A*VC960603BNA*	28,000	22,000	14.5	12.2	1,040	7516530
	CHPF3636B6C*+TXV	A*VC960803BNA*	28,000	22,000	14.5	12.2	975	7516531
	CHPF3636B6C*+TXV	A*VM970603BNA*	28,000	22,000	14.5	12.2	1,040	7516532
	CHPF3636B6C*+TXV	G*VC960403BNA*	28,000	22,000	14.5	12.5	1,000	7516533
	CHPF3636B6C*+TXV	G*VC960603BNA*	28,000	22,000	14.5	12.2	1,040	7516534
CHPF3636B6C*+TXV	G*VC960803BNA*	28,000	22,000	14.5	12.2	975	7516535	
CHPF3636B6C*+TXV	G*VM970603BNA*	28,000	22,000	14.5	12.2	1,040	7516536	
CHPF3642C6C*+EEP		28,600	22,600	14.0	12.2	1,000	7516537	

See Notes on Page 71.

AHRI RATINGS (CONT.)

OUTDOOR UNIT	INDOOR UNITS		COOLING RATINGS				CFM	AHRI #
	COILS/AIR HANDLERS	FURNACES	TOTAL ¹	SENS. ¹	SEER ²	EER ³		
GSX14 0311K* (cont.)	CHPF3642C6C*+EEP+TXV		28,000	22,000	14.5	12.2	1,000	7516538
	CHPF3642C6C*+MBVC1200**_1A*		28,000	22,000	14.5	12.2	1,000	7519537
	CHPF3642C6C*+MBVC1200**_1A*+TXV		28,000	22,000	14.5	12.2	1,000	7516539
	CHPF3642C6C*+MBVC1600**_1A*		28,000	22,000	14.5	12.2	1,000	7516540
	CHPF3642C6C*+MBVC1600**_1A*+TXV		28,400	22,400	15.0	12.5	1,000	7516541
	CHPF3642C6C*+TXV	A*EC960302BNA*	28,400	22,400	14.5	12.2	940	7516542
	CHPF3642C6C*+TXV	A*EC960402BNA*	28,400	22,400	15.0	12.5	925	7516543
	CHPF3642C6C*+TXV	A*EC960603BNA*	28,400	22,400	14.5	12.2	965	7516544
	CHPF3642C6C*+TXV	A*EC960803BNA*	28,400	22,400	14.5	12.2	950	7516545
	CHPF3642C6C*+TXV	A*VC80604B*B*	28,000	22,000	14.5	12.2	1,000	7516546
	CHPF3642C6C*+TXV	G*E80603B*B*	28,000	22,000	14.5	12.2	1,050	7516547
	CHPF3642C6C*+TXV	G*EC960302BNA*	28,400	22,400	14.5	12.2	940	7516548
	CHPF3642C6C*+TXV	G*EC960402BNA*	28,400	22,400	15.0	12.5	925	7516549
	CHPF3642C6C*+TXV	G*EC960603BNA*	28,400	22,400	14.5	12.2	965	7516550
	CHPF3642C6C*+TXV	G*EC960803BNA*	28,400	22,400	14.5	12.2	950	7516551
	CHPF3642C6C*+TXV	G*VC80604B*B*	28,000	22,000	14.5	12.2	1,000	7516552
	CHPF3642D6C*	A*VC960804CNA*	28,600	22,600	14.5	12.2	1,000	7516565
	CHPF3642D6C*	A*VM970804CNA*	28,600	22,600	14.5	12.2	1,000	7516566
	CHPF3642D6C*	G*VC960804CNA*	28,600	22,600	14.5	12.2	1,000	7516567
	CHPF3642D6C*	G*VM970804CNA*	28,600	22,600	14.5	12.2	1,000	7516568
	CHPF3642D6C*+TXV	A*EC961004CNA*	28,800	22,600	15.0	12.5	1,025	7516553
	CHPF3642D6C*+TXV	A*VC80805C*B*	28,600	22,600	15.0	12.5	990	7516554
	CHPF3642D6C*+TXV	A*VC81005C*B*	28,600	22,600	14.5	12.2	1,000	7516555
	CHPF3642D6C*+TXV	A*VC960804CNA*	28,600	22,600	14.5	12.2	1,000	7516556
	CHPF3642D6C*+TXV	A*VM970804CNA*	28,600	22,600	14.5	12.2	1,000	7516557
	CHPF3642D6C*+TXV	G*E80805C*B*	28,000	22,000	15.0	12.5	1,000	7516558
	CHPF3642D6C*+TXV	G*E81005C*B*	28,600	22,600	15.0	12.5	1,000	7516559
	CHPF3642D6C*+TXV	G*EC961004CNA*	28,800	22,600	15.0	12.5	1,025	7516560
	CHPF3642D6C*+TXV	G*VC80805C*B*	28,600	22,600	15.0	12.5	990	7516561
	CHPF3642D6C*+TXV	G*VC81005C*B*	28,600	22,600	14.5	12.2	1,000	7516562
	CHPF3642D6C*+TXV	G*VC960804CNA*	28,600	22,600	14.5	12.2	1,000	7516563
	CHPF3642D6C*+TXV	G*VM970804CNA*	28,600	22,600	14.5	12.2	1,000	7516564
	CSCF3642N6D*	A*VC960804CNA*	28,800	22,600	15.0	12.5	1,000	7516602
	CSCF3642N6D*	A*VM970804CNA*	28,600	22,600	15.0	12.5	1,000	7516603
	CSCF3642N6D*	G*VC960804CNA*	28,800	22,600	15.0	12.5	1,000	7516604
	CSCF3642N6D*	G*VM970804CNA*	28,600	22,600	15.0	12.5	1,000	7516605
	CSCF3642N6D*+EEP		28,400	22,400	14.0	12.2	1,000	7516569
	CSCF3642N6D*+EEP+TXV		28,400	22,400	14.5	12.2	1,000	7516570
	CSCF3642N6D*+TXV	A*EC960302BNA*	28,400	22,400	14.5	12.2	940	7516571
	CSCF3642N6D*+TXV	A*EC960402BNA*	28,400	22,400	14.5	12.2	925	7516572
	CSCF3642N6D*+TXV	A*EC960603BNA*	28,400	22,400	14.5	12.2	965	7516573
	CSCF3642N6D*+TXV	A*EC960803BNA*	28,400	22,400	14.5	12.2	950	7516574
	CSCF3642N6D*+TXV	A*EC961004CNA*	28,400	22,400	14.5	12.2	1,025	7516575
	CSCF3642N6D*+TXV	A*VC80604B*B*	28,600	22,600	15.0	12.5	1,000	7516576
	CSCF3642N6D*+TXV	A*VC80805C*B*	28,400	22,400	15.0	12.5	990	7516577
	CSCF3642N6D*+TXV	A*VC81005C*B*	28,600	22,600	15.0	12.5	1,000	7516578
	CSCF3642N6D*+TXV	A*VC960403BNA*	28,600	22,600	15.0	12.5	1,000	7516579
CSCF3642N6D*+TXV	A*VC960603BNA*	28,400	22,400	15.0	12.5	1,040	7516580	
CSCF3642N6D*+TXV	A*VC960803BNA*	28,400	22,400	15.0	12.5	975	7516581	
CSCF3642N6D*+TXV	A*VC960804CNA*	28,800	22,600	15.0	12.5	1,000	7516582	
CSCF3642N6D*+TXV	A*VM970603BNA*	28,400	22,400	15.0	12.5	1,040	7516583	
CSCF3642N6D*+TXV	A*VM970804CNA*	28,600	22,600	15.0	12.5	1,000	7516584	
CSCF3642N6D*+TXV	G*E80603B*B*	28,600	22,600	15.0	12.5	1,050	7516585	

See Notes on Page 71.

OUTDOOR UNIT	INDOOR UNITS		COOLING RATINGS				CFM	AHRI #
	COILS/AIR HANDLERS	FURNACES	TOTAL ¹	SENS. ¹	SEER ²	EER ³		
GSX14 0311K* (cont.)	CSCF3642N6D*+TXV	G*E80805C*B*	28,400	22,400	15.0	12.5	1,000	7516586
	CSCF3642N6D*+TXV	G*E81005C*B*	28,400	22,400	15.0	12.5	1,000	7516587
	CSCF3642N6D*+TXV	G*EC960302BNA*	28,400	22,400	14.5	12.2	940	7516588
	CSCF3642N6D*+TXV	G*EC960402BNA*	28,400	22,400	14.5	12.2	925	7516589
	CSCF3642N6D*+TXV	G*EC960603BNA*	28,400	22,400	14.5	12.2	965	7516590
	CSCF3642N6D*+TXV	G*EC960803BNA*	28,400	22,400	14.5	12.2	950	7516591
	CSCF3642N6D*+TXV	G*EC961004CNA*	28,400	22,400	14.5	12.2	1,025	7516592
	CSCF3642N6D*+TXV	G*VC80604B*B*	28,600	22,600	15.0	12.5	1,000	7516593
	CSCF3642N6D*+TXV	G*VC80805C*B*	28,400	22,400	15.0	12.5	990	7516594
	CSCF3642N6D*+TXV	G*VC81005C*B*	28,600	22,600	15.0	12.5	1,000	7516595
	CSCF3642N6D*+TXV	G*VC960403BNA*	28,600	22,600	15.0	12.5	1,000	7516596
	CSCF3642N6D*+TXV	G*VC960603BNA*	28,400	22,400	15.0	12.5	1,040	7516597
	CSCF3642N6D*+TXV	G*VC960803BNA*	28,400	22,400	15.0	12.5	975	7516598
	CSCF3642N6D*+TXV	G*VC960804CNA*	28,800	22,600	15.0	12.5	1,000	7516599
	CSCF3642N6D*+TXV	G*VM970603BNA*	28,400	22,400	15.0	12.5	1,040	7516600
CSCF3642N6D*+TXV	G*VM970804CNA*	28,600	22,600	15.0	12.5	1,000	7516601	
GSX14 0361K*	ARUF37C14A*		33,600	25,000	14.0	11.5	1,050	7984196
	ARUF37D14A*		33,600	25,000	14.0	11.5	1,240	8171723
	ASPT36C14A*		34,200	25,400	14.5	11.5	1,210	7516606
	ASPT37C14A*		34,200	25,400	14.5	12.0	1,120	8242062
	ASPT42D14A*		34,800	25,800	14.5	12.0	1,280	7516607
	ASPT47C14A*		34,200	25,400	14.5	12.0	1,120	8242063
	ASPT47D14A*		34,600	25,600	15.0	12.5	1,205	8242064
	AVPTC36C14A*		34,200	25,400	14.5	11.5	1,100	7516608
	AVPTC42D14A*		34,800	25,800	14.5	12.0	1,120	7516609
	AWUF37XX16B*+TXV		33,000	24,400	14.5	11.5	1,050	7516610
	CA*F3137*6A*+EEP		34,000	25,200	14.0	11.5	1,200	8187479
	CA*F3137*6A*+EEP+TXV		34,000	25,200	14.0	11.5	1,200	8187480
	CA*F3137*6A*+TXV	G*E80603B*B*	33,400	24,800	14.0	11.5	1,100	8187481
	CA*F3137*6A*+TXV	G*VC80604B*B*	33,600	25,000	14.0	11.5	1,240	8187482
	CA*F3137*6A*+TXV	G*VC960403BNA*	34,200	25,400	14.0	11.5	1,200	8187483
	CA*F3137*6A*+TXV	G*VC960603BNA*	34,400	25,400	14.0	11.5	1,200	8187484
	CA*F3137*6A*+TXV	G*VC960803BNA*	34,400	25,400	14.0	11.5	1,150	8187485
	CA*F3137*6A*+TXV	G*VM970603BNA*	34,400	25,400	14.0	11.5	1,200	8187486
	CA*F3137*6A*+TXV	G*VM970803BNA*	34,400	25,400	14.0	11.5	1,150	8187487
	CA*F3137*6A*+TXV	G*EC960603BNA*	34,200	25,400	14.0	11.5	1,100	8187488
	CA*F3137*6A*+TXV	G*EC960803BNA*	34,200	25,400	14.0	11.5	1,100	8187489
	CA*F3137*6A*+TXV	A*EH800603B*A*	33,400	24,800	14.0	11.5	1,100	8187500
	CA*F3137*6A*+TXV	A*VC80604B*B*	33,600	25,000	14.0	11.5	1,240	8187501
	CA*F3137*6A*+TXV	A*VC960403BNA*	34,200	25,400	14.0	11.5	1,200	8187502
	CA*F3137*6A*+TXV	A*VC960603BNA*	34,400	25,400	14.0	11.5	1,200	8187503
	CA*F3137*6A*+TXV	A*VC960803BNA*	34,400	25,400	14.0	11.5	1,150	8187504
	CA*F3137*6A*+TXV	A*VM970603BNA*	34,400	25,400	14.0	11.5	1,200	8187505
	CA*F3137*6A*+TXV	A*VM970803BNA*	34,400	25,400	14.0	11.5	1,150	8187506
	CA*F3137*6A*+TXV	A*EC960603BNA*	34,200	25,400	14.0	11.5	1,100	8187507
	CA*F3137*6A*+TXV	A*EC960803BNA*	34,200	25,400	14.0	11.5	1,100	8187508
	CA*F3642*6D*+EEP		34,000	25,200	14.0	11.5	1,200	7516611
	CA*F3642*6D*+EEP+TXV		34,000	25,200	14.0	11.5	1,200	7516612
CA*F3642*6D*+MBVC1600*-1A*		34,000	25,200	14.5	11.5	1,200	7516613	
CA*F3642*6D*+MBVC2000*-1A*		34,000	25,200	14.5	12.0	1,200	7516614	
CA*F3743*6D*	A*EC961004CNA*	34,600	25,600	14.5	11.5	1,250	7516658	
CA*F3743*6D*	A*EC961205DNA*	34,000	25,200	14.5	11.5	1,075	7516659	
CA*F3743*6D*	A*VC80805C*B*	33,600	25,000	14.5	11.5	1,200	7516660	

See Notes on Page 71.

AHRI RATINGS (CONT.)

OUTDOOR UNIT	INDOOR UNITS		COOLING RATINGS				CFM	AHRI #
	COILS/AIR HANDLERS	FURNACES	TOTAL ¹	SENS. ¹	SEER ²	EER ³		
GSX14 0361K* (cont.)	CA*F3743*6D*	A*VC81005C*B*	33,400	24,800	14.5	11.5	1,200	7516661
	CA*F3743*6D*	A*VC960804CNA*	34,600	25,600	14.5	11.5	1,190	7516662
	CA*F3743*6D*	A*VC961005CNA*	34,600	25,600	14.5	11.5	1,175	7516663
	CA*F3743*6D*	A*VC961205DNA*	34,600	25,600	14.5	11.5	1,200	7516664
	CA*F3743*6D*	A*VM970804CNA*	34,600	25,600	14.5	11.5	1,190	7516665
	CA*F3743*6D*	A*VM971005CNA*	34,600	25,600	14.5	11.5	1,175	7516666
	CA*F3743*6D*	A*VM971205DNA*	34,600	25,600	14.5	11.5	1,200	7516667
	CA*F3743*6D*	G*E80805C*B*	33,600	25,000	14.5	11.5	1,210	7516668
	CA*F3743*6D*	G*E81005C*B*	34,000	25,200	14.5	11.5	1,230	7516669
	CA*F3743*6D*	G*EC961004CNA*	34,600	25,600	14.5	11.5	1,250	7516670
	CA*F3743*6D*	G*EC961205DNA*	34,000	25,200	14.5	11.5	1,075	7516671
	CA*F3743*6D*	G*VC80805C*B*	33,600	25,000	14.5	11.5	1,200	7516672
	CA*F3743*6D*	G*VC81005C*B*	33,400	24,800	14.5	11.5	1,200	7516673
	CA*F3743*6D*	G*VC960804CNA*	34,600	25,600	14.5	11.5	1,190	7516674
	CA*F3743*6D*	G*VC961005CNA*	34,600	25,600	14.5	11.5	1,175	7516675
	CA*F3743*6D*	G*VC961205DNA*	34,600	25,600	14.5	11.5	1,200	7516676
	CA*F3743*6D*	G*VM970804CNA*	34,600	25,600	14.5	11.5	1,190	7516677
	CA*F3743*6D*	G*VM971005CNA*	34,600	25,600	14.5	11.5	1,175	7516678
	CA*F3743*6D*	G*VM971205DNA*	34,600	25,600	14.5	11.5	1,200	7516679
	CA*F3743*6D*+EEP		34,600	25,600	14.0	11.5	1,200	7516615
	CA*F3743*6D*+EEP+TXV		34,600	25,600	14.5	11.5	1,200	7516616
	CA*F3743*6D*+MBVC1600**-1A*		35,000	26,000	14.5	11.5	1,200	7516617
	CA*F3743*6D*+MBVC2000**-1A*		35,000	26,000	14.5	11.5	1,200	7516618
	CA*F3743*6D*+TXV	A*EC960603BNA*	34,200	25,400	14.5	11.5	1,150	7516619
	CA*F3743*6D*+TXV	A*EC960803BNA*	34,200	25,400	14.5	11.5	1,150	7516620
	CA*F3743*6D*+TXV	A*EC961004CNA*	34,600	25,600	14.5	11.5	1,250	7516621
	CA*F3743*6D*+TXV	A*EC961205DNA*	34,000	25,200	14.5	12.0	1,075	7516622
	CA*F3743*6D*+TXV	A*VC80604B*B*	33,600	25,000	14.5	11.5	1,220	7516623
	CA*F3743*6D*+TXV	A*VC80805C*B*	33,600	25,000	14.5	12.0	1,200	7516624
	CA*F3743*6D*+TXV	A*VC81005C*B*	33,400	24,800	14.5	12.0	1,200	7516625
	CA*F3743*6D*+TXV	A*VC960403BNA*	34,200	25,400	14.5	11.5	1,200	7516626
	CA*F3743*6D*+TXV	A*VC960603BNA*	34,400	25,400	14.5	11.5	1,250	7516627
	CA*F3743*6D*+TXV	A*VC960803BNA*	34,400	25,400	14.5	11.5	1,250	7516628
	CA*F3743*6D*+TXV	A*VC960804CNA*	34,600	25,600	14.5	12.0	1,190	7516629
	CA*F3743*6D*+TXV	A*VC961005CNA*	34,600	25,600	14.5	12.0	1,175	7516630
	CA*F3743*6D*+TXV	A*VC961205DNA*	34,600	25,600	14.5	12.0	1,200	7516631
	CA*F3743*6D*+TXV	A*VM970603BNA*	34,400	25,400	14.5	11.5	1,250	7516632
	CA*F3743*6D*+TXV	A*VM970803BNA*	34,400	25,400	14.5	11.5	1,250	7516633
	CA*F3743*6D*+TXV	A*VM970804CNA*	34,600	25,600	14.5	11.5	1,190	7516634
	CA*F3743*6D*+TXV	A*VM971005CNA*	34,600	25,600	14.5	11.5	1,175	7516635
	CA*F3743*6D*+TXV	A*VM971205DNA*	34,600	25,600	14.5	12.0	1,200	7516636
	CA*F3743*6D*+TXV	G*E80603B*B*	33,400	24,800	14.5	11.5	1,250	7516637
CA*F3743*6D*+TXV	G*E80805C*B*	33,600	25,000	14.5	11.5	1,210	7516638	
CA*F3743*6D*+TXV	G*E81005C*B*	34,000	25,200	14.5	11.5	1,230	7516639	
CA*F3743*6D*+TXV	G*EC960603BNA*	34,200	25,400	14.5	11.5	1,150	7516640	
CA*F3743*6D*+TXV	G*EC960803BNA*	34,200	25,400	14.5	11.5	1,150	7516641	
CA*F3743*6D*+TXV	G*EC961004CNA*	34,600	25,600	14.5	11.5	1,250	7516642	
CA*F3743*6D*+TXV	G*EC961205DNA*	34,000	25,200	14.5	12.0	1,075	7516643	
CA*F3743*6D*+TXV	G*VC80604B*B*	33,600	25,000	14.5	11.5	1,220	7516644	
CA*F3743*6D*+TXV	G*VC80805C*B*	33,600	25,000	14.5	12.0	1,200	7516645	
CA*F3743*6D*+TXV	G*VC81005C*B*	33,400	24,800	14.5	12.0	1,200	7516646	
CA*F3743*6D*+TXV	G*VC960403BNA*	34,200	25,400	14.5	11.5	1,200	7516647	
CA*F3743*6D*+TXV	G*VC960603BNA*	34,400	25,400	14.5	11.5	1,250	7516648	

See Notes on Page 71.

OUTDOOR UNIT	INDOOR UNITS		COOLING RATINGS				CFM	AHRI #
	COILS/AIR HANDLERS	FURNACES	TOTAL ¹	SENS. ¹	SEER ²	EER ³		
GSX14 0361K* (cont.)	CA*F3743*6D*+TXV	G*VC960803BNA*	34,400	25,400	14.5	11.5	1,250	7516649
	CA*F3743*6D*+TXV	G*VC960804CNA*	34,600	25,600	14.5	12.0	1,190	7516650
	CA*F3743*6D*+TXV	G*VC961005CNA*	34,600	25,600	14.5	12.0	1,175	7516651
	CA*F3743*6D*+TXV	G*VC961205DNA*	34,600	25,600	14.5	12.0	1,200	7516652
	CA*F3743*6D*+TXV	G*VM970603BNA*	34,400	25,400	14.5	11.5	1,250	7516653
	CA*F3743*6D*+TXV	G*VM970803BNA*	34,400	25,400	14.5	11.5	1,250	7516654
	CA*F3743*6D*+TXV	G*VM970804CNA*	34,600	25,600	14.5	11.5	1,190	7516655
	CA*F3743*6D*+TXV	G*VM971005CNA*	34,600	25,600	14.5	11.5	1,175	7516656
	CA*F3743*6D*+TXV	G*VM971205DNA*	34,600	25,600	14.5	12.0	1,200	7516657
	CA*F4860*6D*+EEP		34,800	25,800	14.0	11.5	1,200	7516680
	CA*F4860*6D*+EEP+TXV		34,800	25,800	14.0	11.5	1,200	7516681
	CAPT3743*4A*	A*EC960803BNA*	34,200	25,400	14.0	11.5	1,150	7516683
	CAPT3743*4A*	A*VC80604B*B*	33,600	25,000	14.5	11.5	1,220	7516684
	CAPT3743*4A*	A*VC80805C*B*	33,600	25,000	14.5	11.5	1,200	7516685
	CAPT3743*4A*	A*VC81005C*B*	33,400	24,800	14.5	11.5	1,200	7516686
	CAPT3743*4A*	A*VC960403BNA*	34,000	25,200	14.5	11.5	1,200	7516687
	CAPT3743*4A*	A*VC960603BNA*	34,200	25,400	14.5	11.5	1,250	7516688
	CAPT3743*4A*	A*VC960803BNA*	34,200	25,400	14.5	11.5	1,250	7516689
	CAPT3743*4A*	A*VC960804CNA*	34,600	25,600	14.5	11.5	1,190	7516690
	CAPT3743*4A*	A*VC961005CNA*	34,600	25,600	14.5	11.5	1,175	7516691
	CAPT3743*4A*	A*VC961205DNA*	34,400	25,400	14.5	11.5	1,200	7516692
	CAPT3743*4A*	A*VM970603BNA*	34,200	25,400	14.5	11.5	1,250	7516693
	CAPT3743*4A*	A*VM970803BNA*	34,200	25,400	14.5	11.5	1,250	7516694
	CAPT3743*4A*	A*VM970804CNA*	34,600	25,600	14.5	11.5	1,190	7516695
	CAPT3743*4A*	A*VM971005CNA*	34,600	25,600	14.5	11.5	1,175	7516696
	CAPT3743*4A*	A*VM971205DNA*	34,400	25,400	14.5	11.5	1,200	7516697
	CAPT3743*4A*	G*E80805C*B*	33,600	25,000	14.5	11.5	1,210	7516698
	CAPT3743*4A*	G*E81005C*B*	34,000	25,200	14.5	11.5	1,230	7516699
	CAPT3743*4A*	G*EC960803BNA*	34,200	25,400	14.0	11.5	1,150	7516700
	CAPT3743*4A*	G*VC80604B*B*	33,600	25,000	14.5	11.5	1,220	7516701
	CAPT3743*4A*	G*VC80805C*B*	33,600	25,000	14.5	11.5	1,200	7516702
	CAPT3743*4A*	G*VC81005C*B*	33,400	24,800	14.5	11.5	1,200	7516703
	CAPT3743*4A*	G*VC960403BNA*	34,000	25,200	14.5	11.5	1,200	7516704
	CAPT3743*4A*	G*VC960603BNA*	34,200	25,400	14.5	11.5	1,250	7516705
	CAPT3743*4A*	G*VC960803BNA*	34,200	25,400	14.5	11.5	1,250	7516706
	CAPT3743*4A*	G*VC960804CNA*	34,600	25,600	14.5	11.5	1,190	7516707
	CAPT3743*4A*	G*VC961005CNA*	34,600	25,600	14.5	11.5	1,175	7516708
	CAPT3743*4A*	G*VC961205DNA*	34,400	25,400	14.5	11.5	1,200	7516709
	CAPT3743*4A*	G*VM970603BNA*	34,200	25,400	14.5	11.5	1,250	7516710
	CAPT3743*4A*	G*VM970803BNA*	34,200	25,400	14.5	11.5	1,250	7516711
	CAPT3743*4A*	G*VM970804CNA*	34,600	25,600	14.5	11.5	1,190	7516712
	CAPT3743*4A*	G*VM971005CNA*	34,600	25,600	14.5	11.5	1,175	7516713
	CAPT3743*4A*	G*VM971205DNA*	34,400	25,400	14.5	11.5	1,200	7516714
	CAPT3743*4A*	A*EC960603BNA*	34,200	25,400	14.0	11.5	1,150	7516717
	CAPT3743*4A*	A*EC961004CNA*	34,600	25,600	14.5	11.5	1,250	7516718
	CAPT3743*4A*	A*EC961205DNA*	34,000	25,200	14.5	11.5	1,075	7516719
	CAPT3743*4A*	G*EC960603BNA*	34,200	25,400	14.0	11.5	1,150	7516720
CAPT3743*4A*	G*EC961004CNA*	34,600	25,600	14.5	11.5	1,250	7516721	
CAPT3743*4A*	G*EC961205DNA*	34,000	25,200	14.5	11.5	1,075	7516722	
CAPT3743*4A*+EEP		34,600	25,600	14.5	11.5	1,200	7516682	
CAPT3743*4A*+MBVC1600*-1A*		34,000	25,200	14.5	11.5	1,205	7516715	
CAPT3743*4A*+MBVC2000*-1A*		34,000	25,200	14.5	11.5	1,205	7516716	
CHPF3642C6C*	G*E80805C*B*	33,600	25,000	14.5	11.5	1,210	7516731	

See Notes on Page 71.

AHRI RATINGS (CONT.)

OUTDOOR UNIT	INDOOR UNITS		COOLING RATINGS				CFM	AHRI #
	COILS/AIR HANDLERS	FURNACES	TOTAL ¹	SENS. ¹	SEER ²	EER ³		
GSX14 0361K* (cont.)	CHPF3642C6C*	G*E81005C*B*	34,000	25,200	14.5	11.5	1,230	7516732
	CHPF3642C6C*+EEP		34,600	25,600	14.0	11.5	1,200	7516723
	CHPF3642C6C*+EEP+TXV		34,600	25,600	14.0	11.5	1,200	7516724
	CHPF3642C6C*+MBVC1600**_1A*		35,000	26,000	14.5	11.5	1,200	7516733
	CHPF3642C6C*+TXV	A*EC960603BNA*	34,200	25,400	14.5	11.5	1,150	7516725
	CHPF3642C6C*+TXV	A*EC960803BNA*	34,200	25,400	14.5	11.5	1,150	7516726
	CHPF3642C6C*+TXV	G*E80805C*B*	33,600	25,000	14.5	11.5	1,210	7516727
	CHPF3642C6C*+TXV	G*E81005C*B*	34,000	25,200	14.5	12.0	1,230	7516728
	CHPF3642C6C*+TXV	G*EC960603BNA*	34,200	25,400	14.5	11.5	1,150	7516729
	CHPF3642C6C*+TXV	G*EC960803BNA*	34,200	25,400	14.5	11.5	1,150	7516730
	CHPF3642C6C*+TXV	G*E80603B*B*	33,400	24,800	14.5	11.5	1,250	7516734
	CHPF3743C6B*	A*VC80805C*B*	33,600	25,000	14.5	11.5	1,200	7516761
	CHPF3743C6B*	A*VC81005C*B*	33,400	24,800	14.5	11.5	1,200	7516762
	CHPF3743C6B*	A*VC960804CNA*	34,600	25,600	14.5	11.5	1,190	7516763
	CHPF3743C6B*	A*VC961005CNA*	34,600	25,600	14.5	11.5	1,175	7516764
	CHPF3743C6B*	A*VM970804CNA*	34,600	25,600	14.5	11.5	1,190	7516765
	CHPF3743C6B*	G*VC80805C*B*	33,600	25,000	14.5	11.5	1,200	7516766
	CHPF3743C6B*	G*VC81005C*B*	33,400	24,800	14.5	11.5	1,200	7516767
	CHPF3743C6B*	G*VC960804CNA*	34,600	25,600	14.5	11.5	1,190	7516768
	CHPF3743C6B*	G*VC961005CNA*	34,600	25,600	14.5	11.5	1,175	7516769
	CHPF3743C6B*	G*VM970804CNA*	34,600	25,600	14.5	11.5	1,190	7516770
	CHPF3743C6B*	A*EC961004CNA*	34,600	25,600	14.5	11.5	1,250	7516774
	CHPF3743C6B*	G*EC961004CNA*	34,600	25,600	14.5	11.5	1,250	7516775
	CHPF3743C6B*	A*VM971005CNA*	34,600	25,600	14.5	11.5	1,175	7520314
	CHPF3743C6B*	G*VM971005CNA*	34,600	25,600	14.5	11.5	1,175	7520315
	CHPF3743C6B*+EEP		34,000	25,200	14.0	11.5	1,150	7516735
	CHPF3743C6B*+EEP+TXV		34,000	25,200	14.5	11.5	1,150	7516736
	CHPF3743C6B*+MBVC1600**_1A*		35,000	26,000	14.5	11.5	1,200	7516771
	CHPF3743C6B*+TXV	A*VC80604B*B*	33,600	25,000	14.5	11.5	1,220	7516737
	CHPF3743C6B*+TXV	A*VC80805C*B*	33,600	25,000	14.5	12.0	1,200	7516738
	CHPF3743C6B*+TXV	A*VC81005C*B*	33,400	24,800	14.5	12.0	1,200	7516739
	CHPF3743C6B*+TXV	A*VC960403BNA*	34,200	25,400	14.5	11.5	1,200	7516740
	CHPF3743C6B*+TXV	A*VC960603BNA*	34,400	25,400	14.5	11.5	1,250	7516741
	CHPF3743C6B*+TXV	A*VC960803BNA*	34,400	25,400	14.5	11.5	1,250	7516742
	CHPF3743C6B*+TXV	A*VC960804CNA*	34,600	25,600	14.5	12.0	1,190	7516743
	CHPF3743C6B*+TXV	A*VC961005CNA*	34,600	25,600	14.5	12.0	1,175	7516744
	CHPF3743C6B*+TXV	A*VM970603BNA*	34,400	25,400	14.5	11.5	1,250	7516745
	CHPF3743C6B*+TXV	A*VM970803BNA*	34,400	25,400	14.5	11.5	1,250	7516746
	CHPF3743C6B*+TXV	A*VM970804CNA*	34,600	25,600	14.5	11.5	1,190	7516747
	CHPF3743C6B*+TXV	A*VM971005CNA*	34,600	25,600	14.5	11.5	1,175	7516748
	CHPF3743C6B*+TXV	G*VC80604B*B*	33,600	25,000	14.5	11.5	1,220	7516749
	CHPF3743C6B*+TXV	G*VC80805C*B*	33,600	25,000	14.5	12.0	1,200	7516750
	CHPF3743C6B*+TXV	G*VC81005C*B*	33,400	24,800	14.5	12.0	1,200	7516751
	CHPF3743C6B*+TXV	G*VC960403BNA*	34,200	25,400	14.5	11.5	1,200	7516752
	CHPF3743C6B*+TXV	G*VC960603BNA*	34,400	25,400	14.5	11.5	1,250	7516753
	CHPF3743C6B*+TXV	G*VC960803BNA*	34,400	25,400	14.5	11.5	1,250	7516754
	CHPF3743C6B*+TXV	G*VC960804CNA*	34,600	25,600	14.5	12.0	1,190	7516755
	CHPF3743C6B*+TXV	G*VC961005CNA*	34,600	25,600	14.5	12.0	1,175	7516756
	CHPF3743C6B*+TXV	G*VM970603BNA*	34,400	25,400	14.5	11.5	1,250	7516757
	CHPF3743C6B*+TXV	G*VM970803BNA*	34,400	25,400	14.5	11.5	1,250	7516758
CHPF3743C6B*+TXV	G*VM970804CNA*	34,600	25,600	14.5	11.5	1,190	7516759	
CHPF3743C6B*+TXV	G*VM971005CNA*	34,600	25,600	14.5	11.5	1,175	7516760	
CHPF3743C6B*+TXV	A*EC961004CNA*	34,600	25,600	14.5	11.5	1,250	7516772	

See Notes on Page 71.

OUTDOOR UNIT	INDOOR UNITS		COOLING RATINGS				CFM	AHRI #
	COILS/AIR HANDLERS	FURNACES	TOTAL ¹	SENS. ¹	SEER ²	EER ³		
GSX14 0361K* (cont.)	CHPF3743C6B*+TXV	G*EC961004CNA*	34,600	25,600	14.5	11.5	1,250	7516773
	CHPF3743D6B*	A*VC961205DNA*	34,600	25,600	14.5	11.5	1,200	7516784
	CHPF3743D6B*	A*VM971205DNA*	34,600	25,600	14.5	11.5	1,200	7516785
	CHPF3743D6B*	G*VC961205DNA*	34,600	25,600	14.5	11.5	1,200	7516786
	CHPF3743D6B*	G*VM971205DNA*	34,600	25,600	14.5	11.5	1,200	7516787
	CHPF3743D6B*	A*EC961205DNA*	34,000	25,200	14.5	11.5	1,075	7516788
	CHPF3743D6B*	G*EC961205DNA*	34,000	25,200	14.5	11.5	1,075	7516789
	CHPF3743D6B*+EEP		34,600	25,600	14.5	11.5	1,150	7516776
	CHPF3743D6B*+EEP+TXV		34,600	25,600	14.5	12.0	1,150	7516777
	CHPF3743D6B*+TXV	A*EC961205DNA*	34,000	25,200	14.5	12.0	1,075	7516778
	CHPF3743D6B*+TXV	A*VC961205DNA*	34,600	25,600	14.5	12.0	1,200	7516779
	CHPF3743D6B*+TXV	A*VM971205DNA*	34,600	25,600	14.5	12.0	1,200	7516780
	CHPF3743D6B*+TXV	G*EC961205DNA*	34,000	25,200	14.5	12.0	1,075	7516781
	CHPF3743D6B*+TXV	G*VC961205DNA*	34,600	25,600	14.5	12.0	1,200	7516782
	CHPF3743D6B*+TXV	G*VM971205DNA*	34,600	25,600	14.5	12.0	1,200	7516783
	CSCF4860N6D*	A*VC80805C*B*	33,600	25,000	14.5	11.5	1,200	7516822
	CSCF4860N6D*	A*VC81005C*B*	33,400	24,800	14.5	11.5	1,200	7516823
	CSCF4860N6D*	A*VC960804CNA*	34,600	25,600	14.5	11.5	1,190	7516824
	CSCF4860N6D*	A*VC961005CNA*	34,600	25,600	14.5	11.5	1,175	7516825
	CSCF4860N6D*	A*VC961205DNA*	34,600	25,600	14.5	11.5	1,200	7516826
	CSCF4860N6D*	A*VM970804CNA*	34,600	25,600	14.5	11.5	1,190	7516827
	CSCF4860N6D*	A*VM971005CNA*	34,600	25,600	14.5	11.5	1,175	7516828
	CSCF4860N6D*	A*VM971205DNA*	34,600	25,600	14.5	11.5	1,200	7516829
	CSCF4860N6D*	G*E80805C*B*	33,600	25,000	14.5	11.5	1,210	7516830
	CSCF4860N6D*	G*E81005C*B*	34,000	25,200	14.5	11.5	1,230	7516831
	CSCF4860N6D*	G*VC80805C*B*	33,600	25,000	14.5	11.5	1,200	7516832
	CSCF4860N6D*	G*VC81005C*B*	33,400	24,800	14.5	11.5	1,200	7516833
	CSCF4860N6D*	G*VC960804CNA*	34,600	25,600	14.5	11.5	1,190	7516834
	CSCF4860N6D*	G*VC961005CNA*	34,600	25,600	14.5	11.5	1,175	7516835
	CSCF4860N6D*	G*VC961205DNA*	34,600	25,600	14.5	11.5	1,200	7516836
	CSCF4860N6D*	G*VM970804CNA*	34,600	25,600	14.5	11.5	1,190	7516837
	CSCF4860N6D*	G*VM971005CNA*	34,600	25,600	14.5	11.5	1,175	7516838
	CSCF4860N6D*	G*VM971205DNA*	34,600	25,600	14.5	11.5	1,200	7516839
	CSCF4860N6D*+EEP		34,600	25,600	14.0	11.5	1,200	7516790
	CSCF4860N6D*+EEP+TXV		34,600	25,600	14.0	11.5	1,200	7516791
	CSCF4860N6D*+TXV	A*VC80604B*B*	33,600	25,000	14.5	11.5	1,220	7516792
	CSCF4860N6D*+TXV	A*VC80805C*B*	33,600	25,000	14.5	12.0	1,200	7516793
	CSCF4860N6D*+TXV	A*VC81005C*B*	33,400	24,800	14.5	11.5	1,200	7516794
	CSCF4860N6D*+TXV	A*VC960403BNA*	34,200	25,400	14.5	11.5	1,200	7516795
	CSCF4860N6D*+TXV	A*VC960603BNA*	34,400	25,400	14.5	11.5	1,250	7516796
	CSCF4860N6D*+TXV	A*VC960803BNA*	34,400	25,400	14.5	11.5	1,250	7516797
	CSCF4860N6D*+TXV	A*VC960804CNA*	34,600	25,600	14.5	12.0	1,190	7516798
	CSCF4860N6D*+TXV	A*VC961005CNA*	34,600	25,600	14.5	11.5	1,175	7516799
	CSCF4860N6D*+TXV	A*VC961205DNA*	34,600	25,600	14.5	12.0	1,200	7516800
	CSCF4860N6D*+TXV	A*VM970603BNA*	34,400	25,400	14.5	11.5	1,250	7516801
	CSCF4860N6D*+TXV	A*VM970803BNA*	34,400	25,400	14.5	11.5	1,250	7516802
	CSCF4860N6D*+TXV	A*VM970804CNA*	34,600	25,600	14.5	11.5	1,190	7516803
	CSCF4860N6D*+TXV	A*VM971005CNA*	34,600	25,600	14.5	11.5	1,175	7516804
	CSCF4860N6D*+TXV	A*VM971205DNA*	34,600	25,600	14.5	12.0	1,200	7516805
	CSCF4860N6D*+TXV	G*E80805C*B*	33,600	25,000	14.5	11.5	1,210	7516806
CSCF4860N6D*+TXV	G*E81005C*B*	34,000	25,200	14.5	12.0	1,230	7516807	
CSCF4860N6D*+TXV	G*VC80604B*B*	33,600	25,000	14.5	11.5	1,220	7516808	
CSCF4860N6D*+TXV	G*VC80805C*B*	33,600	25,000	14.5	12.0	1,200	7516809	

See Notes on Page 71.

AHRI RATINGS (CONT.)

OUTDOOR UNIT	INDOOR UNITS		COOLING RATINGS				CFM	AHRI #
	COILS/AIR HANDLERS	FURNACES	TOTAL ¹	SENS. ¹	SEER ²	EER ³		
GSX14 0361K* (cont.)	CSCF4860N6D*+TXV	G*VC81005C*B*	33,400	24,800	14.5	11.5	1,200	7516810
	CSCF4860N6D*+TXV	G*VC960403BNA*	34,200	25,400	14.5	11.5	1,200	7516811
	CSCF4860N6D*+TXV	G*VC960603BNA*	34,400	25,400	14.5	11.5	1,250	7516812
	CSCF4860N6D*+TXV	G*VC960803BNA*	34,400	25,400	14.5	11.5	1,250	7516813
	CSCF4860N6D*+TXV	G*VC960804CNA*	34,600	25,600	14.5	12.0	1,190	7516814
	CSCF4860N6D*+TXV	G*VC961005CNA*	34,600	25,600	14.5	11.5	1,175	7516815
	CSCF4860N6D*+TXV	G*VC961205DNA*	34,600	25,600	14.5	12.0	1,200	7516816
	CSCF4860N6D*+TXV	G*VM970603BNA*	34,400	25,400	14.5	11.5	1,250	7516817
	CSCF4860N6D*+TXV	G*VM970803BNA*	34,400	25,400	14.5	11.5	1,250	7516818
	CSCF4860N6D*+TXV	G*VM970804CNA*	34,600	25,600	14.5	11.5	1,190	7516819
	CSCF4860N6D*+TXV	G*VM971005CNA*	34,600	25,600	14.5	11.5	1,175	7516820
	CSCF4860N6D*+TXV	G*VM971205DNA*	34,600	25,600	14.5	12.0	1,200	7516821
CSCF4860N6D*+TXV	G*E80603B*B*	33,400	24,800	14.5	11.5	1,250	7516840	
GSX14 0371K*	ARUF37C14A*+TXV		33,400	25,200	14.0	12.2	1,050	7984197
	ARUF37D14A*		34,200	25,800	14.0	12.2	1,240	8171724
	ARUF49C14A*		34,000	25,800	14.0	12.2	1,220	7984198
	ASPT36C14A*		34,200	25,800	14.5	12.5	1,210	7516841
	ASPT37C14A*		34,200	25,800	14.5	12.2	1,120	8242065
	ASPT42D14A*		34,200	25,800	15.0	12.5	1,280	7516842
	ASPT47C14A*		34,200	25,800	14.5	12.2	1,120	8242066
	ASPT47D14A*		34,600	26,200	15.0	12.5	1,205	8242067
	AVPTC36C14A*		34,000	25,800	14.5	12.2	1,100	7516843
	AVPTC42D14A*		34,800	26,400	15.0	12.5	1,120	7516844
	AWUF37XX16B*+TXV		33,000	25,000	14.5	12.2	355	7516845
	CA*F3137*6A*	A*VC80604B*B*	33,600	25,400	15.0	12.5	1,220	7520316
	CA*F3137*6A*	A*VC960403BNA*	34,000	25,800	15.0	12.5	1,200	7520317
	CA*F3137*6A*	A*VC960603BNA*	34,000	25,800	15.0	12.5	1,250	7520318
	CA*F3137*6A*	A*VC960803BNA*	34,000	25,800	15.0	12.5	1,250	7520319
	CA*F3137*6A*	A*VM970603BNA*	34,000	25,800	15.0	12.5	1,250	7520320
	CA*F3137*6A*	A*VM970803BNA*	34,000	25,800	15.0	12.5	1,250	7520321
	CA*F3137*6A*	G*E80603B*B*	33,400	25,200	14.5	12.2	1,225	7520322
	CA*F3137*6A*	G*VC80604B*B*	33,600	25,400	15.0	12.5	1,220	7520323
	CA*F3137*6A*	G*VC960403BNA*	34,000	25,800	15.0	12.5	1,200	7520324
	CA*F3137*6A*	G*VC960603BNA*	34,000	25,800	15.0	12.5	1,250	7520325
	CA*F3137*6A*	G*VC960803BNA*	34,000	25,800	15.0	12.5	1,250	7520326
	CA*F3137*6A*	G*VM970603BNA*	34,000	25,800	15.0	12.5	1,250	7520327
	CA*F3137*6A*	G*VM970803BNA*	34,000	25,800	15.0	12.5	1,250	7520328
	CA*F3137*6A*+EEP		34,000	25,800	14.0	12.2	1,200	7516868
	CA*F3137*6A*+EEP+TXV		34,000	25,800	14.0	12.2	1,200	7516869
	CA*F3743*6D*	A*EC961004CNA*	34,600	26,200	14.5	12.2	1,250	7516932
	CA*F3743*6D*	A*EC961205DNA*	34,400	26,000	15.0	12.5	1,075	7516933
	CA*F3743*6D*	A*VC80805C*B*	33,600	25,400	14.5	12.2	1,200	7516934
	CA*F3743*6D*	A*VC81005C*B*	33,400	25,200	14.5	12.2	1,200	7516935
	CA*F3743*6D*	A*VC960804CNA*	34,600	26,200	14.5	12.2	1,190	7516936
	CA*F3743*6D*	A*VC961005CNA*	34,600	26,200	14.5	12.2	1,175	7516937
	CA*F3743*6D*	A*VC961205DNA*	34,600	26,200	15.0	12.5	1,200	7516938
	CA*F3743*6D*	A*VM970804CNA*	34,600	26,200	14.5	12.2	1,190	7516939
	CA*F3743*6D*	A*VM971005CNA*	34,600	26,200	14.5	12.2	1,175	7516940
	CA*F3743*6D*	A*VM971205DNA*	34,600	26,200	15.0	12.5	1,200	7516941
CA*F3743*6D*	G*E80805C*B*	33,600	25,400	14.5	12.2	1,210	7516942	
CA*F3743*6D*	G*E81005C*B*	34,000	25,800	14.5	12.2	1,200	7516943	
CA*F3743*6D*	G*EC961004CNA*	34,600	26,200	14.5	12.2	1,250	7516944	
CA*F3743*6D*	G*EC961205DNA*	34,400	26,000	15.0	12.5	1,075	7516945	

See Notes on Page 71.

OUTDOOR UNIT	INDOOR UNITS		COOLING RATINGS				CFM	AHRI #
	COILS/AIR HANDLERS	FURNACES	TOTAL ¹	SENS. ¹	SEER ²	EER ³		
GSX14 0371K* (cont.)	CA*F3743*6D*	G*VC80805C*B*	33,600	25,400	14.5	12.2	1,200	7516946
	CA*F3743*6D*	G*VC81005C*B*	33,400	25,200	14.5	12.2	1,200	7516947
	CA*F3743*6D*	G*VC960804CNA*	34,600	26,200	14.5	12.2	1,190	7516948
	CA*F3743*6D*	G*VC961005CNA*	34,600	26,200	14.5	12.2	1,175	7516949
	CA*F3743*6D*	G*VC961205DNA*	34,600	26,200	15.0	12.5	1,200	7516950
	CA*F3743*6D*	G*VM970804CNA*	34,600	26,200	14.5	12.2	1,190	7516951
	CA*F3743*6D*	G*VM971005CNA*	34,600	26,200	14.5	12.2	1,175	7516952
	CA*F3743*6D*	G*VM971205DNA*	34,600	26,200	15.0	12.5	1,200	7516953
	CA*F3743*6D*+EEP		34,000	25,800	14.0	12.2	1,200	7516891
	CA*F3743*6D*+EEP+TXV		34,000	25,800	14.5	12.2	1,200	7516892
	CA*F3743*6D*+MBVC1600**-1A*		34,600	26,200	14.5	12.2	1,200	7516893
	CA*F3743*6D*+MBVC1600**-1A*+TXV		34,600	26,200	14.5	12.2	1,200	7516894
	CA*F3743*6D*+MBVC2000**-1A*		34,600	26,200	15.0	12.5	1,200	7516895
	CA*F3743*6D*+MBVC2000**-1A*+TXV		34,600	26,200	15.0	12.5	1,200	7516896
	CA*F3743*6D*+TXV	A*EC961004CNA*	34,600	26,200	15.0	12.5	1,250	7516897
	CA*F3743*6D*+TXV	A*EC961205DNA*	34,400	26,000	15.0	12.5	1,075	7516898
	CA*F3743*6D*+TXV	A*VC80604B*B*	33,600	25,400	14.5	12.2	1,220	7516899
	CA*F3743*6D*+TXV	A*VC80805C*B*	33,600	25,400	15.0	12.5	1,200	7516900
	CA*F3743*6D*+TXV	A*VC81005C*B*	33,400	25,200	15.0	12.5	1,200	7516901
	CA*F3743*6D*+TXV	A*VC960403BNA*	34,000	25,800	14.5	12.2	1,200	7516902
	CA*F3743*6D*+TXV	A*VC960603BNA*	34,400	26,000	14.5	12.2	1,250	7516903
	CA*F3743*6D*+TXV	A*VC960803BNA*	34,400	26,000	14.5	12.2	1,250	7516904
	CA*F3743*6D*+TXV	A*VC960804CNA*	34,600	26,200	15.0	12.5	1,190	7516905
	CA*F3743*6D*+TXV	A*VC961005CNA*	34,600	26,200	15.0	12.5	1,175	7516906
	CA*F3743*6D*+TXV	A*VC961205DNA*	34,600	26,200	15.0	12.5	1,200	7516907
	CA*F3743*6D*+TXV	A*VM970603BNA*	34,200	25,800	14.5	12.2	1,250	7516908
	CA*F3743*6D*+TXV	A*VM970803BNA*	34,400	26,000	14.5	12.2	1,250	7516909
	CA*F3743*6D*+TXV	A*VM970804CNA*	34,600	26,200	15.0	12.5	1,190	7516910
	CA*F3743*6D*+TXV	A*VM971005CNA*	34,600	26,200	15.0	12.5	1,175	7516911
	CA*F3743*6D*+TXV	A*VM971205DNA*	34,600	26,200	15.0	12.5	1,200	7516912
	CA*F3743*6D*+TXV	G*E80603B*B*	33,400	25,200	14.5	12.2	1,225	7516913
	CA*F3743*6D*+TXV	G*E80805C*B*	33,600	25,400	15.0	12.5	1,210	7516914
	CA*F3743*6D*+TXV	G*E81005C*B*	34,000	25,800	15.0	12.5	1,200	7516915
	CA*F3743*6D*+TXV	G*EC961004CNA*	34,600	26,200	15.0	12.5	1,250	7516916
	CA*F3743*6D*+TXV	G*EC961205DNA*	34,400	26,000	15.0	12.5	1,075	7516917
	CA*F3743*6D*+TXV	G*VC80604B*B*	33,600	25,400	14.5	12.2	1,220	7516918
	CA*F3743*6D*+TXV	G*VC80805C*B*	33,600	25,400	15.0	12.5	1,200	7516919
	CA*F3743*6D*+TXV	G*VC81005C*B*	33,400	25,200	15.0	12.5	1,200	7516920
	CA*F3743*6D*+TXV	G*VC960403BNA*	34,000	25,800	14.5	12.2	1,200	7516921
	CA*F3743*6D*+TXV	G*VC960603BNA*	34,400	26,000	14.5	12.2	1,250	7516922
	CA*F3743*6D*+TXV	G*VC960803BNA*	34,400	26,000	14.5	12.2	1,250	7516923
	CA*F3743*6D*+TXV	G*VC960804CNA*	34,600	26,200	15.0	12.5	1,190	7516924
	CA*F3743*6D*+TXV	G*VC961005CNA*	34,600	26,200	15.0	12.5	1,175	7516925
	CA*F3743*6D*+TXV	G*VC961205DNA*	34,600	26,200	15.0	12.5	1,200	7516926
	CA*F3743*6D*+TXV	G*VM970603BNA*	34,200	25,800	14.5	12.2	1,250	7516927
CA*F3743*6D*+TXV	G*VM970803BNA*	34,400	26,000	14.5	12.2	1,250	7516928	
CA*F3743*6D*+TXV	G*VM970804CNA*	34,600	26,200	15.0	12.5	1,190	7516929	
CA*F3743*6D*+TXV	G*VM971005CNA*	34,600	26,200	15.0	12.5	1,175	7516930	
CA*F3743*6D*+TXV	G*VM971205DNA*	34,600	26,200	15.0	12.5	1,200	7516931	
CAPT3743*4A*	A*EC961004CNA*	34,600	26,200	14.5	12.2	1,250	7516957	
CAPT3743*4A*	A*EC961205DNA*	34,400	26,000	15.0	12.5	1,075	7516958	
CAPT3743*4A*	A*VC80604B*B*	33,600	25,400	14.5	12.2	1,220	7516959	
CAPT3743*4A*	A*VC80805C*B*	33,600	25,400	15.0	12.2	1,200	7516960	

See Notes on Page 71.

AHRI RATINGS (CONT.)

OUTDOOR UNIT	INDOOR UNITS		COOLING RATINGS				CFM	AHRI #
	COILS/AIR HANDLERS	FURNACES	TOTAL ¹	SENS. ¹	SEER ²	EER ³		
GSX14 0371K* (cont.)	CAPT3743*4A*	A*VC81005C*B*	33,400	25,200	15.0	12.2	1,200	7516961
	CAPT3743*4A*	A*VC960403BNA*	34,000	25,800	14.5	12.2	1,200	7516962
	CAPT3743*4A*	A*VC960603BNA*	34,200	25,800	14.5	12.2	1,250	7516963
	CAPT3743*4A*	A*VC960803BNA*	34,200	25,800	14.5	12.2	1,250	7516964
	CAPT3743*4A*	A*VC960804CNA*	34,600	26,200	15.0	12.2	1,190	7516965
	CAPT3743*4A*	A*VC961005CNA*	34,600	26,200	15.0	12.2	1,175	7516966
	CAPT3743*4A*	A*VC961205DNA*	34,400	26,000	15.0	12.5	1,200	7516967
	CAPT3743*4A*	A*VM970603BNA*	34,200	25,800	14.5	12.2	1,250	7516968
	CAPT3743*4A*	A*VM970803BNA*	34,200	25,800	14.5	12.2	1,250	7516969
	CAPT3743*4A*	A*VM970804CNA*	34,600	26,200	15.0	12.2	1,190	7516970
	CAPT3743*4A*	A*VM971005CNA*	34,600	26,200	15.0	12.2	1,175	7516971
	CAPT3743*4A*	A*VM971205DNA*	34,400	26,000	15.0	12.5	1,200	7516972
	CAPT3743*4A*	G*E80805C*B*	33,600	25,400	14.5	12.2	1,210	7516973
	CAPT3743*4A*	G*E81005C*B*	34,000	25,800	14.5	12.2	1,200	7516974
	CAPT3743*4A*	G*EC961004CNA*	34,600	26,200	14.5	12.2	1,250	7516975
	CAPT3743*4A*	G*EC961205DNA*	34,400	26,000	15.0	12.5	1,075	7516976
	CAPT3743*4A*	G*VC80604B*B*	33,600	25,400	14.5	12.2	1,220	7516977
	CAPT3743*4A*	G*VC80805C*B*	33,600	25,400	15.0	12.2	1,200	7516978
	CAPT3743*4A*	G*VC81005C*B*	33,400	25,200	15.0	12.2	1,200	7516979
	CAPT3743*4A*	G*VC960403BNA*	34,000	25,800	14.5	12.2	1,200	7516980
	CAPT3743*4A*	G*VC960603BNA*	34,200	25,800	14.5	12.2	1,250	7516981
	CAPT3743*4A*	G*VC960803BNA*	34,200	25,800	14.5	12.2	1,250	7516982
	CAPT3743*4A*	G*VC960804CNA*	34,600	26,200	15.0	12.2	1,190	7516983
	CAPT3743*4A*	G*VC961005CNA*	34,600	26,200	15.0	12.2	1,175	7516984
	CAPT3743*4A*	G*VC961205DNA*	34,400	26,000	15.0	12.5	1,200	7516985
	CAPT3743*4A*	G*VM970603BNA*	34,200	25,800	14.5	12.2	1,250	7516986
	CAPT3743*4A*	G*VM970803BNA*	34,200	25,800	14.5	12.2	1,250	7516987
	CAPT3743*4A*	G*VM970804CNA*	34,600	26,200	15.0	12.2	1,190	7516988
	CAPT3743*4A*	G*VM971005CNA*	34,600	26,200	15.0	12.2	1,175	7516989
	CAPT3743*4A*	G*VM971205DNA*	34,400	26,000	15.0	12.5	1,200	7516990
	CAPT3743*4A*+EEP		34,000	25,800	14.5	12.2	1,200	7516954
	CAPT3743*4A*+MBVC1600**.-1A*		34,200	25,800	14.5	12.2	1,200	7516955
	CAPT3743*4A*+MBVC2000**.-1A*		34,200	25,800	14.5	12.2	1,200	7516956
	CHPF3642C6C*	G*E80805C*B*	33,600	25,400	14.5	12.2	1,210	7516998
	CHPF3642C6C*	G*E81005C*B*	34,000	25,800	14.5	12.2	1,200	7516999
	CHPF3642C6C*+EEP		34,000	25,800	14.0	12.2	1,150	7516991
	CHPF3642C6C*+EEP+TXV		34,000	25,800	14.0	12.2	1,150	7516992
	CHPF3642C6C*+MBVC1600**.-1A*		34,000	25,800	14.5	12.2	1,200	7516993
	CHPF3642C6C*+MBVC1600**.-1A*+TXV		34,000	25,800	15.0	12.5	1,200	7516994
	CHPF3642C6C*+TXV	G*E80603B*B*	33,400	25,200	14.5	12.2	1,225	7516995
	CHPF3642C6C*+TXV	G*E80805C*B*	33,600	25,400	15.0	12.5	1,210	7516996
	CHPF3642C6C*+TXV	G*E81005C*B*	34,000	25,800	15.0	12.5	1,200	7516997
	CHPF3743C6B*+MBVC1600**.-1A*		34,600	26,200	14.5	12.2	1,200	7517012
	CHPF3743C6B*+MBVC1600**.-1A*+TXV		34,600	26,200	15.0	12.5	1,200	7517013
	CHPF3743C6B*+TXV	A*VC80604B*B*	33,600	25,400	14.5	12.2	1,220	7517000
	CHPF3743C6B*+TXV	A*VC960403BNA*	34,200	25,800	14.5	12.2	1,200	7517001
	CHPF3743C6B*+TXV	A*VC960603BNA*	34,400	26,000	14.5	12.2	1,250	7517002
	CHPF3743C6B*+TXV	A*VC960803BNA*	34,400	26,000	14.5	12.2	1,250	7517003
	CHPF3743C6B*+TXV	A*VM970603BNA*	34,400	26,000	14.5	12.2	1,250	7517004
	CHPF3743C6B*+TXV	A*VM970803BNA*	34,400	26,000	14.5	12.2	1,250	7517005
CHPF3743C6B*+TXV	G*VC80604B*B*	33,600	25,400	14.5	12.2	1,220	7517006	
CHPF3743C6B*+TXV	G*VC960403BNA*	34,200	25,800	14.5	12.2	1,200	7517007	
CHPF3743C6B*+TXV	G*VC960603BNA*	34,400	26,000	14.5	12.2	1,250	7517008	

See Notes on Page 71.

OUTDOOR UNIT	INDOOR UNITS		COOLING RATINGS				CFM	AHRI #
	COILS/AIR HANDLERS	FURNACES	TOTAL ¹	SENS. ¹	SEER ²	EER ³		
GSX14 0371K* (cont.)	CHPF3743C6B*+TXV	G*VC960803BNA*	34,400	26,000	14.5	12.2	1,250	7517009
	CHPF3743C6B*+TXV	G*VM970603BNA*	34,400	26,000	14.5	12.2	1,250	7517010
	CHPF3743C6B*+TXV	G*VM970803BNA*	34,400	26,000	14.5	12.2	1,250	7517011
	CHPF3743D6B*	A*EC961004CNA*	34,600	26,200	14.5	12.2	1,250	7517038
	CHPF3743D6B*	A*EC961205DNA*	34,200	25,800	15.0	12.5	1,075	7517039
	CHPF3743D6B*	A*VC80805C*B*	33,600	25,400	14.5	12.2	1,200	7517040
	CHPF3743D6B*	A*VC81005C*B*	33,400	25,200	14.5	12.2	1,200	7517041
	CHPF3743D6B*	A*VC960804CNA*	34,600	26,200	14.5	12.2	1,190	7517042
	CHPF3743D6B*	A*VC961005CNA*	34,600	26,200	14.5	12.2	1,175	7517043
	CHPF3743D6B*	A*VC961205DNA*	34,600	26,200	15.0	12.5	1,200	7517044
	CHPF3743D6B*	A*VM970804CNA*	34,600	26,200	14.5	12.2	1,190	7517045
	CHPF3743D6B*	A*VM971005CNA*	34,600	26,200	14.5	12.2	1,175	7517046
	CHPF3743D6B*	A*VM971205DNA*	34,600	26,200	15.0	12.5	1,200	7517047
	CHPF3743D6B*	G*EC961004CNA*	34,600	26,200	14.5	12.2	1,250	7517048
	CHPF3743D6B*	G*EC961205DNA*	34,200	25,800	15.0	12.5	1,075	7517049
	CHPF3743D6B*	G*VC80805C*B*	33,600	25,400	14.5	12.2	1,200	7517050
	CHPF3743D6B*	G*VC81005C*B*	33,400	25,200	14.5	12.2	1,200	7517051
	CHPF3743D6B*	G*VC960804CNA*	34,600	26,200	14.5	12.2	1,190	7517052
	CHPF3743D6B*	G*VC961005CNA*	34,600	26,200	14.5	12.2	1,175	7517053
	CHPF3743D6B*	G*VC961205DNA*	34,600	26,200	15.0	12.5	1,200	7517054
	CHPF3743D6B*	G*VM970804CNA*	34,600	26,200	14.5	12.2	1,190	7517055
	CHPF3743D6B*	G*VM971005CNA*	34,600	26,200	14.5	12.2	1,175	7517056
	CHPF3743D6B*	G*VM971205DNA*	34,600	26,200	15.0	12.5	1,200	7517057
	CHPF3743D6B*+EEP		34,600	26,200	14.5	12.2	1,150	7517015
	CHPF3743D6B*+EEP+TXV		34,600	26,200	15.0	12.5	1,150	7517016
	CHPF3743D6B*+TXV	A*EC961004CNA*	34,600	26,200	15.0	12.5	1,250	7517018
	CHPF3743D6B*+TXV	A*EC961205DNA*	34,200	25,800	15.0	12.5	1,075	7517019
	CHPF3743D6B*+TXV	A*VC80805C*B*	33,600	25,400	15.0	12.5	1,200	7517020
	CHPF3743D6B*+TXV	A*VC81005C*B*	33,400	25,200	15.0	12.5	1,200	7517021
	CHPF3743D6B*+TXV	A*VC960804CNA*	34,600	26,200	15.0	12.5	1,190	7517022
	CHPF3743D6B*+TXV	A*VC961005CNA*	34,600	26,200	15.0	12.5	1,175	7517023
	CHPF3743D6B*+TXV	A*VC961205DNA*	34,600	26,200	15.0	12.5	1,200	7517024
	CHPF3743D6B*+TXV	A*VM970804CNA*	34,600	26,200	15.0	12.5	1,190	7517025
	CHPF3743D6B*+TXV	A*VM971005CNA*	34,600	26,200	15.0	12.5	1,175	7517026
	CHPF3743D6B*+TXV	A*VM971205DNA*	34,600	26,200	15.0	12.5	1,200	7517027
	CHPF3743D6B*+TXV	G*EC961004CNA*	34,600	26,200	15.0	12.5	1,250	7517028
	CHPF3743D6B*+TXV	G*EC961205DNA*	34,200	25,800	15.0	12.5	1,075	7517029
	CHPF3743D6B*+TXV	G*VC80805C*B*	33,600	25,400	15.0	12.5	1,200	7517030
	CHPF3743D6B*+TXV	G*VC81005C*B*	33,400	25,200	15.0	12.5	1,200	7517031
	CHPF3743D6B*+TXV	G*VC960804CNA*	34,600	26,200	15.0	12.5	1,190	7517032
	CHPF3743D6B*+TXV	G*VC961005CNA*	34,600	26,200	15.0	12.5	1,175	7517033
	CHPF3743D6B*+TXV	G*VC961205DNA*	34,600	26,200	15.0	12.5	1,200	7517034
CHPF3743D6B*+TXV	G*VM970804CNA*	34,600	26,200	15.0	12.5	1,190	7517035	
CHPF3743D6B*+TXV	G*VM971005CNA*	34,600	26,200	15.0	12.5	1,175	7517036	
CHPF3743D6B*+TXV	G*VM971205DNA*	34,600	26,200	15.0	12.5	1,200	7517037	
CSCF4860N6D*	A*EC961004CNA*	34,600	26,200	14.5	12.2	1,250	7517095	
CSCF4860N6D*	A*EC961205DNA*	34,200	25,800	15.0	12.5	1,075	7517096	
CSCF4860N6D*	A*VC80805C*B*	33,600	25,400	14.5	12.2	1,200	7517097	
CSCF4860N6D*	A*VC81005C*B*	33,400	25,200	14.5	12.2	1,200	7517098	
CSCF4860N6D*	A*VC960804CNA*	34,600	26,200	14.5	12.2	1,190	7517099	
CSCF4860N6D*	A*VC961005CNA*	34,600	26,200	14.5	12.2	1,175	7517100	
CSCF4860N6D*	A*VC961205DNA*	34,600	26,200	15.0	12.5	1,200	7517101	
CSCF4860N6D*	A*VM970804CNA*	34,600	26,200	14.5	12.2	1,190	7517102	

See Notes on Page 71.

AHRI RATINGS (CONT.)

OUTDOOR UNIT	INDOOR UNITS		COOLING RATINGS				CFM	AHRI #
	COILS/AIR HANDLERS	FURNACES	TOTAL ¹	SENS. ¹	SEER ²	EER ³		
GSX14 0371K* (cont.)	CSCF4860N6D*	A*VM971005CNA*	34,600	26,200	14.5	12.2	1,175	7517103
	CSCF4860N6D*	A*VM971205DNA*	34,600	26,200	15.0	12.5	1,200	7517104
	CSCF4860N6D*	G*E80805C*B*	33,600	25,400	14.5	12.2	1,210	7517105
	CSCF4860N6D*	G*E81005C*B*	34,000	25,800	14.5	12.2	1,200	7517106
	CSCF4860N6D*	G*EC961004CNA*	34,600	26,200	14.5	12.2	1,250	7517107
	CSCF4860N6D*	G*EC961205DNA*	34,200	25,800	15.0	12.5	1,075	7517108
	CSCF4860N6D*	G*VC80805C*B*	33,600	25,400	14.5	12.2	1,200	7517109
	CSCF4860N6D*	G*VC81005C*B*	33,400	25,200	14.5	12.2	1,200	7517110
	CSCF4860N6D*	G*VC960804CNA*	34,600	26,200	14.5	12.2	1,190	7517111
	CSCF4860N6D*	G*VC961005CNA*	34,600	26,200	14.5	12.2	1,175	7517112
	CSCF4860N6D*	G*VC961205DNA*	34,600	26,200	15.0	12.5	1,200	7517113
	CSCF4860N6D*	G*VM970804CNA*	34,600	26,200	14.5	12.2	1,190	7517114
	CSCF4860N6D*	G*VM971005CNA*	34,600	26,200	14.5	12.2	1,175	7517115
	CSCF4860N6D*	G*VM971205DNA*	34,600	26,200	15.0	12.5	1,200	7517116
	CSCF4860N6D*+EEP		34,600	26,200	14.0	12.2	1,200	7517058
	CSCF4860N6D*+EEP+TXV		34,600	26,200	14.5	12.2	1,200	7517059
	CSCF4860N6D*+TXV	A*EC961004CNA*	34,600	26,200	15.0	12.5	1,250	7517060
	CSCF4860N6D*+TXV	A*EC961205DNA*	34,200	25,800	15.0	12.5	1,075	7517061
	CSCF4860N6D*+TXV	A*VC80604B*B*	33,600	25,400	14.5	12.2	1,220	7517062
	CSCF4860N6D*+TXV	A*VC80805C*B*	33,600	25,400	15.0	12.5	1,200	7517063
	CSCF4860N6D*+TXV	A*VC81005C*B*	33,400	25,200	15.0	12.5	1,200	7517064
	CSCF4860N6D*+TXV	A*VC960403BNA*	34,200	25,800	14.5	12.2	1,200	7517065
	CSCF4860N6D*+TXV	A*VC960603BNA*	34,400	26,000	14.5	12.2	1,250	7517066
	CSCF4860N6D*+TXV	A*VC960803BNA*	34,400	26,000	14.5	12.2	1,250	7517067
	CSCF4860N6D*+TXV	A*VC960804CNA*	34,600	26,200	15.0	12.5	1,190	7517068
	CSCF4860N6D*+TXV	A*VC961005CNA*	34,600	26,200	15.0	12.5	1,175	7517069
	CSCF4860N6D*+TXV	A*VC961205DNA*	34,600	26,200	15.0	12.5	1,200	7517070
	CSCF4860N6D*+TXV	A*VM970603BNA*	34,400	26,000	14.5	12.2	1,250	7517071
	CSCF4860N6D*+TXV	A*VM970803BNA*	34,400	26,000	14.5	12.2	1,250	7517072
	CSCF4860N6D*+TXV	A*VM970804CNA*	34,600	26,200	15.0	12.5	1,190	7517073
	CSCF4860N6D*+TXV	A*VM971005CNA*	34,600	26,200	15.0	12.5	1,175	7517074
	CSCF4860N6D*+TXV	A*VM971205DNA*	34,600	26,200	15.0	12.5	1,200	7517075
	CSCF4860N6D*+TXV	G*E80603B*B*	33,400	25,200	14.5	12.2	1,225	7517076
	CSCF4860N6D*+TXV	G*E80805C*B*	33,600	25,400	15.0	12.5	1,210	7517077
	CSCF4860N6D*+TXV	G*E81005C*B*	34,000	25,800	15.0	12.5	1,200	7517078
	CSCF4860N6D*+TXV	G*EC961004CNA*	34,600	26,200	15.0	12.5	1,250	7517079
	CSCF4860N6D*+TXV	G*EC961205DNA*	34,200	25,800	15.0	12.5	1,075	7517080
	CSCF4860N6D*+TXV	G*VC80604B*B*	33,600	25,400	14.5	12.2	1,220	7517081
	CSCF4860N6D*+TXV	G*VC80805C*B*	33,600	25,400	15.0	12.5	1,200	7517082
	CSCF4860N6D*+TXV	G*VC81005C*B*	33,400	25,200	15.0	12.5	1,200	7517083
	CSCF4860N6D*+TXV	G*VC960403BNA*	34,200	25,800	14.5	12.2	1,200	7517084
	CSCF4860N6D*+TXV	G*VC960603BNA*	34,400	26,000	14.5	12.2	1,250	7517085
	CSCF4860N6D*+TXV	G*VC960803BNA*	34,400	26,000	14.5	12.2	1,250	7517086
	CSCF4860N6D*+TXV	G*VC960804CNA*	34,600	26,200	15.0	12.5	1,190	7517087
	CSCF4860N6D*+TXV	G*VC961005CNA*	34,600	26,200	15.0	12.5	1,175	7517088
	CSCF4860N6D*+TXV	G*VC961205DNA*	34,600	26,200	15.0	12.5	1,200	7517089
	CSCF4860N6D*+TXV	G*VM970603BNA*	34,400	26,000	14.5	12.2	1,250	7517090
CSCF4860N6D*+TXV	G*VM970803BNA*	34,400	26,000	14.5	12.2	1,250	7517091	
CSCF4860N6D*+TXV	G*VM970804CNA*	34,600	26,200	15.0	12.5	1,190	7517092	
CSCF4860N6D*+TXV	G*VM971005CNA*	34,600	26,200	15.0	12.5	1,175	7517093	
CSCF4860N6D*+TXV	G*VM971205DNA*	34,600	26,200	15.0	12.5	1,200	7517094	

See Notes on Page 71.

OUTDOOR UNIT	INDOOR UNITS		COOLING RATINGS				CFM	AHRI #
	COILS/AIR HANDLERS	FURNACES	TOTAL ¹	SENS. ¹	SEER ²	EER ³		
GSX14 0421K*	ARUF43D14A*		37,400	29,600	14.0	11.5	1,270	8171725
	ARUF43D14A*+TXV		37,600	29,800	14.0	11.5	1,270	8171726
	ARUF47D14A*		37,600	29,800	14.0	11.5	1,375	7984199
	ASPT47D14A*		38,000	30,000	14.5	12.2	1,250	8242118
	ASPT48D14A*		38,000	30,000	15.0	12.5	1,385	7517117
	ASPT49D14A*		39,000	30,800	14.5	12.2	1,425	8242068
	ASPT59C14A*		38,000	30,000	14.0	12.0	1,260	8242069
	ASPT60D14A*		38,000	30,000	15.0	12.5	1,385	7517118
	AVPTC48D14A*		38,000	30,000	15.0	12.5	1,310	7517119
	CA*F4860*6D*	A*EC961004CNA*	38,000	30,000	14.0	11.5	1,275	7517143
	CA*F4860*6D*	A*EC961205DNA*	38,000	30,000	14.0	11.5	1,400	7517144
	CA*F4860*6D*	A*VC80805C*B*	38,000	30,000	14.0	11.5	1,400	7517145
	CA*F4860*6D*	A*VC81005C*B*	38,000	30,000	14.0	11.5	1,370	7517146
	CA*F4860*6D*	A*VC960804CNA*	38,000	30,000	14.0	11.5	1,385	7517147
	CA*F4860*6D*	A*VC961005CNA*	38,000	30,000	14.0	11.5	1,300	7517148
	CA*F4860*6D*	A*VM971005CNA*	38,000	30,000	14.0	11.5	1,300	7517149
	CA*F4860*6D*	A*VM971205DNA*	38,000	30,000	14.0	11.5	1,300	7517150
	CA*F4860*6D*	G*E80805C*B*	38,000	30,000	14.0	11.5	1,425	7517151
	CA*F4860*6D*	G*E80805D*A*	38,000	30,000	14.0	11.5	1,425	7517152
	CA*F4860*6D*	G*E81005C*B*	38,000	30,000	14.0	11.5	1,425	7517153
	CA*F4860*6D*	G*EC961004CNA*	38,000	30,000	14.0	11.5	1,275	7517154
	CA*F4860*6D*	G*EC961205DNA*	38,000	30,000	14.0	11.5	1,400	7517155
	CA*F4860*6D*	G*VC80805C*B*	38,000	30,000	14.0	11.5	1,400	7517156
	CA*F4860*6D*	G*VC81005C*B*	38,000	30,000	14.0	11.5	1,370	7517157
	CA*F4860*6D*	G*VC960804CNA*	38,000	30,000	14.0	11.5	1,385	7517158
	CA*F4860*6D*	G*VC961005CNA*	38,000	30,000	14.0	11.5	1,300	7517159
	CA*F4860*6D*	G*VM971005CNA*	38,000	30,000	14.0	11.5	1,300	7517160
	CA*F4860*6D*	G*VM971205DNA*	38,000	30,000	14.0	11.5	1,300	7517161
	CA*F4860*6D*	A*VC961205DNA*	38,000	30,000	14.0	11.5	1,425	7520333
	CA*F4860*6D*	A*VM970804CNA*	38,000	30,000	14.0	11.5	1,425	7520334
	CA*F4860*6D*	G*VC961205DNA*	38,000	30,000	14.0	11.5	1,425	7520335
	CA*F4860*6D*	G*VM970804CNA*	38,000	30,000	14.0	11.5	1,425	7520336
	CA*F4860*6D*+EEP		38,000	30,000	14.0	11.5	1,400	7517120
	CA*F4860*6D*+EEP+TXV		38,000	30,000	14.0	11.5	1,400	7517121
	CA*F4860*6D*+MBVC1600*-1A*		38,000	30,000	14.5	11.5	1,300	7517122
	CA*F4860*6D*+MBVC2000*-1A*		38,000	30,000	14.5	11.5	1,300	7517123
	CA*F4860*6D*+TXV	A*EC961004CNA*	38,000	30,000	14.5	11.5	1,275	7517124
	CA*F4860*6D*+TXV	A*EC961205DNA*	38,000	30,000	14.5	11.5	1,400	7517125
	CA*F4860*6D*+TXV	A*VC80805C*B*	38,000	30,000	14.5	11.5	1,400	7517126
	CA*F4860*6D*+TXV	A*VC81005C*B*	38,000	30,000	14.5	11.5	1,370	7517127
	CA*F4860*6D*+TXV	A*VC960804CNA*	38,000	30,000	14.5	11.5	1,385	7517128
	CA*F4860*6D*+TXV	A*VC961005CNA*	38,000	30,000	14.5	11.5	1,300	7517129
	CA*F4860*6D*+TXV	A*VM971005CNA*	38,000	30,000	14.5	11.5	1,300	7517130
	CA*F4860*6D*+TXV	A*VM971205DNA*	38,000	30,000	14.5	11.5	1,300	7517131
	CA*F4860*6D*+TXV	G*E80805C*B*	38,000	30,000	14.5	11.5	1,425	7517132
CA*F4860*6D*+TXV	G*E80805D*A*	38,000	30,000	14.5	11.5	1,425	7517133	
CA*F4860*6D*+TXV	G*E81005C*B*	38,000	30,000	14.5	11.5	1,425	7517134	
CA*F4860*6D*+TXV	G*EC961004CNA*	38,000	30,000	14.5	11.5	1,275	7517135	
CA*F4860*6D*+TXV	G*EC961205DNA*	38,000	30,000	14.5	11.5	1,400	7517136	
CA*F4860*6D*+TXV	G*VC80805C*B*	38,000	30,000	14.5	11.5	1,400	7517137	
CA*F4860*6D*+TXV	G*VC81005C*B*	38,000	30,000	14.5	11.5	1,370	7517138	
CA*F4860*6D*+TXV	G*VC960804CNA*	38,000	30,000	14.5	11.5	1,385	7517139	
CA*F4860*6D*+TXV	G*VC961005CNA*	38,000	30,000	14.5	11.5	1,300	7517140	

See Notes on Page 71.

AHRI RATINGS (CONT.)

OUTDOOR UNIT	INDOOR UNITS		COOLING RATINGS				CFM	AHRI #
	COILS/AIR HANDLERS	FURNACES	TOTAL ¹	SENS. ¹	SEER ²	EER ³		
GSX14 0421K* (cont.)	CA*F4860*6D*+TXV	G*VM971005CNA*	38,000	30,000	14.5	11.5	1,300	7517141
	CA*F4860*6D*+TXV	G*VM971205DNA*	38,000	30,000	14.5	11.5	1,300	7517142
	CA*F4860*6D*+TXV	A*VC961205DNA*	38,000	30,000	14.5	11.5	1,425	7520329
	CA*F4860*6D*+TXV	A*VM970804CNA*	38,000	30,000	14.5	11.5	1,425	7520330
	CA*F4860*6D*+TXV	G*VC961205DNA*	38,000	30,000	14.5	11.5	1,425	7520331
	CA*F4860*6D*+TXV	G*VM970804CNA*	38,000	30,000	14.5	11.5	1,425	7520332
	CA*F4961*6D*	A*EC961004CNA*	39,000	30,800	14.5	12.2	1,275	7517189
	CA*F4961*6D*	A*EC961205DNA*	39,000	30,800	14.5	12.2	1,400	7517190
	CA*F4961*6D*	A*VC80805C*B*	39,000	30,800	14.5	12.2	1,400	7517191
	CA*F4961*6D*	A*VC81005C*B*	39,000	30,800	14.5	12.2	1,370	7517192
	CA*F4961*6D*	A*VC960804CNA*	39,000	30,800	14.5	12.2	1,385	7517193
	CA*F4961*6D*	A*VC961005CNA*	39,000	30,800	14.5	12.2	1,300	7517194
	CA*F4961*6D*	A*VC961205DNA*	39,000	30,800	14.5	12.2	1,450	7517195
	CA*F4961*6D*	A*VM970804CNA*	39,000	30,800	14.5	12.2	1,430	7517196
	CA*F4961*6D*	A*VM971005CNA*	39,000	30,800	14.5	12.2	1,300	7517197
	CA*F4961*6D*	A*VM971205DNA*	39,000	30,800	14.5	12.2	1,300	7517198
	CA*F4961*6D*	G*E80805C*B*	39,000	30,800	14.5	12.2	1,425	7517199
	CA*F4961*6D*	G*E80805D*A*	39,000	30,800	14.5	12.2	1,425	7517200
	CA*F4961*6D*	G*E81005C*B*	39,000	30,800	14.5	12.2	1,425	7517201
	CA*F4961*6D*	G*EC961004CNA*	39,000	30,800	14.5	12.2	1,275	7517202
	CA*F4961*6D*	G*EC961205DNA*	39,000	30,800	14.5	12.2	1,400	7517203
	CA*F4961*6D*	G*VC80805C*B*	39,000	30,800	14.5	12.2	1,400	7517204
	CA*F4961*6D*	G*VC81005C*B*	39,000	30,800	14.5	12.2	1,370	7517205
	CA*F4961*6D*	G*VC960804CNA*	39,000	30,800	14.5	12.2	1,385	7517206
	CA*F4961*6D*	G*VC961005CNA*	39,000	30,800	14.5	12.2	1,300	7517207
	CA*F4961*6D*	G*VC961205DNA*	39,000	30,800	14.5	12.2	1,450	7517208
	CA*F4961*6D*	G*VM970804CNA*	39,000	30,800	14.5	12.2	1,430	7517209
	CA*F4961*6D*	G*VM971005CNA*	39,000	30,800	14.5	12.2	1,300	7517210
	CA*F4961*6D*	G*VM971205DNA*	39,000	30,800	14.5	12.2	1,300	7517211
	CA*F4961*6D*+EHP		39,000	30,800	14.0	12.2	1,400	7517162
	CA*F4961*6D*+EHP+TXV		39,000	30,800	14.0	12.2	1,400	7517163
	CA*F4961*6D*+MBVC1600**-.1A*		39,000	30,800	14.5	12.2	1,300	7517164
	CA*F4961*6D*+MBVC2000**-.1A*		39,000	30,800	14.5	12.2	1,300	7517165
	CA*F4961*6D*+TXV	A*EC961004CNA*	39,000	30,800	14.5	12.2	1,275	7517166
	CA*F4961*6D*+TXV	A*EC961205DNA*	39,000	30,800	14.5	12.2	1,400	7517167
	CA*F4961*6D*+TXV	A*VC80805C*B*	39,000	30,800	14.5	12.2	1,400	7517168
	CA*F4961*6D*+TXV	A*VC81005C*B*	39,000	30,800	14.5	12.2	1,370	7517169
	CA*F4961*6D*+TXV	A*VC960804CNA*	39,000	30,800	14.5	12.2	1,385	7517170
	CA*F4961*6D*+TXV	A*VC961005CNA*	39,000	30,800	14.5	12.2	1,300	7517171
	CA*F4961*6D*+TXV	A*VC961205DNA*	39,000	30,800	14.5	12.2	1,450	7517172
	CA*F4961*6D*+TXV	A*VM970804CNA*	39,000	30,800	14.5	12.2	1,430	7517173
	CA*F4961*6D*+TXV	A*VM971005CNA*	39,000	30,800	14.5	12.2	1,300	7517174
	CA*F4961*6D*+TXV	A*VM971205DNA*	39,000	30,800	14.5	12.2	1,300	7517175
	CA*F4961*6D*+TXV	G*E80805C*B*	39,000	30,800	14.5	12.2	1,425	7517176
	CA*F4961*6D*+TXV	G*E80805D*A*	39,000	30,800	14.5	12.2	1,425	7517177
	CA*F4961*6D*+TXV	G*E81005C*B*	39,000	30,800	14.5	12.2	1,425	7517178
	CA*F4961*6D*+TXV	G*EC961004CNA*	39,000	30,800	14.5	12.2	1,275	7517179
	CA*F4961*6D*+TXV	G*EC961205DNA*	39,000	30,800	14.5	12.2	1,400	7517180
CA*F4961*6D*+TXV	G*VC80805C*B*	39,000	30,800	14.5	12.2	1,400	7517181	
CA*F4961*6D*+TXV	G*VC81005C*B*	39,000	30,800	14.5	12.2	1,370	7517182	
CA*F4961*6D*+TXV	G*VC960804CNA*	39,000	30,800	14.5	12.2	1,385	7517183	
CA*F4961*6D*+TXV	G*VC961005CNA*	39,000	30,800	14.5	12.2	1,300	7517184	
CA*F4961*6D*+TXV	G*VC961205DNA*	39,000	30,800	14.5	12.2	1,450	7517185	

See Notes on Page 71.

OUTDOOR UNIT	INDOOR UNITS		COOLING RATINGS				CFM	AHRI #
	COILS/AIR HANDLERS	FURNACES	TOTAL ¹	SENS. ¹	SEER ²	EER ³		
GSX14 0421K* (cont.)	CA*F4961*6D*+TXV	G*VM970804CNA*	39,000	30,800	14.5	12.2	1,430	7517186
	CA*F4961*6D*+TXV	G*VM971005CNA*	39,000	30,800	14.5	12.2	1,300	7517187
	CA*F4961*6D*+TXV	G*VM971205DNA*	39,000	30,800	14.5	12.2	1,300	7517188
	CAPT4961*4A*	A*VC80805C*B*	39,000	30,800	14.5	11.5	1,425	7517215
	CAPT4961*4A*	A*VC81005C*B*	39,000	30,800	14.5	11.5	1,370	7517216
	CAPT4961*4A*	A*VC960804CNA*	39,000	30,800	14.5	11.5	1,385	7517217
	CAPT4961*4A*	A*VC961005CNA*	39,000	30,800	14.5	11.5	1,300	7517218
	CAPT4961*4A*	A*VC961205DNA*	39,000	30,800	14.5	11.5	1,450	7517219
	CAPT4961*4A*	A*VM970804CNA*	39,000	30,800	14.5	11.5	1,430	7517220
	CAPT4961*4A*	A*VM971005CNA*	39,000	30,800	14.5	11.5	1,300	7517221
	CAPT4961*4A*	A*VM971205DNA*	39,000	30,800	14.5	11.5	1,300	7517222
	CAPT4961*4A*	G*E80805C*B*	39,000	30,800	14.5	11.5	1,425	7517223
	CAPT4961*4A*	G*E81005C*B*	39,000	30,800	14.5	11.5	1,425	7517224
	CAPT4961*4A*	G*VC80805C*B*	39,000	30,800	14.5	11.5	1,425	7517225
	CAPT4961*4A*	G*VC81005C*B*	39,000	30,800	14.5	11.5	1,370	7517226
	CAPT4961*4A*	G*VC960804CNA*	39,000	30,800	14.5	11.5	1,385	7517227
	CAPT4961*4A*	G*VC961005CNA*	39,000	30,800	14.5	11.5	1,300	7517228
	CAPT4961*4A*	G*VC961205DNA*	39,000	30,800	14.5	11.5	1,450	7517229
	CAPT4961*4A*	G*VM970804CNA*	39,000	30,800	14.5	11.5	1,430	7517230
	CAPT4961*4A*	G*VM971005CNA*	39,000	30,800	14.5	11.5	1,300	7517231
	CAPT4961*4A*	G*VM971205DNA*	39,000	30,800	14.5	11.5	1,300	7517232
	CAPT4961*4A*+EEP		39,000	30,800	14.0	11.5	1,275	7517212
	CAPT4961*4A*+MBVC1600**-1A*		39,000	30,800	14.5	12.2	1,300	7517213
	CAPT4961*4A*+MBVC2000**-1A*		39,000	30,800	14.5	12.2	1,300	7517214
	CHPF4860D6D*	A*EC961004CNA*	38,000	30,000	14.5	12.2	1,275	7517254
	CHPF4860D6D*	A*EC961205DNA*	38,000	30,000	14.5	12.2	1,400	7517255
	CHPF4860D6D*	A*VC80805C*B*	38,000	30,000	14.5	12.2	1,400	7517256
	CHPF4860D6D*	A*VC81005C*B*	38,000	30,000	14.5	12.2	1,370	7517257
	CHPF4860D6D*	A*VC960804CNA*	38,000	30,000	14.5	12.2	1,385	7517258
	CHPF4860D6D*	A*VC961005CNA*	38,000	30,000	14.5	12.2	1,300	7517259
	CHPF4860D6D*	A*VM971005CNA*	38,000	30,000	14.5	12.2	1,300	7517260
	CHPF4860D6D*	A*VM971205DNA*	38,000	30,000	14.5	12.2	1,300	7517261
	CHPF4860D6D*	G*E80805C*B*	38,000	30,000	14.5	12.2	1,425	7517262
	CHPF4860D6D*	G*E80805D*A*	38,000	30,000	14.5	12.2	1,425	7517263
	CHPF4860D6D*	G*E81005C*B*	38,000	30,000	14.5	12.2	1,425	7517264
	CHPF4860D6D*	G*EC961004CNA*	38,000	30,000	14.5	12.2	1,275	7517265
	CHPF4860D6D*	G*EC961205DNA*	38,000	30,000	14.5	12.2	1,400	7517266
	CHPF4860D6D*	G*VC80805C*B*	38,000	30,000	14.5	12.2	1,400	7517267
	CHPF4860D6D*	G*VC81005C*B*	38,000	30,000	14.5	12.2	1,370	7517268
	CHPF4860D6D*	G*VC960804CNA*	38,000	30,000	14.5	12.2	1,385	7517269
	CHPF4860D6D*	G*VC961005CNA*	38,000	30,000	14.5	12.2	1,300	7517270
	CHPF4860D6D*	G*VM971005CNA*	38,000	30,000	14.5	12.2	1,300	7517271
	CHPF4860D6D*	G*VM971205DNA*	38,000	30,000	14.5	12.2	1,300	7517272
	CHPF4860D6D*	A*VC961205DNA*	38,000	30,000	14.5	12.2	1,425	7520343
	CHPF4860D6D*	A*VM970804CNA*	38,000	30,000	14.5	12.2	1,425	7520344
	CHPF4860D6D*	G*VC961205DNA*	38,000	30,000	14.5	12.2	1,425	7520345
	CHPF4860D6D*	G*VM970804CNA*	38,000	30,000	14.5	12.2	1,425	7520346
	CHPF4860D6D*+EEP		38,000	30,000	14.0	12.0	1,425	7520337
CHPF4860D6D*+EEP+TXV		38,000	30,000	14.0	12.2	1,425	7520338	
CHPF4860D6D*+MBVC1600**-1A*		38,000	30,000	14.5	12.2	1,400	7517233	
CHPF4860D6D*+MBVC2000**-1A*		38,000	30,000	14.5	12.2	1,400	7517234	
CHPF4860D6D*+TXV	A*EC961004CNA*	38,000	30,000	14.5	12.2	1,275	7517235	
CHPF4860D6D*+TXV	A*EC961205DNA*	38,000	30,000	14.5	12.2	1,400	7517236	

See Notes on Page 71.

OUTDOOR UNIT	INDOOR UNITS		COOLING RATINGS				CFM	AHRI #
	COILS/AIR HANDLERS	FURNACES	TOTAL ¹	SENS. ¹	SEER ²	EER ³		
GSX14 0421K* (cont.)	CHPF4860D6D*+TXV	A*VC80805C*B*	38,000	30,000	14.5	12.2	1,400	7517237
	CHPF4860D6D*+TXV	A*VC81005C*B*	38,000	30,000	14.5	12.2	1,370	7517238
	CHPF4860D6D*+TXV	A*VC960804CNA*	38,000	30,000	14.5	12.2	1,385	7517239
	CHPF4860D6D*+TXV	A*VC961005CNA*	38,000	30,000	14.5	12.2	1,300	7517240
	CHPF4860D6D*+TXV	A*VM971005CNA*	38,000	30,000	14.5	12.2	1,300	7517241
	CHPF4860D6D*+TXV	A*VM971205DNA*	38,000	30,000	14.5	12.2	1,300	7517242
	CHPF4860D6D*+TXV	G*E80805C*B*	38,000	30,000	14.5	12.2	1,425	7517243
	CHPF4860D6D*+TXV	G*E80805D*A*	38,000	30,000	14.5	12.2	1,425	7517244
	CHPF4860D6D*+TXV	G*E81005C*B*	38,000	30,000	14.5	12.2	1,425	7517245
	CHPF4860D6D*+TXV	G*EC961004CNA*	38,000	30,000	14.5	12.2	1,275	7517246
	CHPF4860D6D*+TXV	G*EC961205DNA*	38,000	30,000	14.5	12.2	1,400	7517247
	CHPF4860D6D*+TXV	G*VC80805C*B*	38,000	30,000	14.5	12.2	1,400	7517248
	CHPF4860D6D*+TXV	G*VC81005C*B*	38,000	30,000	14.5	12.2	1,370	7517249
	CHPF4860D6D*+TXV	G*VC960804CNA*	38,000	30,000	14.5	12.2	1,385	7517250
	CHPF4860D6D*+TXV	G*VC961005CNA*	38,000	30,000	14.5	12.2	1,300	7517251
	CHPF4860D6D*+TXV	G*VM971005CNA*	38,000	30,000	14.5	12.2	1,300	7517252
	CHPF4860D6D*+TXV	G*VM971205DNA*	38,000	30,000	14.5	12.2	1,300	7517253
	CHPF4860D6D*+TXV	A*VC961205DNA*	38,000	30,000	14.5	12.2	1,425	7520339
	CHPF4860D6D*+TXV	A*VM970804CNA*	38,000	30,000	14.5	12.2	1,425	7520340
	CHPF4860D6D*+TXV	G*VC961205DNA*	38,000	30,000	14.5	12.2	1,425	7520341
	CHPF4860D6D*+TXV	G*VM970804CNA*	38,000	30,000	14.5	12.2	1,425	7520342
	CSCF4860N6D*	A*EC961004CNA*	38,000	30,000	14.5	12.2	1,275	7517292
	CSCF4860N6D*	A*EC961205DNA*	38,000	30,000	14.5	12.2	1,400	7517293
	CSCF4860N6D*	A*VC80805C*B*	38,000	30,000	14.5	11.5	1,400	7517294
	CSCF4860N6D*	A*VC81005C*B*	38,000	30,000	14.5	11.5	1,370	7517295
	CSCF4860N6D*	A*VC960804CNA*	38,000	30,000	14.5	11.5	1,385	7517296
	CSCF4860N6D*	A*VC961005CNA*	38,000	30,000	14.5	11.5	1,300	7517297
	CSCF4860N6D*	A*VM971005CNA*	38,000	30,000	14.5	11.5	1,300	7517298
	CSCF4860N6D*	A*VM971205DNA*	38,000	30,000	14.5	11.5	1,300	7517299
	CSCF4860N6D*	G*E80805C*B*	38,000	30,000	14.5	11.5	1,425	7517300
	CSCF4860N6D*	G*E80805D*A*	38,000	30,000	14.5	11.5	1,425	7517301
	CSCF4860N6D*	G*E81005C*B*	38,000	30,000	14.5	11.5	1,425	7517302
	CSCF4860N6D*	G*EC961004CNA*	38,000	30,000	14.5	12.2	1,275	7517303
	CSCF4860N6D*	G*EC961205DNA*	38,000	30,000	14.5	12.2	1,400	7517304
	CSCF4860N6D*	G*VC80805C*B*	38,000	30,000	14.5	11.5	1,400	7517305
	CSCF4860N6D*	G*VC81005C*B*	38,000	30,000	14.5	11.5	1,370	7517306
	CSCF4860N6D*	G*VC960804CNA*	38,000	30,000	14.5	11.5	1,385	7517307
	CSCF4860N6D*	G*VC961005CNA*	38,000	30,000	14.5	11.5	1,300	7517308
	CSCF4860N6D*	G*VM971005CNA*	38,000	30,000	14.5	11.5	1,300	7517309
	CSCF4860N6D*	G*VM971205DNA*	38,000	30,000	14.5	11.5	1,300	7517310
	CSCF4860N6D*	A*VC961205DNA*	38,000	30,000	14.5	11.5	1,425	7520353
	CSCF4860N6D*	A*VM970804CNA*	38,000	30,000	14.5	11.5	1,425	7520354
	CSCF4860N6D*	G*VC961205DNA*	38,000	30,000	14.5	11.5	1,425	7520355
	CSCF4860N6D*	G*VM970804CNA*	38,000	30,000	14.5	11.5	1,425	7520356
	CSCF4860N6D*+EEP		38,000	30,000	14.0	11.5	1,425	7520347
	CSCF4860N6D*+EEP+TXV		38,000	30,000	14.0	11.5	1,425	7520348
	CSCF4860N6D*+TXV	A*EC961004CNA*	38,000	30,000	14.5	12.2	1,275	7517273
	CSCF4860N6D*+TXV	A*EC961205DNA*	38,000	30,000	14.5	12.2	1,400	7517274
CSCF4860N6D*+TXV	A*VC80805C*B*	38,000	30,000	14.5	11.5	1,400	7517275	
CSCF4860N6D*+TXV	A*VC81005C*B*	38,000	30,000	14.5	11.5	1,370	7517276	
CSCF4860N6D*+TXV	A*VC960804CNA*	38,000	30,000	14.5	11.5	1,385	7517277	
CSCF4860N6D*+TXV	A*VC961005CNA*	38,000	30,000	14.5	11.5	1,300	7517278	
CSCF4860N6D*+TXV	A*VM971005CNA*	38,000	30,000	14.5	11.5	1,300	7517279	

See Notes on Page 71.

OUTDOOR UNIT	INDOOR UNITS		COOLING RATINGS				CFM	AHRI #
	COILS/AIR HANDLERS	FURNACES	TOTAL ¹	SENS. ¹	SEER ²	EER ³		
GSX14 0421K* (cont.)	CSCF4860N6D*+TXV	A*VM971205DNA*	38,000	30,000	14.5	11.5	1,300	7517280
	CSCF4860N6D*+TXV	G*E80805C*B*	38,000	30,000	14.5	11.5	1,425	7517281
	CSCF4860N6D*+TXV	G*E80805D*A*	38,000	30,000	14.5	11.5	1,425	7517282
	CSCF4860N6D*+TXV	G*E81005C*B*	38,000	30,000	14.5	11.5	1,425	7517283
	CSCF4860N6D*+TXV	G*EC961004CNA*	38,000	30,000	14.5	12.2	1,275	7517284
	CSCF4860N6D*+TXV	G*EC961205DNA*	38,000	30,000	14.5	12.2	1,400	7517285
	CSCF4860N6D*+TXV	G*VC80805C*B*	38,000	30,000	14.5	11.5	1,400	7517286
	CSCF4860N6D*+TXV	G*VC81005C*B*	38,000	30,000	14.5	11.5	1,370	7517287
	CSCF4860N6D*+TXV	G*VC960804CNA*	38,000	30,000	14.5	11.5	1,385	7517288
	CSCF4860N6D*+TXV	G*VC961005CNA*	38,000	30,000	14.5	11.5	1,300	7517289
	CSCF4860N6D*+TXV	G*VM971005CNA*	38,000	30,000	14.5	11.5	1,300	7517290
	CSCF4860N6D*+TXV	G*VM971205DNA*	38,000	30,000	14.5	11.5	1,300	7517291
	CSCF4860N6D*+TXV	A*VC961205DNA*	38,000	30,000	14.5	11.5	1,425	7520349
	CSCF4860N6D*+TXV	A*VM970804CNA*	38,000	30,000	14.5	11.5	1,425	7520350
	CSCF4860N6D*+TXV	G*VC961205DNA*	38,000	30,000	14.5	11.5	1,425	7520351
CSCF4860N6D*+TXV	G*VM970804CNA*	38,000	30,000	14.5	11.5	1,425	7520352	
GSX14 0431K*	ASPT47D14A*		38,000	30,000	14.5	12.2	1,250	8242119
	ASPT48D14A*		38,000	30,000	15.0	12.5	1,385	8082398
	ASPT49D14A*		39,000	30,800	14.5	12.2	1,425	8242071
	ASPT59C14A*		38,000	30,000	14.0	12.2	1,260	8242070
	ASPT60D14A*		38,000	30,000	15.0	12.5	1,385	8082399
	AVPTC48D14A*		38,000	30,000	15.0	12.5	1,310	8082400
	CA*F4961*6D*	G*E80805C*B*	39,000	30,800	14.5	12.2	1,425	8082410
	CA*F4961*6D*	G*E80805D*A*	39,000	30,800	14.5	12.2	1,425	8082414
	CA*F4961*6D*	G*E81005C*B*	39,000	30,800	14.5	12.2	1,425	8082418
	CA*F4961*6D*	G*VC80805C*B*	39,000	30,800	14.5	12.2	1,400	8082422
	CA*F4961*6D*	G*VC81005C*B*	39,000	30,800	14.5	12.2	1,370	8082426
	CA*F4961*6D*	A*VC80805C*B*	39,000	30,800	14.5	12.2	1,400	8082430
	CA*F4961*6D*	A*VC81005C*B*	39,000	30,800	14.5	12.2	1,370	8082434
	CA*F4961*6D*	G*VC960804CNA*	39,000	30,800	14.5	12.2	1,385	8082438
	CA*F4961*6D*	G*VC961005CNA*	39,000	30,800	14.5	12.2	1,300	8082442
	CA*F4961*6D*	G*VC961205DNA*	39,000	30,800	14.5	12.2	1,450	8082446
	CA*F4961*6D*	A*VC960804CNA*	39,000	30,800	14.5	12.2	1,385	8082450
	CA*F4961*6D*	A*VC961005CNA*	39,000	30,800	14.5	12.2	1,300	8082454
	CA*F4961*6D*	A*VC961205DNA*	39,000	30,800	14.5	12.2	1,450	8082458
	CA*F4961*6D*	G*VM970804CNA*	39,000	30,800	14.5	12.2	1,430	8082462
	CA*F4961*6D*	G*VM971005CNA*	39,000	30,800	14.5	12.2	1,300	8082466
	CA*F4961*6D*	G*VM971205DNA*	39,000	30,800	14.5	12.2	1,300	8082470
	CA*F4961*6D*	A*VM970804CNA*	39,000	30,800	14.5	12.2	1,430	8082474
	CA*F4961*6D*	A*VM971005CNA*	39,000	30,800	14.5	12.2	1,300	8082478
	CA*F4961*6D*	A*VM971205DNA*	39,000	30,800	14.5	12.2	1,300	8082482
	CA*F4961*6D*	G*EC961004CNA*	39,000	30,800	14.5	12.2	1,275	8082486
	CA*F4961*6D*	G*EC961205DNA*	39,000	30,800	14.5	12.2	1,400	8082492
	CA*F4961*6D*	A*EC961004CNA*	39,000	30,800	14.5	12.2	1,275	8082498
	CA*F4961*6D*	A*EC961205DNA*	39,000	30,800	14.5	12.2	1,400	8082504
	CA*F4961*6D*+EEP		39,000	30,800	14.0	12.2	1,400	8082401
	CA*F4961*6D*+EEP+TXV		39,000	30,800	14.0	12.2	1,400	8082402
	CA*F4961*6D*+MBVC1600*-1A*		39,000	30,800	14.5	12.2	1,300	8082403
CA*F4961*6D*+MBVC2000*-1A*		39,000	30,800	14.5	12.2	1,300	8082404	
CA*F4961*6D*+TXV	G*E80805C*B*	39,000	30,800	14.5	12.2	1,425	8082411	
CA*F4961*6D*+TXV	G*E80805D*A*	39,000	30,800	14.5	12.2	1,425	8082415	
CA*F4961*6D*+TXV	G*E81005C*B*	39,000	30,800	14.5	12.2	1,425	8082419	
CA*F4961*6D*+TXV	G*VC80805C*B*	39,000	30,800	14.5	12.2	1,400	8082423	

See Notes on Page 71.

AHRI RATINGS (CONT.)

OUTDOOR UNIT	INDOOR UNITS		COOLING RATINGS				CFM	AHRI #
	COILS/AIR HANDLERS	FURNACES	TOTAL ¹	SENS. ¹	SEER ²	EER ³		
GSX14 0431K* (cont.)	CA*F4961*6D*+TXV	G*VC81005C*B*	39,000	30,800	14.5	12.2	1,370	8082427
	CA*F4961*6D*+TXV	A*VC80805C*B*	39,000	30,800	14.5	12.2	1,400	8082431
	CA*F4961*6D*+TXV	A*VC81005C*B*	39,000	30,800	14.5	12.2	1,370	8082435
	CA*F4961*6D*+TXV	G*VC960804CNA*	39,000	30,800	14.5	12.2	1,385	8082439
	CA*F4961*6D*+TXV	G*VC961005CNA*	39,000	30,800	14.5	12.2	1,300	8082443
	CA*F4961*6D*+TXV	G*VC961205DNA*	39,000	30,800	14.5	12.2	1,450	8082447
	CA*F4961*6D*+TXV	A*VC960804CNA*	39,000	30,800	14.5	12.2	1,385	8082451
	CA*F4961*6D*+TXV	A*VC961005CNA*	39,000	30,800	14.5	12.2	1,300	8082455
	CA*F4961*6D*+TXV	A*VC961205DNA*	39,000	30,800	14.5	12.2	1,450	8082459
	CA*F4961*6D*+TXV	G*VM970804CNA*	39,000	30,800	14.5	12.2	1,430	8082463
	CA*F4961*6D*+TXV	G*VM971005CNA*	39,000	30,800	14.5	12.2	1,300	8082467
	CA*F4961*6D*+TXV	G*VM971205DNA*	39,000	30,800	14.5	12.2	1,300	8082471
	CA*F4961*6D*+TXV	A*VM970804CNA*	39,000	30,800	14.5	12.2	1,430	8082475
	CA*F4961*6D*+TXV	A*VM971005CNA*	39,000	30,800	14.5	12.2	1,300	8082479
	CA*F4961*6D*+TXV	A*VM971205DNA*	39,000	30,800	14.5	12.2	1,300	8082483
	CA*F4961*6D*+TXV	G*EC961004CNA*	39,000	30,800	14.5	12.2	1,275	8082487
	CA*F4961*6D*+TXV	G*EC961205DNA*	39,000	30,800	14.5	12.2	1,400	8082493
	CA*F4961*6D*+TXV	A*EC961004CNA*	39,000	30,800	14.5	12.2	1,275	8082499
	CA*F4961*6D*+TXV	A*EC961205DNA*	39,000	30,800	14.5	12.2	1,400	8082505
	CAPT4961*4A*+MBVC1600**-.1A*		39,000	30,800	14.5	12.2	1,300	8082405
	CAPT4961*4A*+MBVC2000**-.1A*		39,000	30,800	14.5	12.2	1,300	8082406
	CHPF4860D6D*	G*E80805C*B*	38,000	30,000	14.5	12.2	1,425	8082412
	CHPF4860D6D*	G*E80805D*A*	38,000	30,000	14.5	12.2	1,425	8082416
	CHPF4860D6D*	G*E81005C*B*	38,000	30,000	14.5	12.2	1,425	8082420
	CHPF4860D6D*	G*VC80805C*B*	38,000	30,000	14.5	12.2	1,400	8082424
	CHPF4860D6D*	G*VC81005C*B*	38,000	30,000	14.5	12.2	1,370	8082428
	CHPF4860D6D*	A*VC80805C*B*	38,000	30,000	14.5	12.2	1,400	8082432
	CHPF4860D6D*	A*VC81005C*B*	38,000	30,000	14.5	12.2	1,370	8082436
	CHPF4860D6D*	G*VC960804CNA*	38,000	30,000	14.5	12.2	1,385	8082440
	CHPF4860D6D*	G*VC961005CNA*	38,000	30,000	14.5	12.2	1,300	8082444
	CHPF4860D6D*	G*VC961205DNA*	38,000	30,000	14.5	12.2	1,425	8082448
	CHPF4860D6D*	A*VC960804CNA*	38,000	30,000	14.5	12.2	1,385	8082452
	CHPF4860D6D*	A*VC961005CNA*	38,000	30,000	14.5	12.2	1,300	8082456
	CHPF4860D6D*	A*VC961205DNA*	38,000	30,000	14.5	12.2	1,425	8082460
	CHPF4860D6D*	G*VM970804CNA*	38,000	30,000	14.5	12.2	1,425	8082464
	CHPF4860D6D*	G*VM971005CNA*	38,000	30,000	14.5	12.2	1,300	8082468
	CHPF4860D6D*	G*VM971205DNA*	38,000	30,000	14.5	12.2	1,300	8082472
	CHPF4860D6D*	A*VM970804CNA*	38,000	30,000	14.5	12.2	1,425	8082476
	CHPF4860D6D*	A*VM971005CNA*	38,000	30,000	14.5	12.2	1,300	8082480
	CHPF4860D6D*	A*VM971205DNA*	38,000	30,000	14.5	12.2	1,300	8082484
	CHPF4860D6D*	G*EC961004CNA*	38,000	30,000	14.5	12.2	1,275	8082488
	CHPF4860D6D*	G*EC961205DNA*	38,000	30,000	14.5	12.2	1,400	8082494
	CHPF4860D6D*	A*EC961004CNA*	38,000	30,000	14.5	12.2	1,275	8082500
	CHPF4860D6D*	A*EC961205DNA*	38,000	30,000	14.5	12.2	1,400	8082506
	CHPF4860D6D*+EEP+TXV		38,000	30,000	14.0	12.2	1,425	8082407
	CHPF4860D6D*+MBVC1600**-.1A*		38,000	30,000	14.5	12.2	1,400	8082408
	CHPF4860D6D*+MBVC2000**-.1A*		38,000	30,000	14.5	12.2	1,400	8082409
	CHPF4860D6D*+TXV	G*E80805C*B*	38,000	30,000	14.5	12.2	1,425	8082413
	CHPF4860D6D*+TXV	G*E80805D*A*	38,000	30,000	14.5	12.2	1,425	8082417
	CHPF4860D6D*+TXV	G*E81005C*B*	38,000	30,000	14.5	12.2	1,425	8082421
CHPF4860D6D*+TXV	G*VC80805C*B*	38,000	30,000	14.5	12.2	1,400	8082425	
CHPF4860D6D*+TXV	G*VC81005C*B*	38,000	30,000	14.5	12.2	1,370	8082429	
CHPF4860D6D*+TXV	A*VC80805C*B*	38,000	30,000	14.5	12.2	1,400	8082433	

See Notes on Page 71.

OUTDOOR UNIT	INDOOR UNITS		COOLING RATINGS				CFM	AHRI #
	COILS/AIR HANDLERS	FURNACES	TOTAL ¹	SENS. ¹	SEER ²	EER ³		
GSX14 0431K* (cont.)	CHPF4860D6D*+TXV	A*VC81005C*B*	38,000	30,000	14.5	12.2	1,370	8082437
	CHPF4860D6D*+TXV	G*VC960804CNA*	38,000	30,000	14.5	12.2	1,385	8082441
	CHPF4860D6D*+TXV	G*VC961005CNA*	38,000	30,000	14.5	12.2	1,300	8082445
	CHPF4860D6D*+TXV	G*VC961205DNA*	38,000	30,000	14.5	12.2	1,425	8082449
	CHPF4860D6D*+TXV	A*VC960804CNA*	38,000	30,000	14.5	12.2	1,385	8082453
	CHPF4860D6D*+TXV	A*VC961005CNA*	38,000	30,000	14.5	12.2	1,300	8082457
	CHPF4860D6D*+TXV	A*VC961205DNA*	38,000	30,000	14.5	12.2	1,425	8082461
	CHPF4860D6D*+TXV	G*VM970804CNA*	38,000	30,000	14.5	12.2	1,425	8082465
	CHPF4860D6D*+TXV	G*VM971005CNA*	38,000	30,000	14.5	12.2	1,300	8082469
	CHPF4860D6D*+TXV	G*VM971205DNA*	38,000	30,000	14.5	12.2	1,300	8082473
	CHPF4860D6D*+TXV	A*VM970804CNA*	38,000	30,000	14.5	12.2	1,425	8082477
	CHPF4860D6D*+TXV	A*VM971005CNA*	38,000	30,000	14.5	12.2	1,300	8082481
	CHPF4860D6D*+TXV	A*VM971205DNA*	38,000	30,000	14.5	12.2	1,300	8082485
	CHPF4860D6D*+TXV	G*EC961004CNA*	38,000	30,000	14.5	12.2	1,275	8082489
	CHPF4860D6D*+TXV	G*EC961205DNA*	38,000	30,000	14.5	12.2	1,400	8082495
	CHPF4860D6D*+TXV	A*EC961004CNA*	38,000	30,000	14.5	12.2	1,275	8082501
	CHPF4860D6D*+TXV	A*EC961205DNA*	38,000	30,000	14.5	12.2	1,400	8082507
	CSCF4860N6D*	G*EC961004CNA*	38,000	30,000	14.5	12.2	1,275	8082490
	CSCF4860N6D*	G*EC961205DNA*	38,000	30,000	14.5	12.2	1,400	8082496
	CSCF4860N6D*	A*EC961004CNA*	38,000	30,000	14.5	12.2	1,275	8082502
CSCF4860N6D*	A*EC961205DNA*	38,000	30,000	14.5	12.2	1,400	8082508	
CSCF4860N6D*+TXV	G*EC961004CNA*	38,000	30,000	14.5	12.2	1,275	8082491	
CSCF4860N6D*+TXV	G*EC961205DNA*	38,000	30,000	14.5	12.2	1,400	8082497	
CSCF4860N6D*+TXV	A*EC961004CNA*	38,000	30,000	14.5	12.2	1,275	8082503	
CSCF4860N6D*+TXV	A*EC961205DNA*	38,000	30,000	14.5	12.2	1,400	8082509	
GSX14 0481K*	ARUF61D14A*		45,500	32,200	14.0	11.7	1,520	7984200
	ASPT48D14A*		46,000	32,600	14.5	11.7	1,600	7517311
	ASPT59C14A*		45,500	32,200	14.0	12.0	1,430	8242072
	ASPT60D14A*		46,000	32,600	14.5	11.7	1,600	7517312
	ASPT61D14A*		47,000	33,200	14.5	12.2	1,630	8242073
	AVPTC48D14A*		46,000	32,600	14.5	11.7	1,550	7517313
	AVPTC60D14A*		46,000	32,600	14.5	11.7	1,590	7517314
	CA*F4860*6D*	A*VC960804CNA*	45,000	31,800	14.5	11.7	1,385	7517340
	CA*F4860*6D*	A*VC961005CNA*	45,500	32,200	14.5	11.7	1,450	7517341
	CA*F4860*6D*	A*VC961205DNA*	45,500	32,200	14.5	11.7	1,450	7517342
	CA*F4860*6D*	A*VM970804CNA*	45,000	31,800	14.5	11.7	1,385	7517343
	CA*F4860*6D*	A*VM971005CNA*	45,500	32,200	14.5	11.7	1,450	7517344
	CA*F4860*6D*	A*VM971205DNA*	45,500	32,200	14.5	11.7	1,450	7517345
	CA*F4860*6D*	G*VC960804CNA*	45,000	31,800	14.5	11.7	1,385	7517346
	CA*F4860*6D*	G*VC961005CNA*	45,500	32,200	14.5	11.7	1,450	7517347
	CA*F4860*6D*	G*VC961205DNA*	45,500	32,200	14.5	11.7	1,450	7517348
	CA*F4860*6D*	G*VM970804CNA*	45,000	31,800	14.5	11.7	1,385	7517349
	CA*F4860*6D*	G*VM971005CNA*	45,500	32,200	14.5	11.7	1,450	7517350
	CA*F4860*6D*	G*VM971205DNA*	45,500	32,200	14.5	11.7	1,450	7517351
	CA*F4860*6D*+EEP		45,500	32,200	14.0	11.7	1,550	7517315
	CA*F4860*6D*+EEP+TXV		45,500	32,200	14.0	11.7	1,550	7517316
	CA*F4860*6D*+MBVC2000*-1A*+TXV		46,000	32,600	14.5	12.0	1,600	7517317
	CA*F4860*6D*+TXV	A*EC961004CNA*	45,000	31,800	14.5	11.7	1,525	7517318
	CA*F4860*6D*+TXV	A*EC961205DNA*	45,000	31,800	14.5	12.0	1,525	7517319
	CA*F4860*6D*+TXV	A*VC80805C*B*	45,500	32,200	14.5	11.7	1,510	7517320
	CA*F4860*6D*+TXV	A*VC81005C*B*	45,500	32,200	14.5	11.7	1,530	7517321
	CA*F4860*6D*+TXV	A*VC960804CNA*	45,000	31,800	14.5	12.0	1,385	7517322
	CA*F4860*6D*+TXV	A*VC961005CNA*	45,500	32,200	14.5	12.0	1,450	7517323
	CA*F4860*6D*+TXV	A*VC961205DNA*	45,500	32,200	14.5	12.0	1,450	7517324
	CA*F4860*6D*+TXV	A*VM970804CNA*	45,000	31,800	14.5	12.0	1,385	7517325
	CA*F4860*6D*+TXV	A*VM971005CNA*	45,500	32,200	14.5	12.0	1,450	7517326

See Notes on Page 71.

AHRI RATINGS (CONT.)

OUTDOOR UNIT	INDOOR UNITS		COOLING RATINGS				CFM	AHRI #
	COILS/AIR HANDLERS	FURNACES	TOTAL ¹	SENS. ¹	SEER ²	EER ³		
GSX14 0481K* (cont.)	CA*F4860*6D*+TXV	A*VM971205DNA*	45,500	32,200	14.5	12.0	1,450	7517327
	CA*F4860*6D*+TXV	G*E80805C*B*	45,000	31,800	14.5	11.7	1,480	7517328
	CA*F4860*6D*+TXV	G*E81005C*B*	45,500	32,200	14.5	11.7	1,570	7517329
	CA*F4860*6D*+TXV	G*EC961004CNA*	45,000	31,800	14.5	11.7	1,525	7517330
	CA*F4860*6D*+TXV	G*EC961205DNA*	45,000	31,800	14.5	12.0	1,525	7517331
	CA*F4860*6D*+TXV	G*VC80805C*B*	45,500	32,200	14.5	11.7	1,510	7517332
	CA*F4860*6D*+TXV	G*VC81005C*B*	45,500	32,200	14.5	11.7	1,530	7517333
	CA*F4860*6D*+TXV	G*VC960804CNA*	45,000	31,800	14.5	12.0	1,385	7517334
	CA*F4860*6D*+TXV	G*VC961005CNA*	45,500	32,200	14.5	12.0	1,450	7517335
	CA*F4860*6D*+TXV	G*VC961205DNA*	45,500	32,200	14.5	12.0	1,450	7517336
	CA*F4860*6D*+TXV	G*VM970804CNA*	45,000	31,800	14.5	12.0	1,385	7517337
	CA*F4860*6D*+TXV	G*VM971005CNA*	45,500	32,200	14.5	12.0	1,450	7517338
	CA*F4860*6D*+TXV	G*VM971205DNA*	45,500	32,200	14.5	12.0	1,450	7517339
	CA*F4961*6D*+EEP		46,000	32,600	14.0	11.7	1,550	7517352
	CA*F4961*6D*+EEP+TXV		46,000	32,600	14.0	11.7	1,550	7517353
	CA*F4961*6D*+MBVC2000*-1A*+TXV		46,000	32,600	14.5	12.0	1,600	7517354
	CAPT4961*4A*	A*EC961004CNA*	45,000	31,800	14.5	11.7	1,525	7517356
	CAPT4961*4A*	A*EC961205DNA*	45,000	31,800	14.5	12.0	1,525	7517357
	CAPT4961*4A*	A*VC80805C*B*	45,500	32,200	14.5	11.7	1,510	7517358
	CAPT4961*4A*	A*VC81005C*B*	45,500	32,200	14.5	11.7	1,530	7517359
	CAPT4961*4A*	A*VC960804CNA*	45,000	31,800	14.5	11.7	1,385	7517360
	CAPT4961*4A*	A*VC961005CNA*	45,500	32,200	14.5	11.7	1,450	7517361
	CAPT4961*4A*	A*VC961205DNA*	45,500	32,200	14.5	11.7	1,450	7517362
	CAPT4961*4A*	A*VM970804CNA*	45,000	31,800	14.5	11.7	1,385	7517363
	CAPT4961*4A*	A*VM971005CNA*	45,500	32,200	14.5	11.7	1,450	7517364
	CAPT4961*4A*	A*VM971205DNA*	45,500	32,200	14.5	11.7	1,450	7517365
	CAPT4961*4A*	G*E80805C*B*	45,000	31,800	14.5	11.7	1,480	7517366
	CAPT4961*4A*	G*E81005C*B*	45,500	32,200	14.5	11.7	1,570	7517367
	CAPT4961*4A*	G*EC961004CNA*	45,000	31,800	14.5	11.7	1,525	7517368
	CAPT4961*4A*	G*EC961205DNA*	45,000	31,800	14.5	12.0	1,525	7517369
	CAPT4961*4A*	G*VC80805C*B*	45,500	32,200	14.5	11.7	1,510	7517370
	CAPT4961*4A*	G*VC81005C*B*	45,500	32,200	14.5	11.7	1,530	7517371
	CAPT4961*4A*	G*VC960804CNA*	45,000	31,800	14.5	11.7	1,385	7517372
	CAPT4961*4A*	G*VC961005CNA*	45,500	32,200	14.5	11.7	1,450	7517373
	CAPT4961*4A*	G*VC961205DNA*	45,500	32,200	14.5	11.7	1,450	7517374
	CAPT4961*4A*	G*VM970804CNA*	45,000	31,800	14.5	11.7	1,385	7517375
	CAPT4961*4A*	G*VM971005CNA*	45,500	32,200	14.5	11.7	1,450	7517376
	CAPT4961*4A*	G*VM971205DNA*	45,500	32,200	14.5	11.7	1,450	7517377
	CAPT4961*4A*+EEP		46,000	32,600	14.0	11.7	1,550	7517355
	CAPT4961*4A*+MBVC2000*-1A*		45,000	31,800	14.5	11.7	1,595	7517378
	CHPF4860D6D*	A*VC960804CNA*	45,000	31,800	14.5	11.7	1,385	7517404
	CHPF4860D6D*	A*VC961005CNA*	45,500	32,200	14.5	11.7	1,450	7517405
	CHPF4860D6D*	A*VC961205DNA*	45,500	32,200	14.5	11.7	1,450	7517406
	CHPF4860D6D*	A*VM970804CNA*	45,000	31,800	14.5	11.7	1,385	7517407
	CHPF4860D6D*	A*VM971005CNA*	45,500	32,200	14.5	11.7	1,450	7517408
	CHPF4860D6D*	A*VM971205DNA*	45,500	32,200	14.5	11.7	1,450	7517409
	CHPF4860D6D*	G*VC960804CNA*	45,000	31,800	14.5	11.7	1,385	7517410
	CHPF4860D6D*	G*VC961005CNA*	45,500	32,200	14.5	11.7	1,450	7517411
CHPF4860D6D*	G*VC961205DNA*	45,500	32,200	14.5	11.7	1,450	7517412	
CHPF4860D6D*	G*VM970804CNA*	45,000	31,800	14.5	11.7	1,385	7517413	
CHPF4860D6D*	G*VM971005CNA*	45,500	32,200	14.5	11.7	1,450	7517414	
CHPF4860D6D*	G*VM971205DNA*	45,500	32,200	14.5	11.7	1,450	7517415	
CHPF4860D6D*+EEP		46,000	32,600	14.0	11.7	1,550	7517379	
CHPF4860D6D*+EEP+TXV		46,000	32,600	14.0	11.7	1,550	7517380	

See Notes on Page 71.

OUTDOOR UNIT	INDOOR UNITS		COOLING RATINGS				CFM	AHRI #
	COILS/AIR HANDLERS	FURNACES	TOTAL ¹	SENS. ¹	SEER ²	EER ³		
GSX14 0481K* (cont.)	CHPF4860D6D*+MBVC2000**-1A*+TXV		46,000	32,600	14.5	12.0	1,600	7517381
	CHPF4860D6D*+TXV	A*EC961004CNA*	45,000	31,800	14.5	11.7	1,525	7517382
	CHPF4860D6D*+TXV	A*EC961205DNA*	45,000	31,800	14.5	12.0	1,525	7517383
	CHPF4860D6D*+TXV	A*VC80805C*B*	45,500	32,200	14.5	11.7	1,510	7517384
	CHPF4860D6D*+TXV	A*VC81005C*B*	45,500	32,200	14.5	11.7	1,530	7517385
	CHPF4860D6D*+TXV	A*VC960804CNA*	45,000	31,800	14.5	12.0	1,385	7517386
	CHPF4860D6D*+TXV	A*VC961005CNA*	45,500	32,200	14.5	12.0	1,450	7517387
	CHPF4860D6D*+TXV	A*VC961205DNA*	45,500	32,200	14.5	12.0	1,450	7517388
	CHPF4860D6D*+TXV	A*VM970804CNA*	45,000	31,800	14.5	12.0	1,385	7517389
	CHPF4860D6D*+TXV	A*VM971005CNA*	45,500	32,200	14.5	12.0	1,450	7517390
	CHPF4860D6D*+TXV	A*VM971205DNA*	45,500	32,200	14.5	12.0	1,450	7517391
	CHPF4860D6D*+TXV	G*E80805C*B*	45,000	31,800	14.5	11.7	1,480	7517392
	CHPF4860D6D*+TXV	G*E81005C*B*	45,500	32,200	14.5	11.7	1,570	7517393
	CHPF4860D6D*+TXV	G*EC961004CNA*	45,000	31,800	14.5	11.7	1,525	7517394
	CHPF4860D6D*+TXV	G*EC961205DNA*	45,000	31,800	14.5	12.0	1,525	7517395
	CHPF4860D6D*+TXV	G*VC80805C*B*	45,500	32,200	14.5	11.7	1,510	7517396
	CHPF4860D6D*+TXV	G*VC81005C*B*	45,500	32,200	14.5	11.7	1,530	7517397
	CHPF4860D6D*+TXV	G*VC960804CNA*	45,000	31,800	14.5	12.0	1,385	7517398
	CHPF4860D6D*+TXV	G*VC961005CNA*	45,500	32,200	14.5	12.0	1,450	7517399
	CHPF4860D6D*+TXV	G*VC961205DNA*	45,500	32,200	14.5	12.0	1,450	7517400
	CHPF4860D6D*+TXV	G*VM970804CNA*	45,000	31,800	14.5	12.0	1,385	7517401
	CHPF4860D6D*+TXV	G*VM971005CNA*	45,500	32,200	14.5	12.0	1,450	7517402
	CHPF4860D6D*+TXV	G*VM971205DNA*	45,500	32,200	14.5	12.0	1,450	7517403
	CSCF4860N6D*	A*VC960804CNA*	45,000	31,800	14.5	11.7	1,385	7517436
	CSCF4860N6D*	A*VC961005CNA*	45,500	32,200	14.5	11.7	1,450	7517437
	CSCF4860N6D*	A*VC961205DNA*	45,500	32,200	14.5	11.7	1,450	7517438
	CSCF4860N6D*	A*VM970804CNA*	45,000	31,800	14.5	11.7	1,385	7517439
	CSCF4860N6D*	A*VM971005CNA*	45,500	32,200	14.5	11.7	1,450	7517440
	CSCF4860N6D*	A*VM971205DNA*	45,500	32,200	14.5	11.7	1,450	7517441
	CSCF4860N6D*	G*VC960804CNA*	45,000	31,800	14.5	11.7	1,385	7517442
	CSCF4860N6D*	G*VC961005CNA*	45,500	32,200	14.5	11.7	1,450	7517443
	CSCF4860N6D*	G*VC961205DNA*	45,500	32,200	14.5	11.7	1,450	7517444
	CSCF4860N6D*	G*VM970804CNA*	45,000	31,800	14.5	11.7	1,385	7517445
	CSCF4860N6D*	G*VM971005CNA*	45,500	32,200	14.5	11.7	1,450	7517446
	CSCF4860N6D*	G*VM971205DNA*	45,500	32,200	14.5	11.7	1,450	7517447
	CSCF4860N6D*+EEP		45,500	32,200	14.0	11.7	1,550	7517416
	CSCF4860N6D*+EEP+TXV		45,500	32,200	14.0	11.7	1,550	7517417
	CSCF4860N6D*+TXV	A*VC80805C*B*	45,500	32,200	14.5	11.7	1,510	7517418
	CSCF4860N6D*+TXV	A*VC81005C*B*	45,500	32,200	14.5	11.7	1,530	7517419
	CSCF4860N6D*+TXV	A*VC960804CNA*	45,000	31,800	14.5	12.0	1,385	7517420
	CSCF4860N6D*+TXV	A*VC961005CNA*	45,500	32,200	14.5	11.7	1,450	7517421
	CSCF4860N6D*+TXV	A*VC961205DNA*	45,500	32,200	14.5	11.7	1,450	7517422
	CSCF4860N6D*+TXV	A*VM970804CNA*	45,000	31,800	14.5	11.7	1,385	7517423
	CSCF4860N6D*+TXV	A*VM971005CNA*	45,500	32,200	14.5	11.7	1,450	7517424
	CSCF4860N6D*+TXV	A*VM971205DNA*	45,500	32,200	14.5	11.7	1,450	7517425
	CSCF4860N6D*+TXV	G*E80805C*B*	45,000	31,800	14.5	11.7	1,480	7517426
	CSCF4860N6D*+TXV	G*E81005C*B*	45,000	31,800	14.5	11.7	1,570	7517427
CSCF4860N6D*+TXV	G*VC80805C*B*	45,500	32,200	14.5	11.7	1,510	7517428	
CSCF4860N6D*+TXV	G*VC81005C*B*	45,500	32,200	14.5	11.7	1,530	7517429	
CSCF4860N6D*+TXV	G*VC960804CNA*	45,000	31,800	14.5	12.0	1,385	7517430	
CSCF4860N6D*+TXV	G*VC961005CNA*	45,500	32,200	14.5	11.7	1,450	7517431	
CSCF4860N6D*+TXV	G*VC961205DNA*	45,500	32,200	14.5	11.7	1,450	7517432	
CSCF4860N6D*+TXV	G*VM970804CNA*	45,000	31,800	14.5	11.7	1,385	7517433	
CSCF4860N6D*+TXV	G*VM971005CNA*	45,500	32,200	14.5	11.7	1,450	7517434	
CSCF4860N6D*+TXV	G*VM971205DNA*	45,500	32,200	14.5	11.7	1,450	7517435	

See Notes on Page 71.

AHRI RATINGS (CONT.)

OUTDOOR UNIT	INDOOR UNITS		COOLING RATINGS				CFM	AHRI #
	COILS/AIR HANDLERS	FURNACES	TOTAL ¹	SENS. ¹	SEER ²	EER ³		
GSX14 0601K*	ASPT60D14A*		57,000	40,000	14.0	11.7	1,620	7517448
	ASPT61D14A*		57,000	40,000	14.0	11.7	1,645	7984220
	AVPTC60D14A*		57,000	40,000	14.0	11.7	1,620	7517449
	CA*F4961*6D*	A*VC961205DNA*	56,500	40,000	14.0	11.7	1,575	7517469
	CA*F4961*6D*	A*VM971205DNA*	56,500	40,000	14.0	11.7	1,575	7517470
	CA*F4961*6D*	G*VC961205DNA*	56,500	40,000	14.0	11.7	1,575	7517471
	CA*F4961*6D*	G*VM971205DNA*	56,500	40,000	14.0	11.7	1,575	7517472
	CA*F4961*6D*+EEP+TXV		57,000	40,000	14.0	11.7	1,545	7517450
	CA*F4961*6D*+MBVC2000**-1A*+TXV		57,000	40,000	14.5	12.0	1,620	7517451
	CA*F4961*6D*+TXV	A*EC961205DNA*	57,000	40,000	14.0	11.7	1,525	7517452
	CA*F4961*6D*+TXV	A*VC80805C*B*	57,000	40,000	14.5	11.7	1,560	7517453
	CA*F4961*6D*+TXV	A*VC81005C*B*	57,000	40,000	14.5	11.7	1,525	7517454
	CA*F4961*6D*+TXV	A*VC961005CNA*	57,000	40,000	14.0	11.7	1,525	7517455
	CA*F4961*6D*+TXV	A*VC961205DNA*	57,000	40,000	14.5	12.0	1,575	7517456
	CA*F4961*6D*+TXV	A*VM971005CNA*	57,000	40,000	14.0	11.7	1,525	7517457
	CA*F4961*6D*+TXV	A*VM971205DNA*	57,000	40,000	14.5	12.0	1,575	7517458
	CA*F4961*6D*+TXV	G*E80805C*B*	57,000	40,000	14.5	11.7	1,525	7517459
	CA*F4961*6D*+TXV	G*E80805D*A*	57,000	40,000	14.5	12.0	1,500	7517460
	CA*F4961*6D*+TXV	G*E81005C*B*	57,000	40,000	14.5	11.7	1,600	7517461
	CA*F4961*6D*+TXV	G*EC961205DNA*	57,000	40,000	14.0	11.7	1,525	7517462
	CA*F4961*6D*+TXV	G*VC80805C*B*	57,000	40,000	14.5	11.7	1,560	7517463
	CA*F4961*6D*+TXV	G*VC81005C*B*	57,000	40,000	14.5	11.7	1,525	7517464
	CA*F4961*6D*+TXV	G*VC961005CNA*	57,000	40,000	14.0	11.7	1,525	7517465
	CA*F4961*6D*+TXV	G*VC961205DNA*	57,000	40,000	14.5	12.0	1,575	7517466
	CA*F4961*6D*+TXV	G*VM971005CNA*	57,000	40,000	14.0	11.7	1,525	7517467
	CA*F4961*6D*+TXV	G*VM971205DNA*	57,000	40,000	14.5	12.0	1,575	7517468
	CAPT4961*4A*	A*VC80805C*B*	57,000	40,000	14.0	11.7	1,560	7517474
	CAPT4961*4A*	A*VC81005C*B*	57,000	40,000	14.0	11.7	1,525	7517475
	CAPT4961*4A*	G*E80805C*B*	57,000	40,000	14.0	11.7	1,525	7517476
	CAPT4961*4A*	G*E80805D*A*	57,000	40,000	14.0	12.0	1,500	7517477
	CAPT4961*4A*	G*E81005C*B*	57,000	40,000	14.0	11.7	1,600	7517478
	CAPT4961*4A*	G*VC80805C*B*	57,000	40,000	14.0	11.7	1,560	7517479
	CAPT4961*4A*	G*VC81005C*B*	57,000	40,000	14.0	11.7	1,525	7517480
	CAPT4961*4A*	A*EC961205DNA*	56,500	40,000	14.0	11.7	1,525	7517481
	CAPT4961*4A*	A*VC961005CNA*	57,000	40,000	14.0	11.7	1,525	7517482
	CAPT4961*4A*	A*VC961205DNA*	56,500	40,000	14.0	11.7	1,575	7517483
	CAPT4961*4A*	A*VM971005CNA*	57,000	40,000	14.0	11.7	1,525	7517484
	CAPT4961*4A*	A*VM971205DNA*	56,500	40,000	14.0	11.7	1,575	7517485
	CAPT4961*4A*	G*EC961205DNA*	56,500	40,000	14.0	11.7	1,525	7517486
	CAPT4961*4A*	G*VC961005CNA*	57,000	40,000	14.0	11.7	1,525	7517487
	CAPT4961*4A*	G*VC961205DNA*	56,500	40,000	14.0	11.7	1,575	7517488
	CAPT4961*4A*	G*VM971005CNA*	57,000	40,000	14.0	11.7	1,525	7517489
	CAPT4961*4A*	G*VM971205DNA*	56,500	40,000	14.0	11.7	1,575	7517490
	CAPT4961*4A*+EEP		57,000	40,000	14.0	11.7	1,545	7517473
	CHPF4860D6D*	A*VC961205DNA*	56,500	40,000	14.0	11.7	1,575	7517510
	CHPF4860D6D*	A*VM971205DNA*	56,500	40,000	14.0	11.7	1,575	7517511
	CHPF4860D6D*	G*VC961205DNA*	56,500	40,000	14.0	11.7	1,575	7517512
	CHPF4860D6D*	G*VM971205DNA*	56,500	40,000	14.0	11.7	1,575	7517513
	CHPF4860D6D*+EEP+TXV		57,000	40,000	14.0	11.7	1,545	7517491
	CHPF4860D6D*+MBVC2000**-1A*+TXV		57,000	40,000	14.5	12.0	1,620	7517492
CHPF4860D6D*+TXV	A*EC961205DNA*	57,000	40,000	14.0	11.7	1,525	7517493	
CHPF4860D6D*+TXV	A*VC80805C*B*	57,000	40,000	14.5	11.7	1,560	7517494	
CHPF4860D6D*+TXV	A*VC81005C*B*	57,000	40,000	14.5	11.7	1,525	7517495	

See Notes on Page 71.

OUTDOOR UNIT	INDOOR UNITS		COOLING RATINGS				CFM	AHRI #
	COILS/AIR HANDLERS	FURNACES	TOTAL ¹	SENS. ¹	SEER ²	EER ³		
GSX14 0601K* (cont.)	CHPF4860D6D*+TXV	A*VC961005CNA*	57,000	40,000	14.0	11.7	1,525	7517496
	CHPF4860D6D*+TXV	A*VC961205DNA*	57,000	40,000	14.5	12.0	1,575	7517497
	CHPF4860D6D*+TXV	A*VM971005CNA*	57,000	40,000	14.0	11.7	1,525	7517498
	CHPF4860D6D*+TXV	A*VM971205DNA*	57,000	40,000	14.5	12.0	1,575	7517499
	CHPF4860D6D*+TXV	G*E80805C*B*	57,000	40,000	14.5	11.7	1,525	7517500
	CHPF4860D6D*+TXV	G*E80805D*A*	57,000	40,000	14.5	12.0	1,500	7517501
	CHPF4860D6D*+TXV	G*E81005C*B*	57,000	40,000	14.5	11.7	1,600	7517502
	CHPF4860D6D*+TXV	G*EC961205DNA*	57,000	40,000	14.0	11.7	1,525	7517503
	CHPF4860D6D*+TXV	G*VC80805C*B*	57,000	40,000	14.5	11.7	1,560	7517504
	CHPF4860D6D*+TXV	G*VC81005C*B*	57,000	40,000	14.5	11.7	1,525	7517505
	CHPF4860D6D*+TXV	G*VC961005CNA*	57,000	40,000	14.0	11.7	1,525	7517506
	CHPF4860D6D*+TXV	G*VC961205DNA*	57,000	40,000	14.5	12.0	1,575	7517507
	CHPF4860D6D*+TXV	G*VM971005CNA*	57,000	40,000	14.0	11.7	1,525	7517508
	CHPF4860D6D*+TXV	G*VM971205DNA*	57,000	40,000	14.5	12.0	1,575	7517509
	CSCF4860N6D*	A*VC961205DNA*	56,500	40,000	14.0	11.7	1,575	7517533
	CSCF4860N6D*	A*VM971205DNA*	56,500	40,000	14.0	11.7	1,575	7517534
	CSCF4860N6D*	G*VC961205DNA*	56,500	40,000	14.0	11.7	1,575	7517535
	CSCF4860N6D*	G*VM971205DNA*	56,500	40,000	14.0	11.7	1,575	7517536
	CSCF4860N6D*+EEP+TXV		57,000	40,000	14.0	11.7	1,545	7517514
	CSCF4860N6D*+MBVC2000*-1A*+TXV		57,000	40,000	14.5	12.0	1,620	7517515
	CSCF4860N6D*+TXV	A*EC961205DNA*	57,000	40,000	14.0	11.7	1,525	7517516
	CSCF4860N6D*+TXV	A*VC80805C*B*	57,000	40,000	14.5	11.7	1,560	7517517
	CSCF4860N6D*+TXV	A*VC81005C*B*	57,000	40,000	14.5	11.7	1,525	7517518
	CSCF4860N6D*+TXV	A*VC961005CNA*	57,000	40,000	14.0	11.7	1,525	7517519
	CSCF4860N6D*+TXV	A*VC961205DNA*	57,000	40,000	14.5	12.0	1,575	7517520
	CSCF4860N6D*+TXV	A*VM971005CNA*	57,000	40,000	14.0	11.7	1,525	7517521
	CSCF4860N6D*+TXV	A*VM971205DNA*	57,000	40,000	14.5	12.0	1,575	7517522
	CSCF4860N6D*+TXV	G*E80805C*B*	57,000	40,000	14.5	11.7	1,525	7517523
	CSCF4860N6D*+TXV	G*E80805D*A*	57,000	40,000	14.5	12.0	1,500	7517524
	CSCF4860N6D*+TXV	G*E81005C*B*	57,000	40,000	14.5	11.7	1,600	7517525
	CSCF4860N6D*+TXV	G*EC961205DNA*	57,000	40,000	14.0	11.7	1,525	7517526
	CSCF4860N6D*+TXV	G*VC80805C*B*	57,000	40,000	14.5	11.7	1,560	7517527
	CSCF4860N6D*+TXV	G*VC81005C*B*	57,000	40,000	14.5	11.7	1,525	7517528
CSCF4860N6D*+TXV	G*VC961005CNA*	57,000	40,000	14.0	11.7	1,525	7517529	
CSCF4860N6D*+TXV	G*VC961205DNA*	57,000	40,000	14.5	12.0	1,575	7517530	
CSCF4860N6D*+TXV	G*VM971005CNA*	57,000	40,000	14.0	11.7	1,525	7517531	
CSCF4860N6D*+TXV	G*VM971205DNA*	57,000	40,000	14.5	12.0	1,575	7517532	

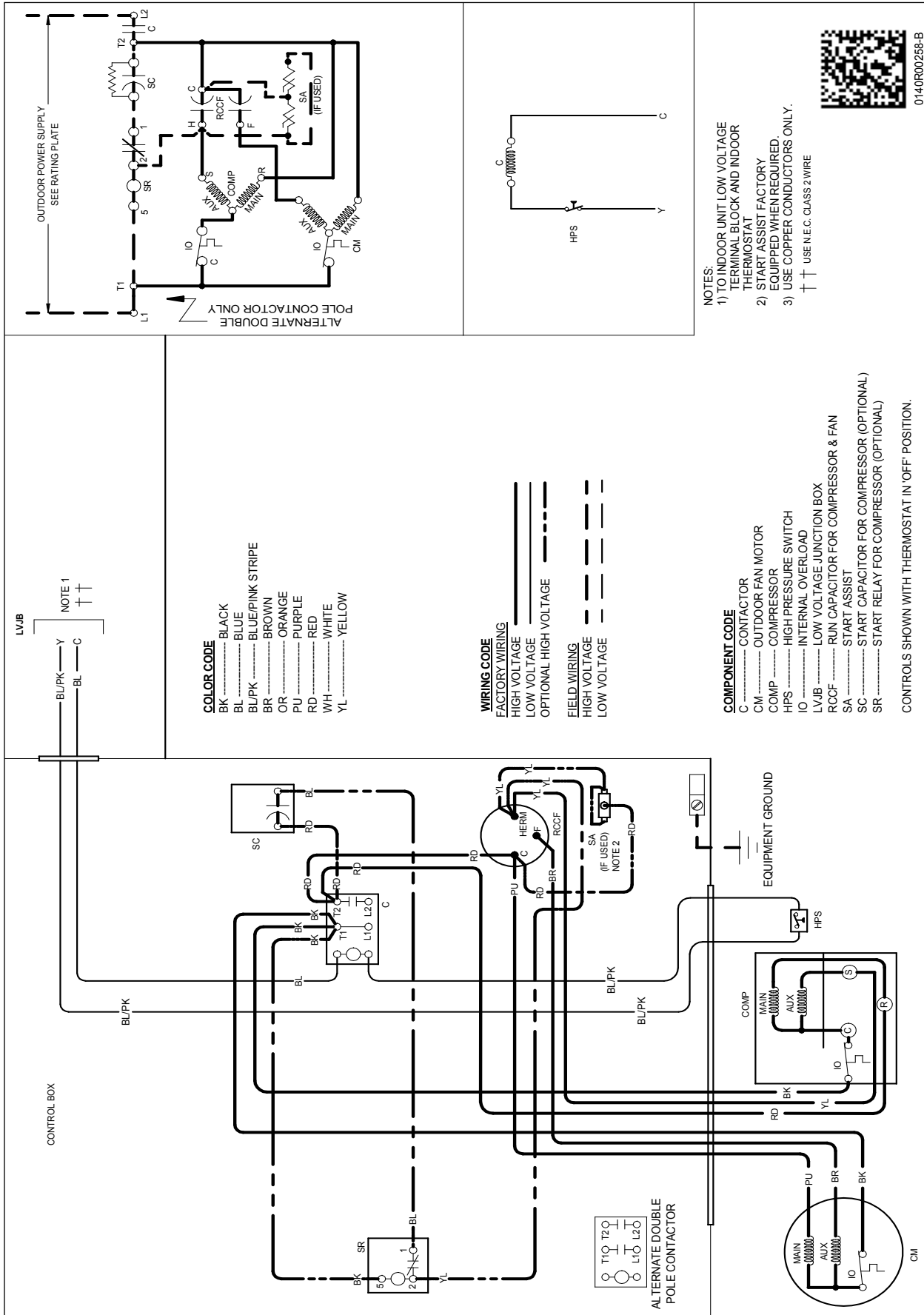
¹ BTU/h

² Seasonal Energy Efficiency Ratio; Certified per AHRI 210/240 @ 80°F/ 67°F/ 95°F

³ Energy Efficiency Ratio @ 80°F/ 67°F/ 95°F

NOTES

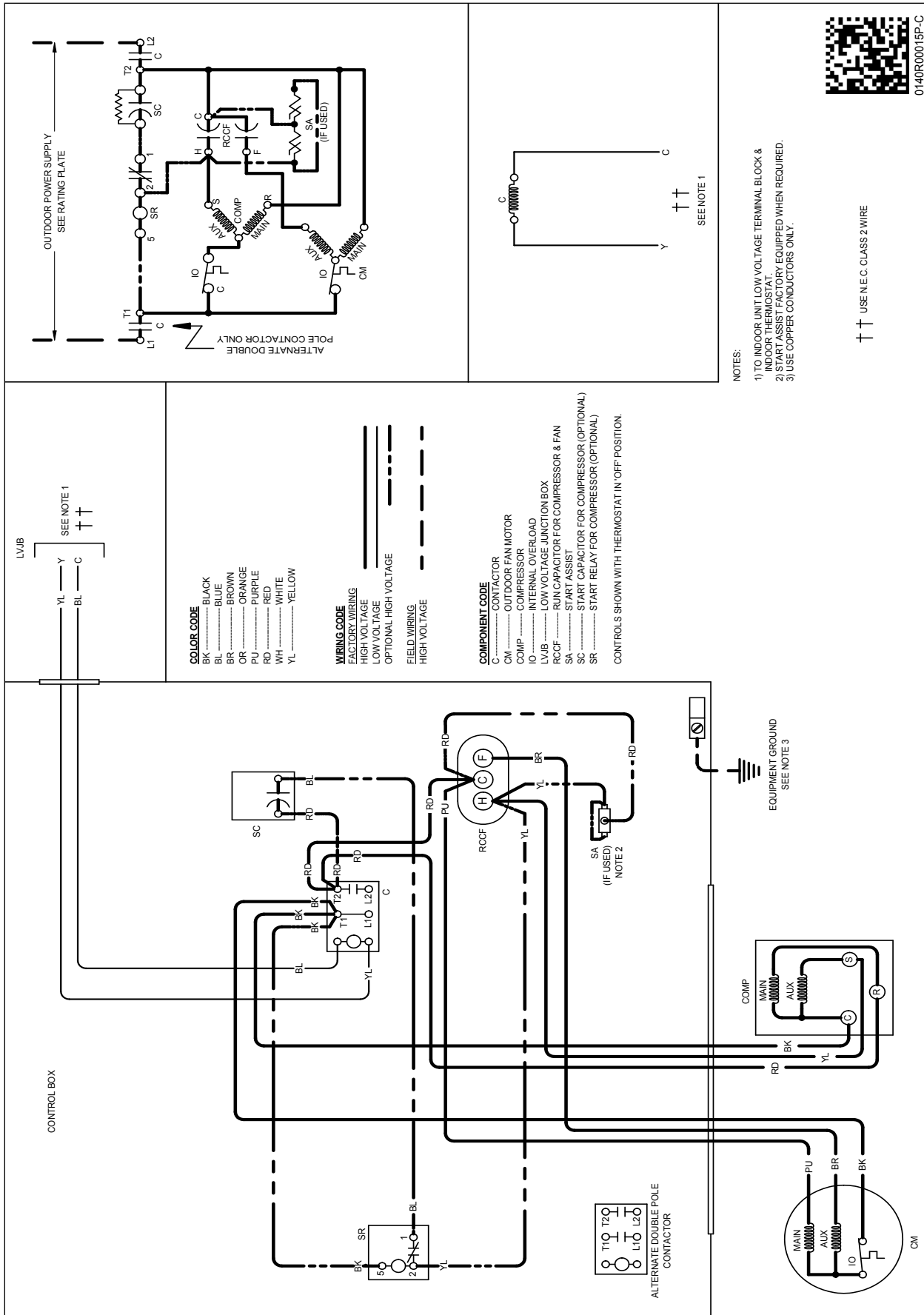
- Always check the S&R plate for electrical data on the unit being installed.
- When matching the outdoor unit to the indoor unit, use the piston supplied with the outdoor unit or that specified on the piston kit chart supplied with the indoor unit.
- EEP - Order from Service Dept. Part No. B13707-38 or new Solid State Board B13707-35S. Part No. B13707-38 is not interchangeable with B13707-35S. The Goodman Gas Furnace contains the EEP cooling time delay.
- HSK - Hard Start Kit: This is an additional capacitor to assist with compressor start-up, used with the standard "run" capacitor that is supplied in the unit. Order from a Goodman brand distributor or service department.



WARNING

High Voltage: Disconnect all power before servicing or installing this unit. Multiple power sources may be present. Failure to do so may cause property damage, personal injury, or death.

Wiring is subject to change. Always refer to the wiring diagram or the unit for the most up-to-date wiring.



COLOR CODE

BK BLACK
 BL BLUE
 BR BROWN
 CR ORANGE
 PU PURPLE
 RD RED
 WH WHITE
 YL YELLOW

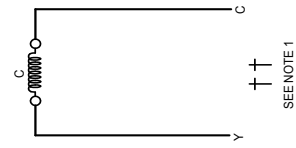
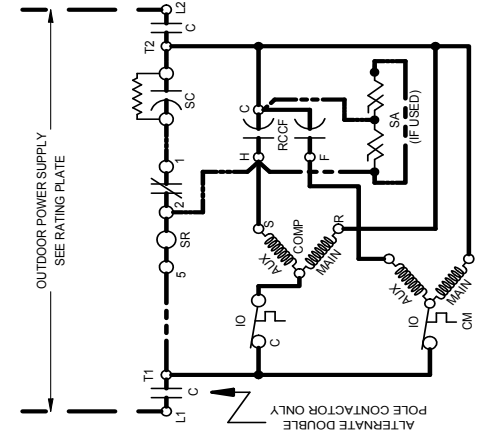
WIRING CODE

FACTORY WIRING
 HIGH VOLTAGE
 LOW VOLTAGE
 OPTIONAL HIGH VOLTAGE
 FIELD WIRING
 HIGH VOLTAGE

COMPONENT CODE

C CONTACTOR
 CM OUTDOOR FAN MOTOR
 COMP COMPRESSOR
 IO INTERNAL OVERLOAD
 LVJB LOW VOLTAGE JUNCTION BOX
 RCCF RUN CAPACITOR FOR COMPRESSOR & FAN
 SA START CAPACITOR FOR COMPRESSOR (OPTIONAL)
 SR START RELAY FOR COMPRESSOR (OPTIONAL)

CONTROLS SHOWN WITH THERMOSTAT IN 'OFF' POSITION



NOTES:

1) TO INDOOR UNIT LOW VOLTAGE TERMINAL BLOCK & INDOOR THERMOSTAT.
 2) START ASSIST FACTORY EQUIPPED WHEN REQUIRED.
 3) USE COPPER CONDUCTORS ONLY.



0140R00015P-C

++ USE N.E.C. CLASS 2 WIRE



WARNING

High Voltage: Disconnect all power before servicing or installing this unit. Multiple power sources may be present. Failure to do so may cause property damage, personal injury, or death.

Wiring is subject to change. Always refer to the wiring diagram or the unit for the most up-to-date wiring.

MODEL #	DESCRIPTION	GSX14 018/19**	GSX14 024/25**	GSX14 030/31**	GSX14 036/37**	GSX14 042/43**	GSX14 048**	GSX14 060**
ABK-20	Anchor Bracket Kit ^			X	X	X	X	X
ABK-21	Anchor Bracket Kit ^	X	X					
ASC-01	Anti-Short Cycle Kit	X	X	X	X	X	X	X
CSR-U-1	Hard-start Kit	X	X	X	X			
CSR-U-2	Hard-start Kit					X	X	X
CSR-U-3	Hard-start Kit						X	X
FSK01A ¹	Freeze Protection Kit	X	X	X	X	X	X	X
LSK02A ²	Liquid Line Solenoid Kit	X	X	X	X	X	X	X
LAKT01A	Low-Ambient Kit	X	X	X	X	X	X	X
0130R00000S	Low-Pressure Switch Kit	X	X	X	X	X	X	X
TX2N4 ²	TXV Kit	X						
TX2N4A ²	TXV Kit	X	X					
TX3N4 ²	TXV Kit			X	X			
TX5N4 ²	TXV Kit					X	X	X

^ Contains 20 brackets; four brackets needed to anchor unit to pad

¹ Installed on indoor coil

² Field-installed, non-bleed, expansion valve kit — Condensing units and heat pumps with reciprocating compressors require start-assist components when used in conjunction with an indoor coil using a non-bleed thermal expansion valve refrigerant metering device.

