

Quick Reference Parts Manual

WARNING:

For use by trained professional technicians only. Dangerous and hazardous conditions exist, similar to all air conditioners, which can cause property damage, serious injury or death.

Goodman Manufacturing Company, L.P.
2550 North Loop West, Suite 400
Houston, Texas 77092

This page left blank intentionally.

TABLE OF CONTENTS

CONDENSING UNITS/HEAT PUMPS/AIRHANDLERS/MINI SPLITS/THROUGH THE WALL UNITS

MODEL/SERIAL NUMBER IDENTIFICATION (CONDENSING UNITS/HEAT PUMPS)	2
MODEL/SERIAL NUMBER IDENTIFICATION (AIR HANDLERS)	3
WIRING DIAGRAMS (CONDENSING UNITS/HEAT PUMPS)	5
SYSTEM CHARGING (CONDENSING UNITS/HEAT PUMPS)	7
KEY COMPONENT PART NUMBERS (CONDENSING UNITS)	8
KEY COMPONENT PART NUMBERS (HEAT PUMPS)	12
KEY COMPONENT PART NUMBERS (AIR HANDLERS)	14
KEY COMPONENT PART NUMBERS (MINI SPLITS/THROUGH THE WALL UNITS)	22

GAS FURNACES

MODEL/SERIAL NUMBER IDENTIFICATION	24
WIRING DIAGRAMS	25
KEY COMPONENTS PART NUMBERS (80% EFFICIENCY)	30
KEY COMPONENTS PART NUMBERS (90% EFFICIENCY)	33

PACKAGED COOLING/HEAT PUMP/GAS

MODEL SERIAL NUMBER IDENTIFICATION (COOLING/HEAT PUMPS)	36
MODEL SERIAL NUMBER IDENTIFICATION (GAS)	37
WIRING DIAGRAMS	38
SYSTEM CHARGING	44
KEY COMPONENTS PART NUMBERS (COOLING)	45
KEY COMPONENTS PART NUMBERS (HEAT PUMPS)	48
KEY COMPONENTS PART NUMBERS (GAS)	50

PISTON KIT CHART

PISTON KIT PART NUMBERS	56
-------------------------------	----

CONDENSING UNITS/ HEAT PUMPS/ AIR HANDLERS

GoodPartssm

Quick Reference Parts Manual

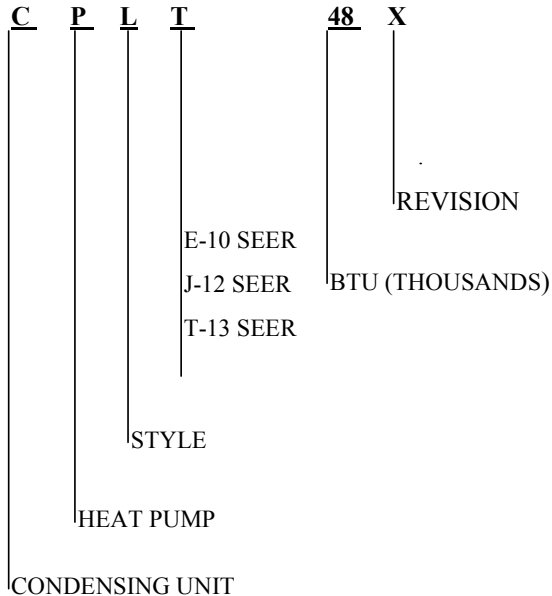
WARNING:

For use by trained professional technicians only. Dangerous and hazardous conditions exist, similar to all air conditioners, which can cause property damage, serious injury or death.

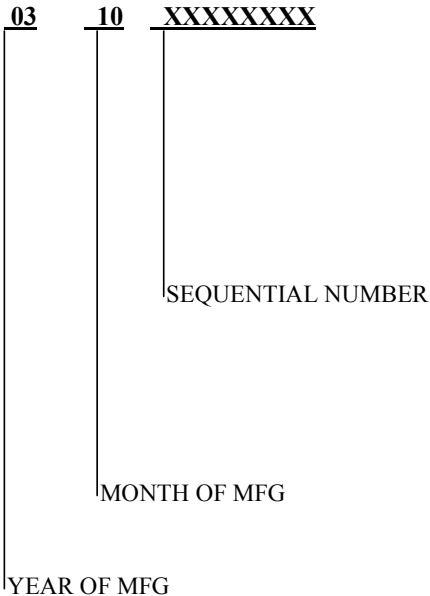
Goodman Manufacturing Company, L.P.

MODEL/SERIAL NUMBER IDENTIFICATION

MODEL NUMBER IDENTIFICATION



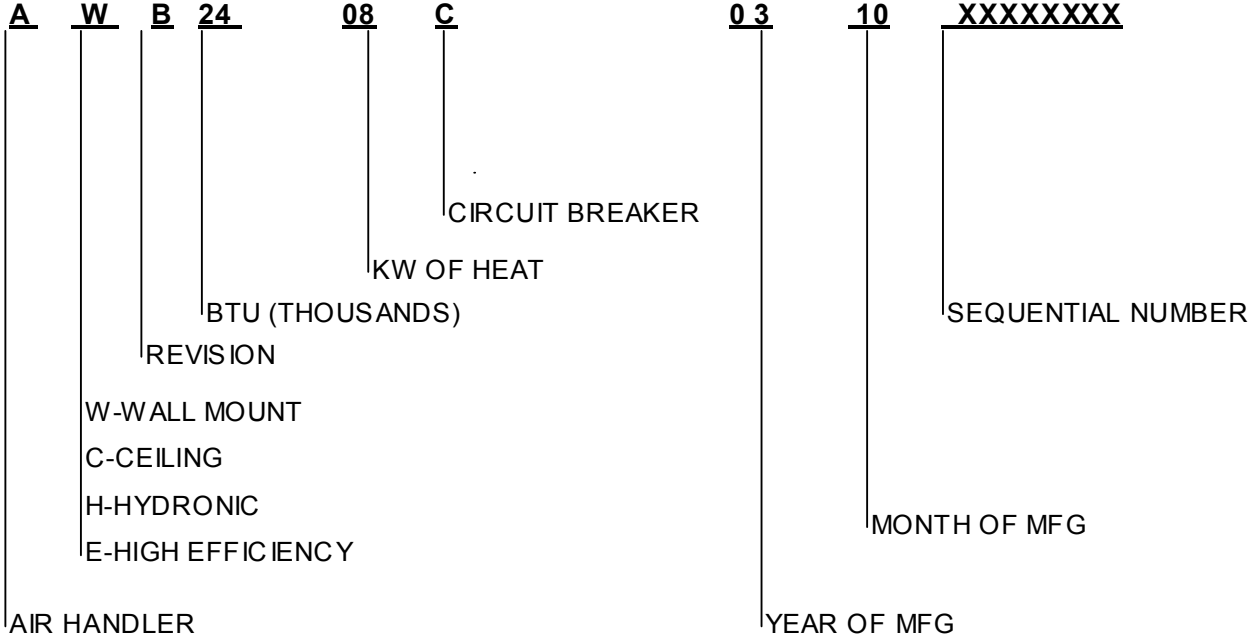
SERIAL NUMBER IDENTIFICATION



MODEL/SERIAL NUMBER IDENTIFICATION

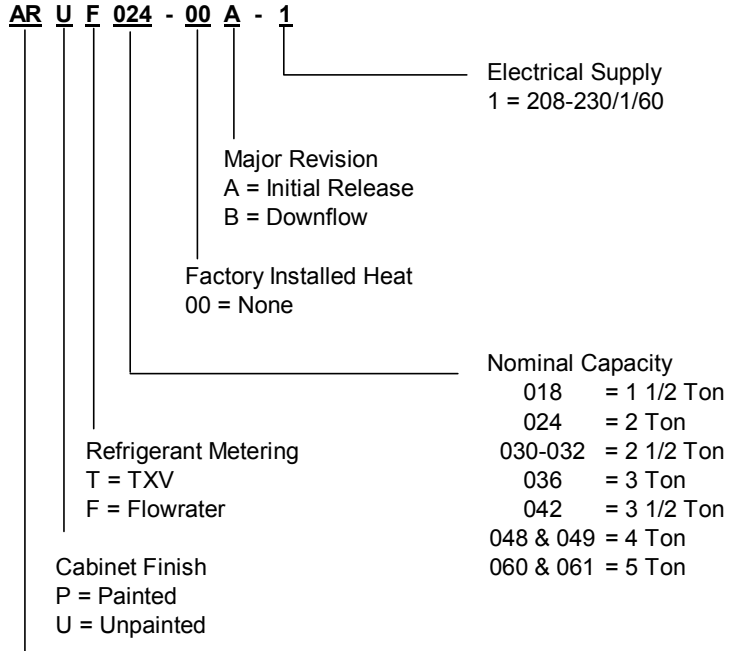
MODEL NUMBER IDENTIFICATION

SERIAL NUMBER IDENTIFICATION



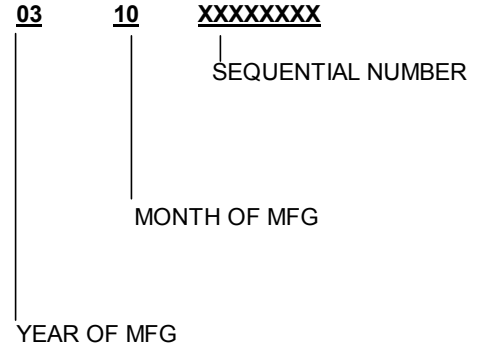
MODEL/SERIAL NUMBER IDENTIFICATION

MODEL NUMBER IDENTIFICATION

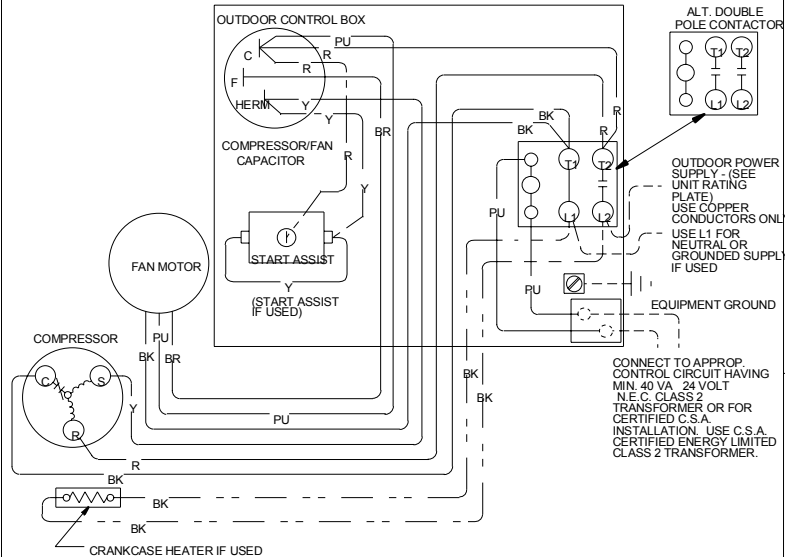


Model Series
 AE = Air Handler with ECM Motor
 AR = Air Handler with PSC Motor

SERIAL NUMBER IDENTIFICATION

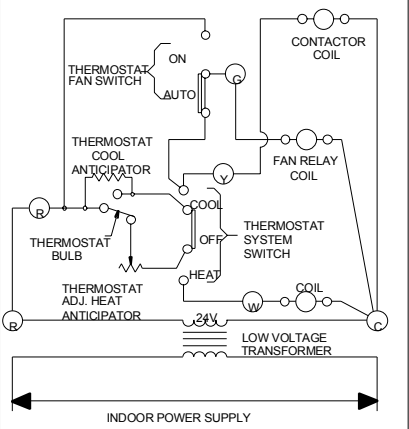
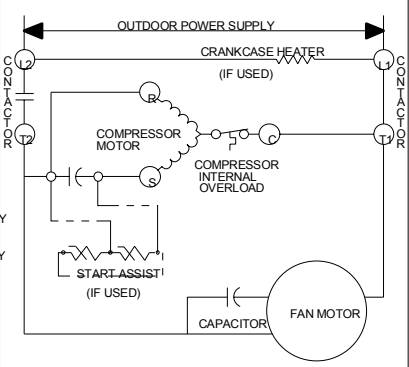


WIRING DIAGRAM FOR REMOTE CONDENSING UNITS (W/ OPTIONAL START ASSIST)

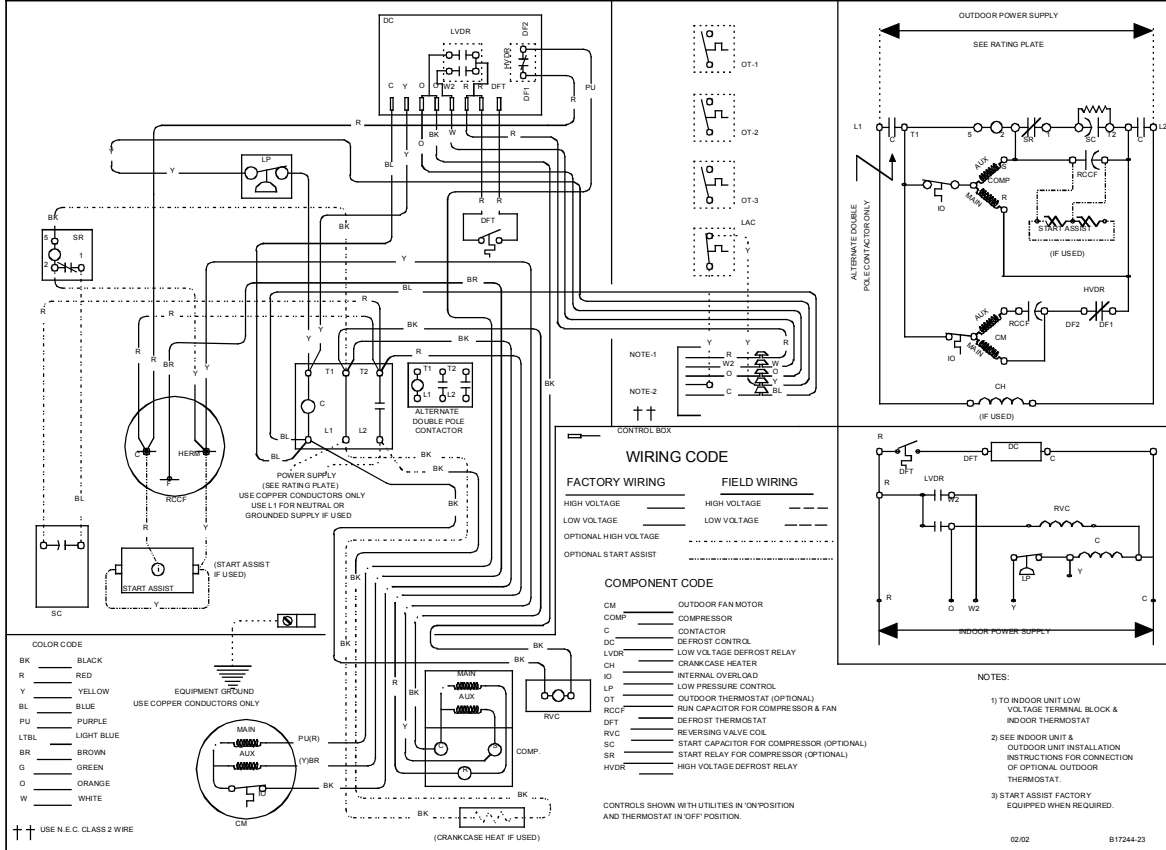


WIRING CODE	FACTORY WIRING	FIELD WIRING	WIRING FOR FACTORY OPTIONS
HIGH VOLTAGE	---	---	---
LOW VOLTAGE	---	---	---
WIRE NUT		⊗	
OPTIONAL START ASSIST		---	---

NOTES:
REPLACEMENT WIRE MUST BE SAME GAGE AND INSULATION THICKNESS.
105° C APPLIANCE WIRING MATERIAL.



WIRING DIAGRAM FOR REMOTE HEAT PUMPS



SYSTEM CHARGING-CONDENSING UNITS

All cooling units are to be charged by the superheat method

1. Read suction line pressure
2. Read suction line temperature
3. Determine superheat
 - A. Using refrigerant chart or table 1 below determine saturated liquid temperature for the suction pressure of the system
 - B. Refer to table 2 for required superheat.
 - C. Suction line temperature – saturated suction temperature = superheat.
4. Adjust charge : add refrigerant to lower superheat and decrease refrigerant to raise superheat.

TABLE 1

SUCTION PSIG	SAT TEMP
50	26
53	28
55	30
58	32
61	34
63	36
66	38
69	40
72	42
75	44
78	46
81	48

TABLE 2

AMBIENT TEMP (F)	RETURN AIR TEMPERATURE IN DEG F				
	65	70	75	80	85
100				5	5
95			5	5	5
90			7	12	18
85		5	10	17	20
80		5	12	21	26
75	5	10	17	25	29
70	5	14	20	28	32
65	13	19	26	32	35
60	17	25	30	33	37

SYSTEM CHECK FOR HEAT PUMP IN HEATING MODE

System must be running for 20 minutes before testing and 10 minutes between adjustments.

1. Read temperature of discharge line half way between compressor and reversing valve
 - A. Care should be taken to assure that reading is not affected by outside temperature.
2. Measure outdoor temperature
3. The temperature of the discharge line = outdoor temperature + 126 degree
4. Add refrigerant to lower temperature, decrease refrigerant to raise the temperature.

10 SEER CONDENSING UNIT

MODEL	TON	COMPRESSOR	COIL COND	CAPACITOR	MOTOR	DRYERS	CONTACT
CKL18-1C	1.5	B9266226	12621-01	B94576000	B13400251	B1219212	B1360315
CKL24-1H	2	B9266735	12621-02	B94576000	B13400251	B1219212	B1360315
CKL30-1F	2.5	B9266639A	12621-02	B94575300	B13400251	B1219212	B1360315
CKL36-1H	3	B9266351	12621-03	B94575500	B13400251	B1219212	B1360315
CKL36-3A	3	B9266386	12621-03	B9456650	B13400251	B1219212	B1360315
CKL42-1A	3.5	B9266841A	12621-05	B94577400	B13400251	B1219212	B1360315
CKL49-1	4	B9266672	12621-09	B94575600	B13400247	B1219225	B1360315
CKL49-3	4	B9266204A	12621-09	B9456650	B13400247	B1219225	B1360315
CKL60-1	5	B9266355	12621-10	B94577500	B13400247	B1219225	B1360315
CKL60-3	5	B9266353	12621-10	B9456650	B13400247	B1219225	B1360315
CKL60-4	5	B9266657	12621-10	B9456650	B13400269	B1219225	B1360315
CKL62-1	5	B9266359	1265637A	B94577500	B13400248	B1219225	B1360315

7.5 to 10 TON 10 SEER CONDENSING UNIT

MODEL	TON	COMPRESSOR	COIL COND	CAPACITOR	MOTOR	DRYERS	CONTACT
CKL090-3	7.5	B9266383	12621-16	B945673	B13400354	B1219228	B1360335
CKL090-4	7.5	B9266382	12621-16	B945673	B13400355	B1219228	B1360335
CKL120-3	10	B9266385	12621-17	B945673	B13400354	B1219228	B1360335
CKL120-4	10	B9266384	12621-17	B945673	B13400355	B1219228	B1360335

10 SEER SPLIT SYSTEM HEAT PUMPS

MODEL	TON	COMPRESSOR	COIL COND	CAPACITOR	MOTOR
CPLE18-1A	1.5	B9266600A	12622-01	B94578700	B13400251
CPLE24-1A	2	B9266834A	12622-05	B94578700	B13400251
CPLE30-1	2.5	B9266843A	12622-07	B94575300	B13400251
CPLE36-1	3	B9266835A	12622-10	B94577200	B13400247
CPLE42-1	3.5	B9266218A	12622-21	B94575400	B13400255
CPLE48-1	4	B9266201A	12622-23	B94575600	B13400247
CPLE48-3	4	B9266204A	12622-23	B945650	B13400247
CPLE60-1	6	B9266355	12622-23	B94577500	B13400247
CPLE60-3	6	B9266353	12622-23	B945650	B13400247

10 SEER SPLIT SYSTEM HEAT PUMPS

MODEL	TON	DRYERS	CONTACT	ACCUMU	REVERSE VALVE	MUFFLER
CPLE18-1A	1.5	B1219204	B1360321	B1226205	B1227300	B1219300
CPLE24-1A	2	B1219204	B1360321	B1226205	B1227300	B1219300
CPLE30-1	2.5	B1219204	B1360321	B1226206	B1227302	B1219301
CPLE36-1	3	B1219204	B1360321	B1226206	B1227302	B1219301
CPLE42-1	3.5	B1219204	B1360321	B1226207	B1227310	B1219301
CPLE48-1	4	B1219204	B1360324	B1226207	B1227310	B1219301
CPLE48-3	4	B1219204	B1360315	B1226207	B1227310	B1219301
CPLE60-1	6	B1219204	B1360305	B1226207	B1227310	B1219301
CPLE60-3	6	B1219204	B1360315	B1226207	B1227310	B1219301

7.5 to 10 TON 10 SEER HEAT PUMPS

MODEL	TON	COMPRESSOR	COIL COND	CAPACITOR	MOTOR
CPLE090-3	7.5	B9266382	12622-33	B945673	B13400354
CPLE090-4	7.5	B9266383	12622-33	B945673	B13400355
CPLE120-3	10	B9266384	12622-34	B945673	B13400354
CPLE120-4	10	B9266385	12622-34	B945673	B13400355

7.5 to 10 TON 10 SEER HEAT PUMPS

MODEL	TON	DRYERS	CONTACT	ACCUMU	REVERSE VALVE
CPLE090-3	7.5	B1219226	B1360335	B1226212	B1227312
CPLE090-4	7.5	B1219226	B1360335	B1226212	B1227312
CPLE120-3	10	B1219226	B1360335	B1226212	B1227313
CPLE120-4	10	B1219226	B1360335	B1226212	B1227313

10 SEER SLIP SYSTEM HEAT PUMPS WITH SOUND BLANKET

MODEL	TON	COMPRESSOR	COIL COND	CAPACITOR	MOTOR	DRYERS	CONTACT
CKLB18-1C	1.5	B9266234A	12621-01	B94576000	B13400252	B1219212	B1360321
CKLB24-1H	2	B9266214A	12621-02	B94578700	B13400252	B1219212	B1360321
CKLB30-1F	2.5	B9266830A	12621-02	B94575300	B13400252	B1219212	B1360321
CKLB36-1H	3	B9266606A	12621-03	B94575500	B13400251	B1219212	B1360321

12 SEER SPLIT SYSTEM HEAT PUMPS

MODEL	TON	COMPRESSOR	COIL COND	CAPACITOR	MOTOR	DRYERS	CONTACT
CLJ18-1	1.5	B9266837A	12621-03	B94576000	B13400252	B1219212	B1360321
CLJ24-1	2	B9266844A	12621-05	B94578700	B13400348	B1209212	B1360321
CLJ30-1	2.5	B9266833A	12621-07	B94575300	B13400348	B1209212	B1360321
CLJ36-1A	3	B9266373	12621-09	B94575300	B13400270	B1209212	B1360321
CLJ42-1A	3.5	B9266831A	12621-10	B94577200	B13400270	B1209212	B1360321
CLJ48-1A	4	B9266352	12621-10	B94577500	B13400247	B1219225	B1360321
CLJ60-1	5	B9266349	12621-12	B94577600	B13400247	B1219225	B1360321
CLJ64-1	5	B9266393	12621-15	B94577600	B13400271	B1219225	B1360321

13 SEER SPLIT SYSTEM HEAT PUMPS

MODEL	TON	COMPRESSOR	COIL COND	CAPACITOR	MOTOR	DRYERS	CONTACT
CLT24-1A	2	B9266387	12621-07	B94575300	B13400348	B1219212	B1360321
CLT30-1A	2.5	B9600388	12621-09	B94575300	B13400348	B1219212	B1360321
CLT36-1A	3	B9266380	12621-10	B94577200	B13400270	B1219212	B1360321
CLT42-1A	3.5	B9266375	12621-11	B94577400	B13400270	B1219212	B1360321
CLT48-1A	4	B9266389	12621-12	B94575900	B13400270	B1219225	B1360324
CLT60-1	6	B9266379	12621-12	B94578800	B13400270	B1219225	B1360305

14 SEER SPLIT SYSTEM HEAT PUMPS

MODEL	TON	COMPRESSOR	COIL COND	CAPACITOR	MOTOR	DRYERS	CONTACT
CLQ24-1A	2	B9266387	12621-10	B94575300	B94575300	B1209212	B1360321
CLQ30-1A	2.5	B9266388	12621-10	B94575300	B13400348	B1209212	B1360321
CLQ36-1	3	B9266369	12621-11	B94577200	B13400270	B1209212	B1360321
CLQ42-1	3.5	B9266391	12621-13	B94577400	B13400271	B1209212	B1360321
CLQ48-1	4	B9266389	12621-14	B94575800	B13400271	B1219225	B1360324
CLQ60-1	5	B9266379	12621-15	B94578800	B13400271	B1219225	B1360325

12 SEER SPLIT SYSTEM HEAT PUMPS

MODEL	TON	COMPRESSOR	COIL COND	CAPACITOR	MOTOR
CPLJ18-1	1.5	B9266842A	12622-09	B94578700	B13400348
CPLJ24-1	2	B9266833A	12622-10	B94578700	B13400348
CPLJ30-1	2.5	B9266639A	12622-14	B94575300	B13400348
CPLJ36-1A	3	B9266642A	12622-18	B94575500	B13400348
CPLJ42-1A	3.5	B9266839A	12622-26	B94577200	B13400247
CPLJ48-1A	4	B9266838A	12622-26	B94577200	B13400247
CPLJ60-1A	5	B9266349	12622-30	B94577600	B13400248

12 SEER SPLIT SYSTEM HEAT PUMPS

MODEL	TON	DRYERS	CONTACT	ACCUMU	REVERSE	MUFFLER
CPLJ18-1	1.5	B1219204	B1360321	B1226205	B1227300	B1219300
CPLJ24-1	2	B1219204	B1360321	B1226206	B1227302	B1219300
CPLJ30-1	2.5	B1219204	B1360321	B1226206	B1227302	B1219301
CPLJ36-1A	3	B1219204	B1360321	B1226206	B1227302	B1219301
CPLJ42-1A	3.5	B1219204	B1360321	B1226207	B1227310	B1219301
CPLJ48-1A	4	B1219204	B1360324	B1226207	B1227310	B1219301
CPLJ60-1A	5	B1219204	B1360305	B1226207	B1227310	B1219301

13 SEER SPLIT SYSTEM HEAT PUMPS

MODEL	TON	COMPRESSOR	COIL COND	CAPACITOR	MOTOR
CPLT24-1A	2	B9266390	12622-18	B94575300	B13400348
CPLT30-1A	2.5	B9266369	12622-13	B94577200	B13400348
CPLT36-1	3	B9266380	12622-15	B94577200	B13400270
CPLT42-1	3.5	B9266375	12622-22	B94577400	B13400270
CPLT48-1	4	B9266352	12622-31	B94577500	B13400270
CPLT60-1	5	B9266379	12622-32	B94578800	B13400270

13 SEER SPLIT SYSTEM HEAT PUMPS

MODEL	TON	DRYERS	CONTACT	ACCUMU	REVERSE	MUFFLER
CPLT24-1A	2	B1219204	B1360321	B1226206	B1227303	B1219301
CPLT30-1A	2.5	B1219204	B1360321	B1226206	B1227302	B1219301
CPLT36-1	3	B1219204	B1360324	B1226207	B1227310	B1219301
CPLT42-1	3.5	B1219204	B1360324	B1226207	B1227310	B1219301
CPLT48-1	4	B1219204	B1360324	B1226207	B1227310	B1219301
CPLT60-1	5	B1219204	B1360305	B1226207	B1227310	B1219301

AIR HANDLERS LIGHT COMMERCIAL

MODEL	TON	CONTACTOR	FAN BELT	XFMR	MOTOR	BLOWER	SVC COIL	DR. PAN ASSY
AR090	7.5	B1360315	B2110005	B1141672	B3240002	21005-00S	21010-00S	21020-00S
AR120	10	B1360315	B2110011	B1141672	B3240006	21005-01S	21010-01S	21020-00S

MULTI POSITION ELECTRIC HEAT/COOL AIR HANDLERS

MODEL	TON	BOARD PRIMARY	BOARD SECONDARY	XFMR	MOTOR VAR SPD	BLOWER	SVC COIL	DR.PAN VERTICAL	DR.PAN HORIZ
AER24-1	2	B1369270	B1369271	B1141643	B13400702AB	B1368037	P140142	B1756017H	B1756022L
AER30-1	2.5	B1369270	B1369271	B1141643	B13400702AB	B1368037	P140142	B1756017H	B1756022L
AER36-1	3	B1369270	B1369271	B1141643	B13400704AB	B1368048	P140149	B1756020H	B1756028L
AER48-1	4	B1369270	B1369271	B1141643	B13400704AB	B1368048	P140161	B1756020H	B1756028L
AER60-1	5	B1369270	B1369271	B1141643	B13400704AB	B1368048	P140161	B1756020H	B1756028L

VERTICAL WALL MOUNTED AIR HANDLERS

MODEL	TON	HEATER	BREAKER	SEQ.	TIME DEL. RELAY	XFMR	MOTOR
AWB18-05C	1.5	BT1420014	BT1753505	BT1256500	BT1370700	BT1141601	BT1340028
AWB18-08C	1.5	BT1420016	BT1753501	BT1256504	BT1370700	BT1141601	BT1340028
AWB24-05C	2	BT1420014	BT1753505	BT1256500	BT1370700	BT1141601	BT1340028
AWB24-08C	2	BT1420016	BT1753501	BT1256504	BT1370700	BT1141601	BT1340028
AWB24-10C	2	BT1420017	BT1753501	BT1256504	BT1370700	BT1141601	BT1340028
AWB30-05C	2.5	BT1420014	BT1753505	BT1256500	BT1370700	BT1141601	BT1340027
AWB30-08C	2.5	BT1420016	BT1753501	BT1256504	BT1370700	BT1141601	BT1340027
AWB30-10C	2.5	BT1420017	BT1753501	BT1256504	BT1370700	BT1141601	BT1340027

VERTICAL WALL MOUNTED AIR HANDLERS

MODEL	TON	BLOWER	CAPACITOR	SVC COIL	DR. PAN	OVL D PRIMARY	OVL D SECND'RY
AWB18-05C	1.5	BT1368007	BT9458000	3796004	BT3076500	BT1243744	BT1243745
AWB18-08C	1.5	BT1368007	BT9458000	3796004	BT3076500	BT1243744	BT1243745
AWB24-05C	2	BT1368007	BT9458000	3796001	BT3076500	BT1243744	BT1243745
AWB24-08C	2	BT1368007	BT9458000	3796001	BT3076500	BT1243744	BT1243745
AWB24-10C	2	BT1368007	BT9458000	3796001	BT3076500	BT1243744	BT1243745
AWB30-05C	2.5	BT1368007	BT9458003	3796005	BT3076500	BT1243744	BT1243745
AWB30-08C	2.5	BT1368007	BT9458003	3796005	BT3076500	BT1243744	BT1243745
AWB30-10C	2.5	BT1368007	BT9458003	3796005	BT3076500	BT1243744	BT1243745

VERTICAL WALL MOUNTED AIR HANDLERS

MODEL	TON	HEATER	DISTRIB. ASSY	DISCONNECT	TIME DEL. RELAY/BOARD	XFMR	MOTOR
AWB36-05CFR	3	BT1420018	BT1369011	BT1753509	BT1370700	BT1141601	BT1340031
AWB36-08CFR	3	BT1420019	BT1369011	BT1753509	B1370735	BT1141601	BT1340031
AWB36-10CFR	3	BT1420020	BT1369011	BT1753509	B1370735	BT1141601	BT1340031

VERTICAL WALL MOUNTED AIR HANDLERS

MODEL	TON	BLOWER	CAPACITOR	SVC COIL	DR. PAN	OVL D PRIMARY	OVL D SECND'RY
AWB36-05CFR	3	BT1368009	BT9458003	3796009S	BT3076501	BT1243752	BT1243753
AWB36-08CFR	3	BT1368009	BT9458003	3796009S	BT3076501	BT1243752	BT1243753
AWB36-10CFR	3	BT1368009	BT9458003	3796009S	BT3076501	BT1243752	BT1243753

VERTICAL AIR HANDLERS - HYDRONIC HEAT

MODEL	TON	XFMR	TIME DEL. BOARD	PUMP RELAY	HYD. COIL	DR. PAN
AH1826-1	1.5	BT11416-00	BT13707-00	BT13707-01	37970-00	BT30765-00
AH2429-1	2	BT11416-00	BT13707-00	BT13707-01	37970-00	BT30765-00
AH3043-1FR	2.5	BT11416-00	BT13707-00	BT13707-01	37970-03	37700-28
AH3645-1FR	3	BT11416-00	BT13707-00	BT13707-01	37970-03	37700-28

VERTICAL AIR HANDLERS - HYDRONIC HEAT

MODEL	TON	CAPACITOR	CHECK VALVE	SVC COIL ASM	MOTOR	BLOWER
AH1826-1	1.5	BT94580-00	BT1400004	37960-00	BT13400-11	37501-00S
AH2429-1	2	BT94580-00	BT1400004	37960-01	BT13400-11	37501-01S
AH3043-1FR	2.5	BT94580-00	BT1400004	37960-10	BT13400-11	37501-02S
AH3645-1FR	3	BT94580-00	BT1400004	37960-10	BT13400-11	37501-03S

HORIZONTAL AIR HANDLER - ELECTRIC HEAT

MODEL	TONS	HEATER	BREAKER	SEQ.	TIME DELAY BOARD	XFMR
AC18-00C A	1.5	-----	B1753510	-----	B1370735	BT11416-01
AC18-05C B	1.5	BT14200-10	B1753510	BT12565-00	B1370735	BT11416-01
AC18-06C B	1.5	BT14200-13	B1753510	BT12565-01	B1370735	BT11416-01
AC18-08C B	1.5	BT13680-11	B1753510	BT12565-01	B1370735	BT11416-01
AC24-00C A	2	-----	B1753510	-----	B1370735	BT11416-01
AC24-05C B	2	BT14200-10	B1753510	BT12565-00	B1370735	BT11416-01
AC24-06C B	2	BT14200-15	B1753510	BT12565-01	B1370735	BT11416-01
AC24-08C B	2	BT14200-11	B1753510	BT12565-01	B1370735	BT11416-01
AC24-10C B	2	BT14200-12	B1753510	BT12565-01	B1370735	BT11416-01
AC30-00C A	2.5	-----	B1753510	-----	B1370735	BT11416-01
AC30-05C B	2.5	BT14200-10	B1753510	BT12565-00	B1370735	BT11416-01
AC30-08C B	2.5	BT14200-11	B1753510	BT12565-01	B1370735	BT11416-01
AC30-10C B	2.5	BT14200-12	B1753510	BT12565-01	B1370735	BT11416-01
AC36-00C A	3	-----	B1753510	-----	B1370735	BT11416-01
AC36-05C B	3	BT14200-10	B1753510	BT12565-00	B1370735	BT11416-01
AC36-08C B	3	BT14200-10	B1753510	BT12565-00	B1370735	BT11416-01
AC36-10CB	3	BT14200-12	B1753510	BT12565-01	B1370735	BT11416-01

HORIZONTAL AIR HANDLER - ELECTRIC HEAT

MODEL	TONS	MOTOR	BLOWER	CAPACITOR	SVC COIL	DR.PAN
AC18-00C A	1.5	BT13400-14	BT13680-11	BT94580-00	36649-00	36700-00
AC18-05C B	1.5	BT13400-14	BT13680-11	BT94580-00	36649-00	36700-00
AC18-06C B	1.5	BT13400-14	BT13680-11	BT94580-00	36649-00	36700-00
AC18-08C B	1.5	BT13400-14	BT13680-11	BT94580-00	36649-00	36700-00
AC24-00C A	2	BT13400-15	BT13680-12	BT94580-00	36649-00	36700-00
AC24-05C B	2	BT13400-15	BT13680-12	BT94580-00	36649-00	36700-00
AC24-06C B	2	BT13400-15	BT13680-12	BT94580-00	36649-00	36700-00
AC24-08C B	2	BT13400-15	BT13680-12	BT94580-00	36649-00	36700-00
AC24-10C B	2	BT13400-15	BT13680-12	BT94580-00	36649-00	36700-00
AC30-00C A	2.5	BT13400-15	BT13680-13	BT94580-00	36649-01	36700-01
AC30-05C B	2.5	BT13400-15	BT13680-13	BT94580-00	36649-01	36700-01
AC30-08C B	2.5	BT13400-15	BT13680-13	BT94580-00	36649-01	36700-01
AC30-10C B	2.5	BT13400-15	BT13680-13	BT94580-00	36649-01	36700-01
AC36-00C A	3	BT13400-16	BT13680-14	BT94580-00	36649-02	36700-02
AC36-05C B	3	BT13400-16	BT13680-14	BT94580-00	36649-02	36700-02
AC36-08C B	3	BT13400-16	BT13680-14	BT94580-00	36649-02	36700-02
AC36-10CB	3	BT13400-16	BT13680-14	BT94580-00	36649-02	36700-02

HORIZONTAL AIR HANDLER - ELECTRIC HEAT

MODEL	TON	XFMR	TIME DEL. BOARD	PUMP RELAY	HYD. COIL	DR. PAN
ACHP1819-1 A	1.5	BT1141600	B1370735	BT1370701	3697000S	3670000
ACHP2423-1 A	2	BT1141600	B1370735	BT1370701	3697000S	3670000
ACHP3028-1 A	2.5	BT1141600	B1370735	BT1370701	3697001S	3670000
ACHP3632-1 A	3	BT1141600	B1370735	BT1370701	3697010S	3670003

HORIZONTAL AIR HANDLER - ELECTRIC HEAT

MODEL	TON	CAPACITOR	CHECK VALVE	SVC COIL ASM	MOTOR	BLOWER
ACHP1819-1 A	1.5	BT9458003	BT1400004	3696000	BT1340023	BT1368011
ACHP2423-1 A	2	BT9458003	BT1400004	3696001	BT1340024	BT1368014
ACHP3028-1 A	2.5	BT9458003	BT1400004	3696002	BT1340024	BT1368014
ACHP3632-1 A	3	BT9458041	BT1400004	3696004	BT1340041	BT1368019

AIR HANDLER 60HZ

MODEL	TON	BOARD PRIMARY	BOARD SECONDARY	XFMR	MOTOR
AEPT030-00A-1	2.5	B1368270	B1368271	B1141643	B13400702AB
AEPT036-00A-1	3	B1368270	B1368271	B1141643	B13400704AB
AEPT060-00A-1	5	B1368270	B1368271	B1141643	B13400704AB

AIR HANDLER 60HZ

MODEL	TON	BLOWER WHEEL	SVC COIL	DR. PAN HORIZONTAL	DR. PAN VERTICAL
AEPT030-00A-1	2.5	B1368037	1262403	B1756022L	B1756017H
AEPT036-00A-1	3	B1368048	1262404	B1756028L	B1756020H
AEPT060-00A-1	5	B1368048	1262405	B1756028L	B1756020H

AIR HANDLER DEDICATED DOWNFLOW

MODEL	TON	CAPACITOR	RELAY	XFMR	MOTOR	BLOWER WHEEL	SVC COIL PAN ASM
ARPF024-00B-1	2	B945650	B1370735S	B1141643	B13400313	B1368042	P140224
ARPF036-00B-1	3	B945651	B1370735S	B1141643	B13400312	B1368042	P140236
ARPF048-00B-1	4	B945653	B1370735S	B1141643	B13400208	B1368057	P140260
ARPF060-00B-1	5	B945672	B1370735S	B1141643	B13400353	B1368036	P140248

MODEL	TON	CAPACITOR	TIME DELAY BOARD	XFMR	MOTOR	BLOWER WHEEL	SVC COIL PAN ASM	DR. PAN HORIZONTAL	DR. PAN VERTICAL
ARPT024-00A-1	2	B945650	B1370735	B1141643	B13400313	B1368042	1262400	B1756021L	B1756013L
ARPT032-00A-1	2.5	B945651	B1370735	B1141643	B13400312	B1368042	1262401	B1756021L	B1756013L
ARPT036-00A-1	3	B945651	B1370735	B1141643	B13400312	B1368036	1262402	B1756022L	B1756017L
ARPT042-00A-1	3.5	B945672	B1370735	B1141643	B13400353	B1368036	1262403	B1756022L	B1756017L
ARPT049-00A-1	4	B945672	B1370735	B1141643	B13400353	B1368036	1262404	B1756020L	B1756028L
ARPT061-00A-1	5	B945653	B1370735	B1141643	B13400208	B1368057	1262405	B1756020L	B1756028L

AIR HANDLER 60HZ

MODEL	TON	CAPACITOR	RELAY	XFMR	MOTOR	BLOWER	SVC COIL PAN ASM	DR. PAN HORIZONTAL	DR. PAN VERTICAL
ARUF018-00A-1	1.5	B945650	B1370735S	B1141643	B13400313	B1368035	P140118	B1756021L	B1756013L
ARUF024-00A-1	2	B945650	B1370735S	B1141643	B13400313	B1368042	P140124	B1756021L	B1756013L
ARUF030-00A-1	2.5	B945651	B1370735S	B1141643	B13400312	B1368042	P140130	B1756021L	B1756013L
ARUF032-00A-1	2.5	B945651	B1370735S	B1141643	B13400312	B1368042	P140132	B1756022L	B1756017L
ARUF036-00A-1	3	B945651	B1370735S	B1141643	B13400312	B1368036	P140136	B1756022L	B1756017L
ARUF042-00A-1	3.5	B945672	B1370735S	B1141643	B13400312	B1368036	P140142	B1756022L	B1756017L
ARUF048-00A-1	4	B945672	B1370735S	B1141643	B13400353	B1368036	P140148	B1756028L	B1756020L
ARUF049-00A-1	4	B945672	B1370735S	B1141643	B13400353	B1368036	P140149	B1756028L	B1756020L
ARUF060-00A-1	5	B945653	B1370735S	B1141643	B13400353	B1368057	P140160	B1756028L	B1756020L
ARUF061-00A-1	5	B945653	B1370735S	B1141643	B13400208S	B1368047A	P140161	B1756028L	B1756020L

10 SEER MINI SPLIT 60 HZ COOLING

MODEL	TON	COMPRESSOR	COIL COND	CAPACITOR	MOTOR	DRYERS	CONTACT
HDC12-1A	1	B9266-724	31649-00	B9457-6000	B13400-701	B12192-17	B13603-22
HDC18-1A	1.5	B9266-685	31649-02	B9457-5300	B13400-701	B12192-17	B13603-22
HDC24-1A	2	B9266-686	31649-02	B9457-8700	B13400-701	B12192-17	B13603-22

THROUGH THE WALL CONDENSER

MODEL	TON	COMP	MOTOR	DRIER	COND COIL	CAPACITOR	CONTACTOR	SERVICE VALVE
TWC24-1	2	B9266395	BT1340042	B1219212	CRK-01	B95475300	B1360300	B1282566
TWCR30-1	2.5	B9266394	BT1340042	B1219212	CRK-01	B94575500	B1360300	B1282566

GAS FURNACES

GoodPartssm

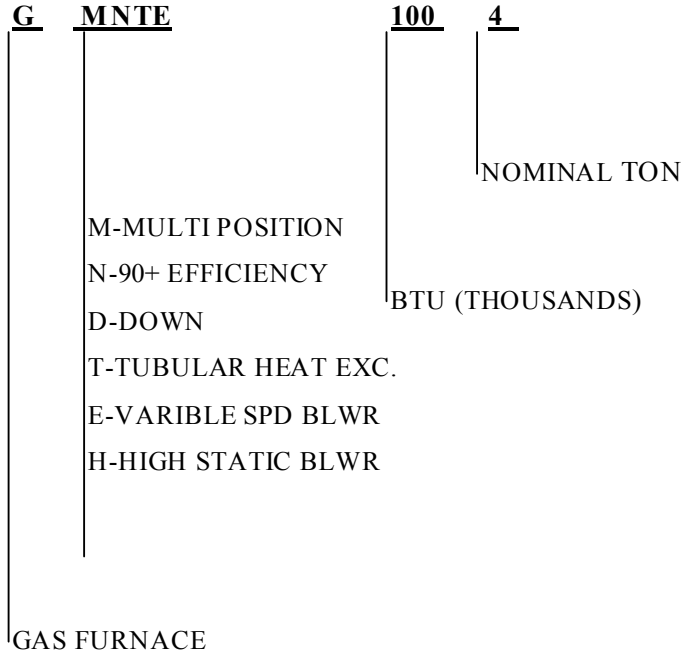
Quick Reference Parts Manual

WARNING:

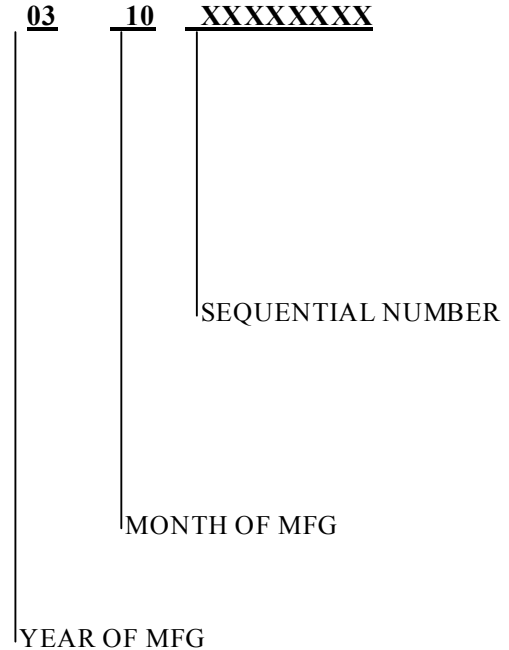
For use by trained professional technicians only. Dangerous and hazardous conditions exist, similar to all air conditioners, which can cause property damage, serious injury or death.

MODEL/SERIAL NUMBER IDENTIFICATION

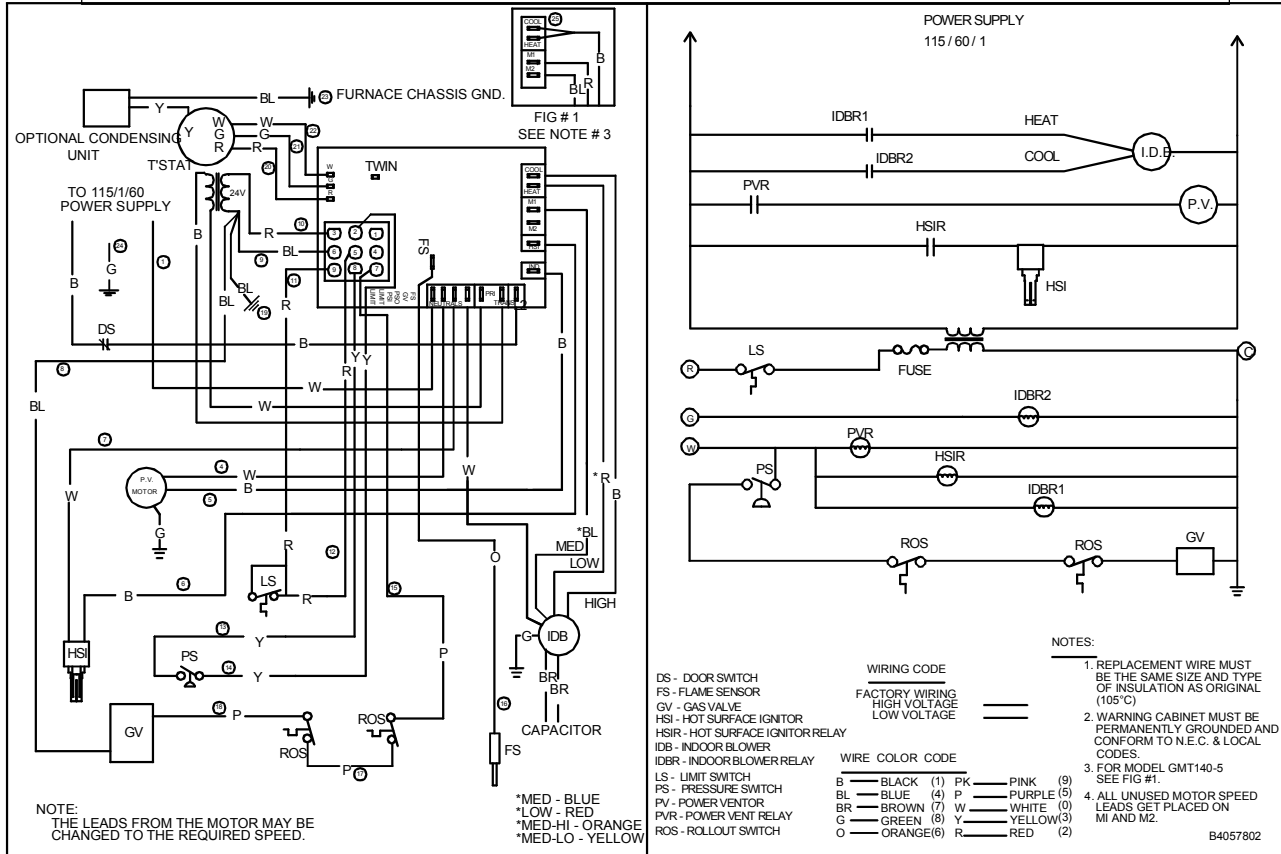
MODEL NUMBER IDENTIFICATION



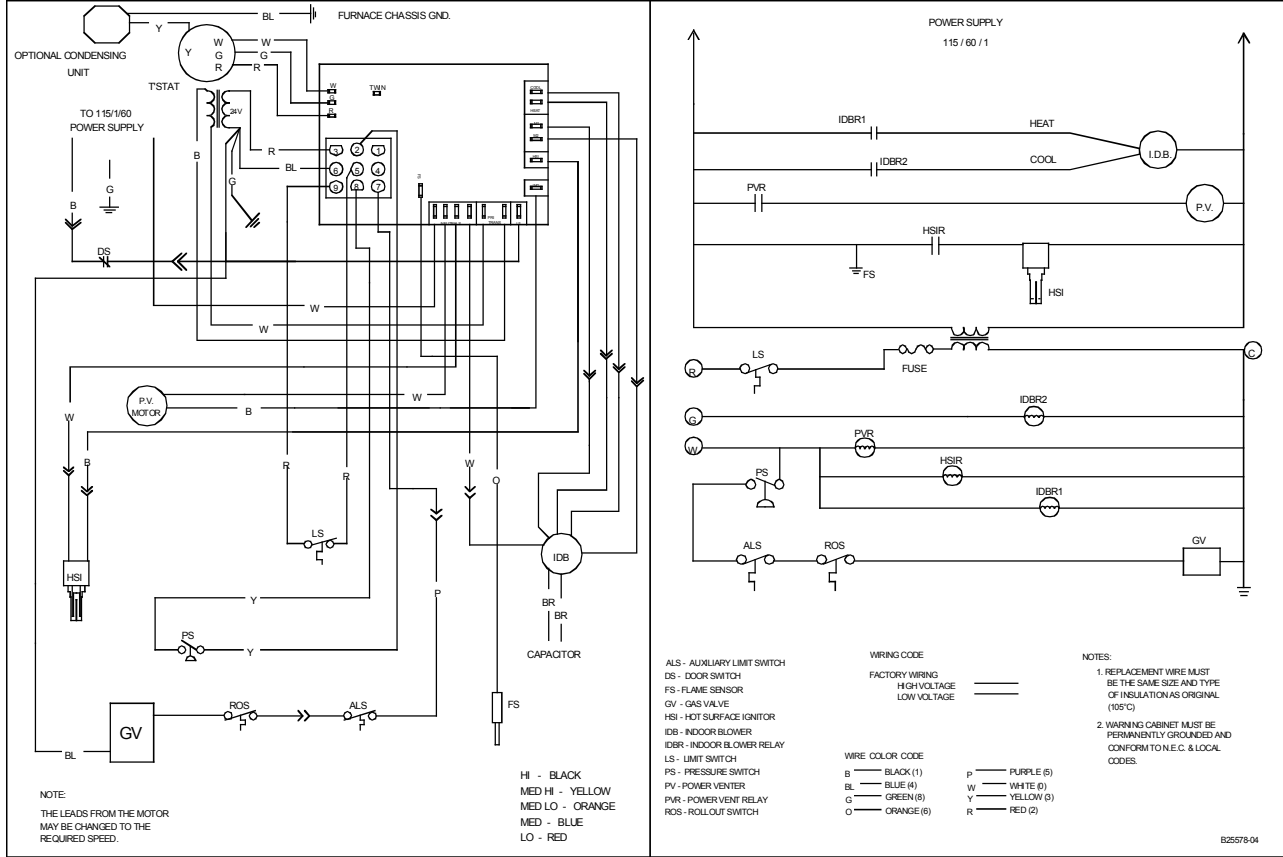
SERIAL NUMBER IDENTIFICATION



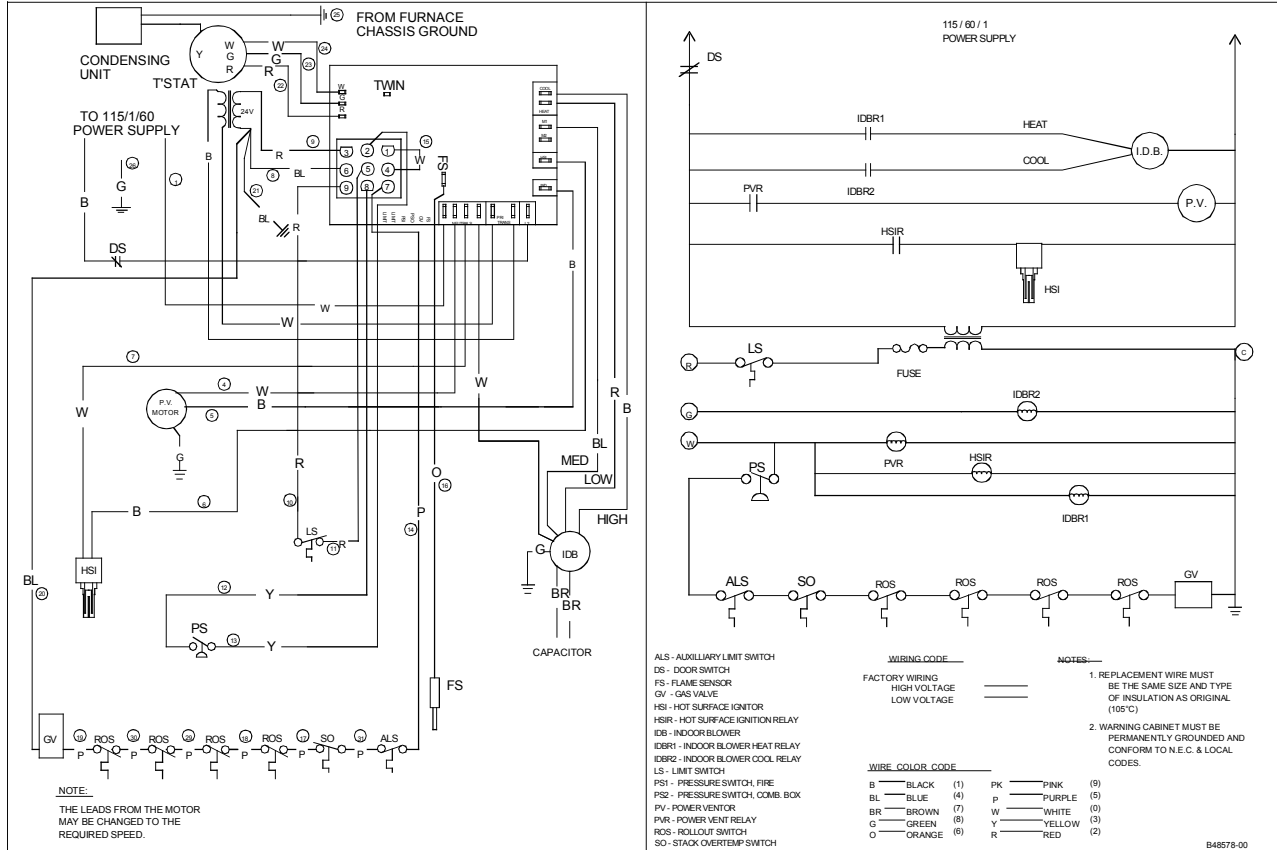
WIRING DIAGRAM FOR GAS FURNACE (GMT/GMTH)



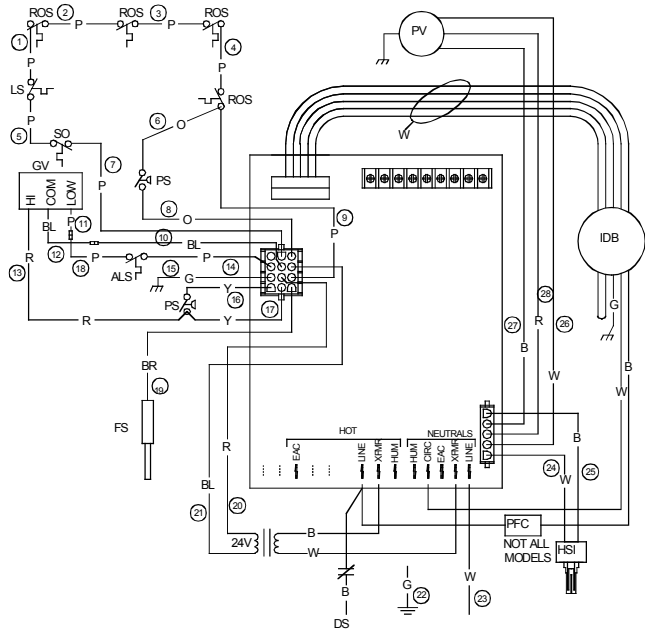
WIRING DIAGRAM FOR GAS FURNACE (GDT)



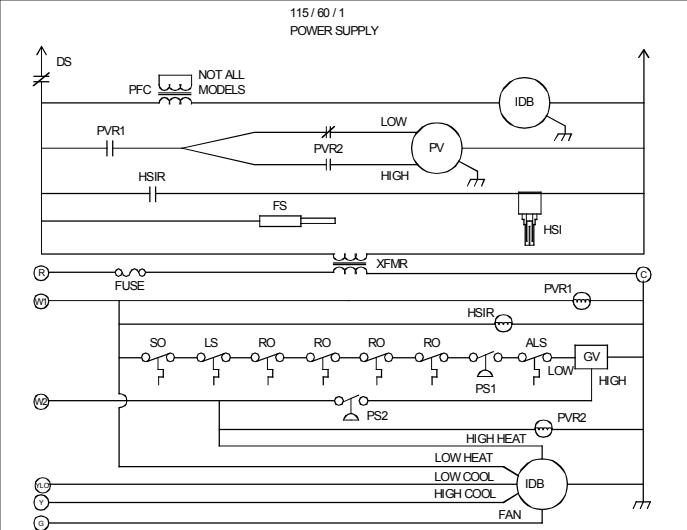
WIRING DIAGRAM FOR GAS FURNACE (GMNT)



WIRING DIAGRAM FOR GAS FURNACE (GMNTE)



TO 115/60
POWER SUPPLY



- ALS - AUXILLIARY LIMIT SWITCH**
DS - DOOR SWITCH
FS - FLAME SENSOR
GV - GAS VALVE
HSI - HOT SURFACE IGNITOR
HSIR - HOT SURFACE IGNITION RELAY
IDB - INDOOR BLOWER
IDBR1 - INDOOR BLOWER HEAT RELAY
IDBR2 - INDOOR BLOWER COOL RELAY
LS - LIMIT SWITCH
PS1 - PRESSURE SWITCH, FIRE
PS2 - PRESSURE SWITCH, COMB BOX
PV - POWER VENTOR
PVR - POWER VENT RELAY
ROS - ROLLOUT SWITCH
SO - STACK OVERTEMP SWITCH

- WIRING CODE
- FACTORY WIRING
HIGH VOLTAGE =
LOW VOLTAGE =
- WIRE COLOR CODE
- B — BLACK (1)
 - BL — BLUE (4)
 - BR — BROWN (7)
 - G — GREEN (8)
 - O — ORANGE(6)
 - PK — PINK (9)
 - P — PURPLE (5)
 - W — WHITE (0)
 - Y — YELLOW(3)
 - R — RED (2)

- NOTES:**
1. REPLACEMENT WIRE MUST BE THE SAME SIZE AND TYPE OF INSULATION AS ORIGINAL (105°C)
 2. WARNING: CABINET MUST BE PERMANENTLY GROUNDED AND CONFORM TO N.E.C. & LOCAL CODES.
 3. POWER FACTOR CHOKE PRESENT ONLY ON UNITS WITH 3/4 AND 1HP INDOOR BLOWERS.

B48578-01

80% AFUE MULTI POSITION UPFLOW INDUCED DRAFT FURNACE

MODEL	BTU	FLUE COLL ASM	HEAT EXCH'R	LIMIT SWITCH	VENTER BLOWER ASM	IGNITOR ASM H.S.I	ROLLOUT SWITCH
GMT045-3B	45000	4010012C	4021300S	B1370189	B4059001	B1401015S	B1370145
GMT070-3B	70000	4010013C	4021307S	B1340025	B4059001	B1401015S	B1370145
GMT070-4B	70000	4010014C	4021308S	B1370189	B4059001	B1401015S	B1370145
GMT090-3B	90000	4010015C	4021309S	B1370198	B4059001	B1401015S	B1370145
GMT090-4B	90000	4010015C	4021309S	B1370198	B4059001	B1401015S	B1370145
GMT090-5B	90000	4010016C	4021310S	B1370189	B4059001	B1401015S	B1370145
GMT115-5B	115000	4010017C	4021311S	B1370187	B4059001	B1401015S	B1370145
GMT140-5B	140000	4010018C	4021312S	B1370198	B4059001	B1401015S	B1370145

80% AFUE MULTI POSITION UPFLOW INDUCED DRAFT FURNACE

MODEL	BTU	INSHOT BURNER ASM	GAS VALVE	BLOWER WHEEL	INDUCT'R MOTOR	XFMR	H.S.I MODULE	AIR PR. SWITCH
GMT045-3B	45000	B4022700	B1282628	B1368034	B1340025	B1141605	B1809913S	B1370142
GMT070-3B	70000	B4022700	B1282628	B1368034	B1340025	B1141605	B1809913S	B1370142
GMT070-4B	70000	B4022700	B1282628	B1368016	B1340024	B1141605	B1809913S	B1370142
GMT090-3B	90000	B4022700	B1282628	B1368016	B1340025	B1141605	B1809913S	B1370142
GMT090-4B	90000	B4022700	B1282628	B1368016	B1340024	B1141605	B1809913S	B1370142
GMT090-5B	90000	B4022700	B1282628	B1368047A	B1340024	B1141605	B1809913S	B1370158
GMT115-5B	115000	B4022700	B1282628	B1368047A	B1340024	B1141605	B1809913S	B1370158
GMT140-5B	140000	B4022700	B1282628	B1368000	B1340023	B1141605	B1809913S	B1370179

80% AFUE MULTI POSITION DOWNFLOW INDUCED DRAFT FURNACE

MODEL	BTU	FLUE COLL ASM	HEAT EXCH'R	LIMIT SWITCH	VENTER BLOWER ASM	IGNITOR ASM H.S.I	ROLLOUT SWITCH
GDT045-3B	45000	4010012S	4021300S	B1370195	B4059001	B1401015S	B1370145
GDT070-3B	70000	4010013S	4021307S	B1370193	B4059001	B1401015S	B1370145
GDT090-4B	90000	4010015S	4021309S	B1370194	B4059001	B1401015S	B1370145
GDT115-5B	115000	4010017S	40213011S	B1370191	B4059001	B1401015S	B1370145

80% AFUE MULTI POSITION DOWNFLOW INDUCED DRAFT FURNACE

MODEL	BTU	INSHOT BURNER ASM	GAS VALVE	BLOWER WHEEL	INDUCT'R MOTOR	XFMR	H.S.I MODULE	AIR PR. SWITCH
GDT045-3B	45000	B4022700	B1282628	B1368034	B1340025	B1141605	B1809913S	B1370142
GDT070-3B	70000	B4022700	B1282628	B1368034	B1340025	B1141605	B1809913S	B1370176
GDT090-4B	90000	B4022700	B1282628	B1368034	B1340025	B1141605	B1809913S	B1370179
GDT115-5B	115000	B4022700	B1282628	B1368047A	B1340024	B1141605	B1809913S	B1370150

80% AFUE MULTI POSITION INDUCED DRAFT FURNACE

MODEL	BTU	FLUE COLL ASM	HEAT EXCH'R	LIMIT SWITCH	VENTER BLOWER ASM	IGNITOR ASM H.S.I	ROLLOUT SWITCH	INSHOT BURNER ASM
GMTH045-3B	45000	4010012S	4021300S	B1370199	B4059001	B1401015S	B1370145	B4022700
GMTH070-4B	70000	4010014S	4021308S	B1370198	B4059001	B1401015S	B1370145	B4022700
GMTH090-5B	90000	4010016S	4021310S	B1370189	B4059001	B1401015S	B1370145	B4022700

80% AFUE MULTI POSITION INDUCED DRAFT FURNACE

MODEL	BTU	GAS VALVE	BLOWER WHEEL	FLAME SENSOR	ECM MOTOR ASM	XFMR	H.S.I MODULE	AIR PR. SWITCH
GMTH045-3B	45000	B1282628	B1368034	B1172606	B1340025	B1141605	B1809913S	B1370142
GMTH070-4B	70000	B1282628	B1368016	B1172606	B1340023	B1141605	B1809913S	B1370142
GMTH090-5B	90000	B1282628	B1368000	B1172606	B1340023	B1141605	B1809913S	B1370158

90% AFUE MULTI POSITION CONDENSING GAS FURNACE

MODEL	BTU	FLUE COLL ASM	HEAT EXCH'R	LIMIT SWITCH	VENTER BLOWER ASM	IGNITOR ASM H.S.I	ROLLOUT SWITCH
GMNT040-3B	40000	4810004S	4821400S	B1141605	B4833000	B1401015S	B1370145
GMNT060-3B	60000	4810004S	4821401S	B1370187	B4833000	B1401015S	B1370145
GMNT080-4B	80000	4810005S	4821402S	B1370189	B4833000	B1401015S	B1370145
GMNT100-4B	100000	4810006S	4821403S	B1370188	B4833000	B1401015S	B1370145
GMNT120-5B	120000	4810006S	4821403S	4821403S	B4833000	B1401015S	B1370145

90% AFUE MULTI POSITION CONDENSING GAS FURNACE

MODEL	BTU	INSHOT BURNER ASM	GAS VALVE	BLOWER WHEEL	INDUCT'R MOTOR	XFMR	H.S.I MODULE	AIR PR. SWITCH
GMNT040-3B	40000	B4022700	B1282628	B1368034	B1340025	B1141605	B1809913S	B1370148
GMNT060-3B	60000	B4022700	B1282628	B1368034	B1340025	B1141605	B1809913S	B1370150
GMNT080-4B	80000	B4022700	B1282628	B1368016	B1340024	B1141605	B1809913S	B1370159
GMNT100-4B	100000	B4022700	B1282628	B1368047A	B1340024	B1141605	B1809913S	B1370150
GMNT120-5B	120000	B4022700	B1282628	B1368000	B1340024	B1141605	B1809913S	B1370179

90% AFUE MULTI POSITION 2 STAGE VARIABLE SPEED CONDENSING GAS FURNACE

MODEL	BTU	FLUE COLL ASM	HEAT EXCH'R	LIMIT SWITCH	VENTER BLOWER ASM	IGNITOR ASM H.S.I	ROLLOUT SWITCH	INSHOT BURNER ASM
GMNTE060-3	60000	4810004S	4821401S	B1370188	B4833001	B1401015S	B1370145	B4022700
GMNTE080-4	80000	4810005S	4821402S	B1370188	B4833001	B1401015S	B1370145	B4022700
GMNTE100-4	100000	4810006S	4821403S	B1370190	B4833001	B1401015S	B1370154	B4022700
GMNTE120-5	120000	4810007S	4821404S	B1370190	B4833001	B1401015S	B1370145	B4022700

90% AFUE MULTI POSITION 2 STAGE VARIABLE SPEED CONDENSING GAS FURNACE

MODEL	BTU	GAS VALVE	BLOWER WHEEL	FLAME SENSOR	ECM MOTOR ASM	XMFR	H.S.I MODULE	AIR PR. SWITCH	INDUCTOR
GMNTE060-3	60000	B1282617	B1368034	B1172606	B13500905GBS	B1141605	B1809925	B1370201	-----
GMNTE080-4	80000	B1282617	B1368016	B1172606	B13500906GBS	B1141605	B1809925	B1370204	B1141666
GMNTE100-4	100000	B1282617	B1368047	B1172606	B13500907GBS	B1141605	B1809925	B1370202	B1141666
GMNTE120-5	120000	B1282617	B1368000	B1172606	B13500908GBS	B1141605	B1809925	B1370203	B1141666

This page left blank intentionally.

PACKAGED COOLING/ HEAT PUMP/GAS

GoodPartssm

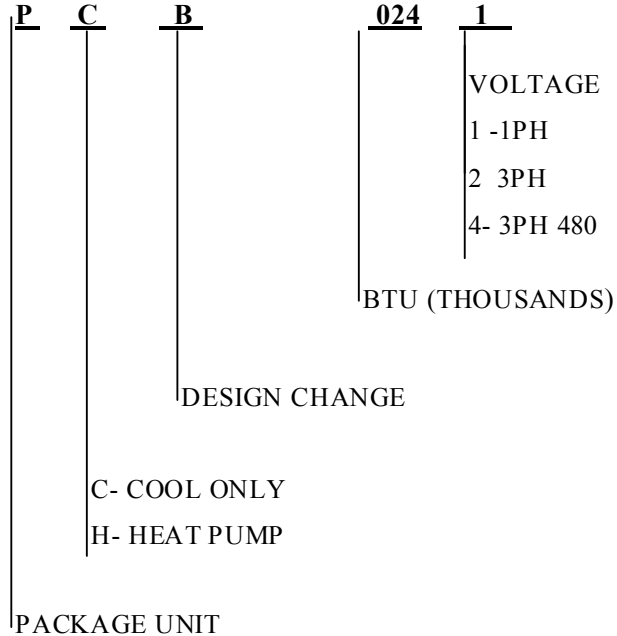
Quick Reference Parts Manual

WARNING:

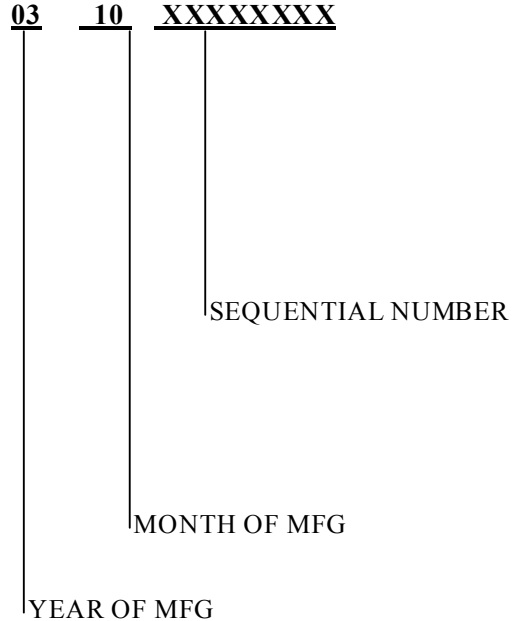
For use by trained professional technicians only. Dangerous and hazardous conditions exist, similar to all air conditioners, which can cause property damage, serious injury or death.

MODEL/SERIAL NUMBER IDENTIFICATION

MODEL NUMBER IDENTIFICATION



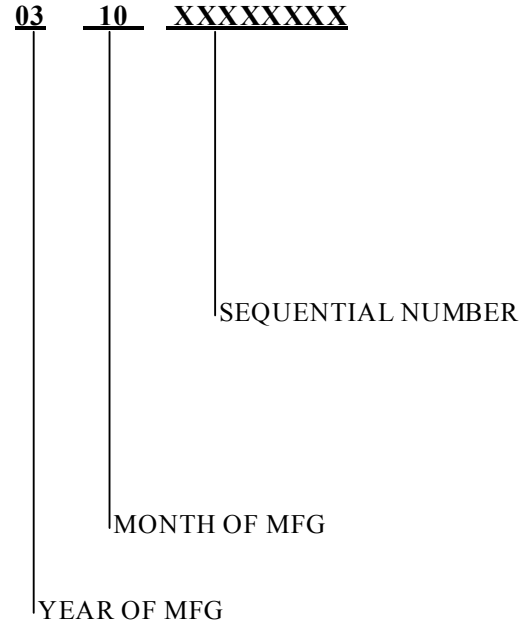
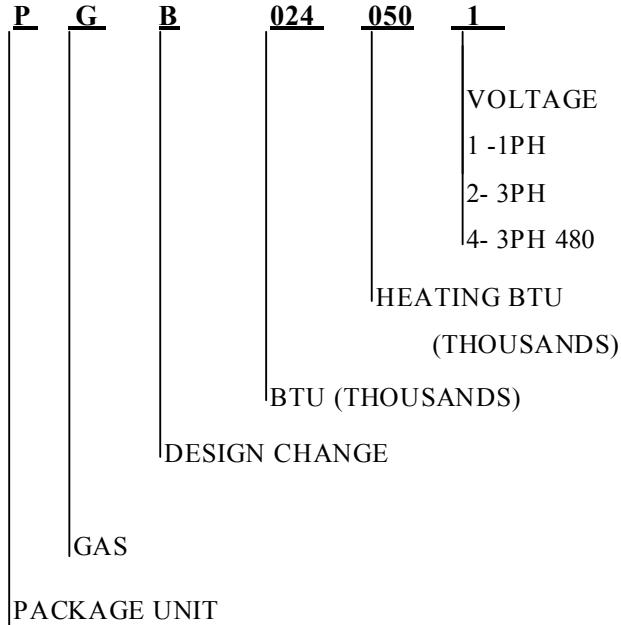
SERIAL NUMBER IDENTIFICATION



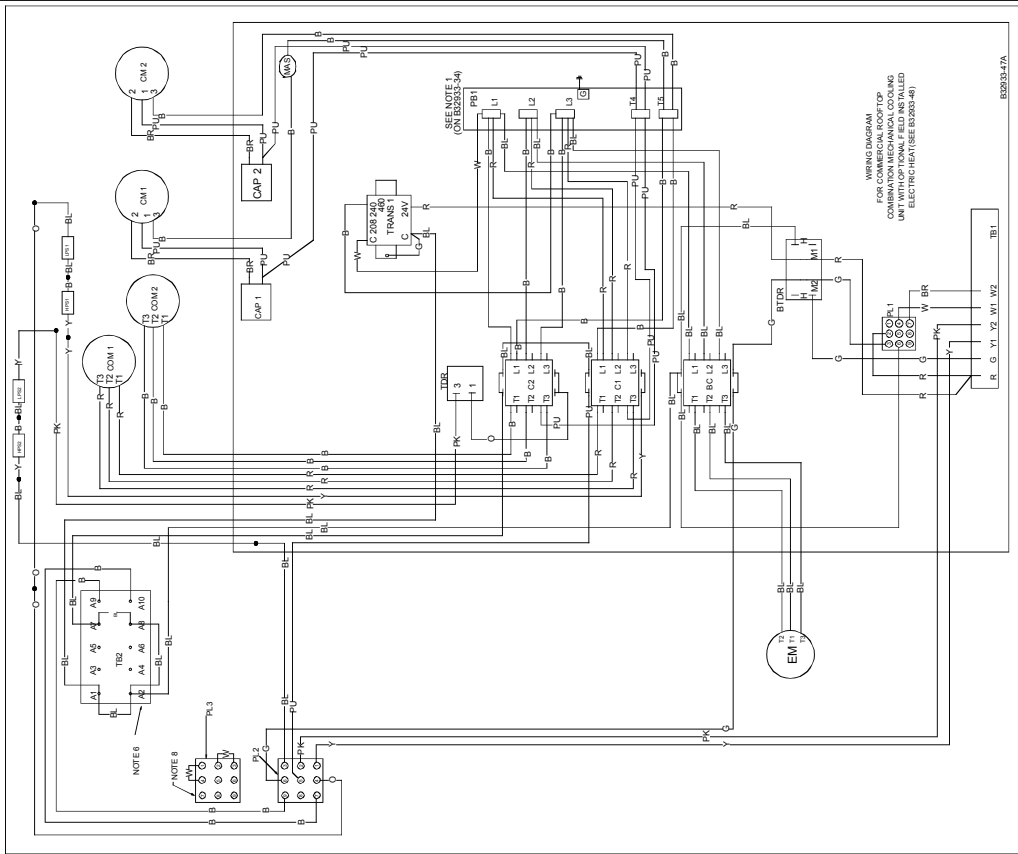
MODEL/SERIAL NUMBER IDENTIFICATION

MODEL NUMBER IDENTIFICATION

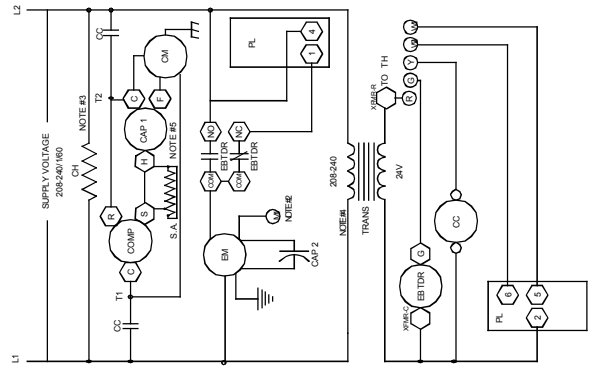
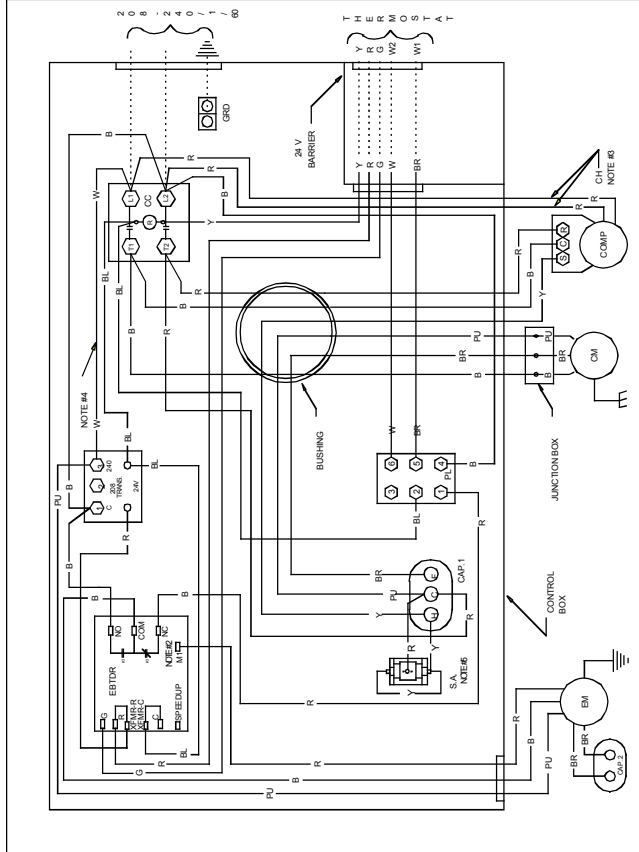
SERIAL NUMBER IDENTIFICATION



WIRING DIAGRAM FOR PACKAGE COOLING (PCC)



WIRING DIAGRAM FOR PACKAGE COOLING (PCK/PCKJ)



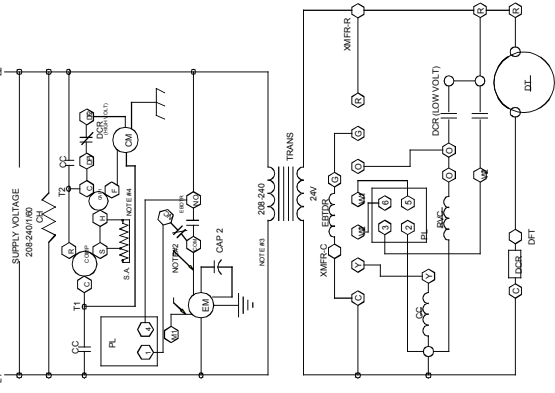
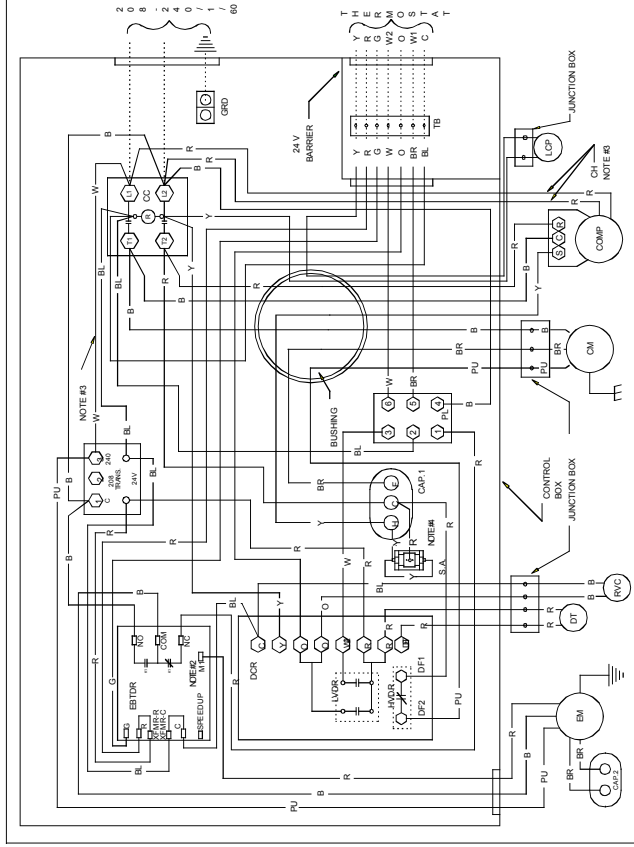
- WIRING**
- WIRE VOLTAGE
 - CONTROL VOLTAGE
 - FIELD INSTALLED
- COMPONENT LEGEND**
- EBTDR BLOWER TIME DELAY RELAY
 - CAP CAPACITOR
 - CM CONDENSER MOTOR
 - CC CONTACTOR
 - EM EVAPORATOR MOTOR
 - FL FULG
 - GRD GROUND LUG
 - PU PULG
 - SA START ASSIST
 - TH THERMISTAT
 - MARKED TERMINAL
 - WIRE SPOLICE
- WIRE CODE**
- B BLACK
 - BL BLUE
 - BR BROWN
 - G GREEN
 - O ORANGE
 - PU PURPLE
 - R RED
 - W WHITE
 - Y YELLOW

- NOTE:**
1. REPLACEMENT WIRE MUST BE SAME SIZE AND TYPE INSULATION AS ORIGINAL. AT LEAST 100% COPPER CONDUCTOR ONLY.
 2. TO CHANGE EVAPORATOR MOTOR SPEED REPLACE LEAD ON EBTDR WITH LEAD ON EBTDR "M".
 3. CHANGING MOTOR SPEED FROM 1740 - HIGH SPEED TO 1440 - LOW SPEED.
 4. FOR 208 VOLT TRANSFORMER OPERATION MOVE WHITE & PURPLE WIRE FROM TERMINAL 3 TO TERMINAL 2 ON TRANSFORMER.
 5. COMPRESSORS ON MODELS EQUIPPED WITH INERTIA COMPRESSORS.

SEE UNIT RATING PLATE FOR TYPE AND SIZE OF OVER CURRENT PROTECTION

208-240/180 B-41120/7

WIRING DIAGRAM FOR PACKAGE HEAT PUMP (PHK/PHKJ)

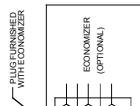
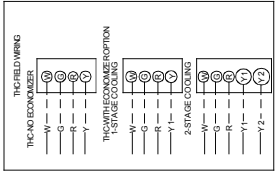
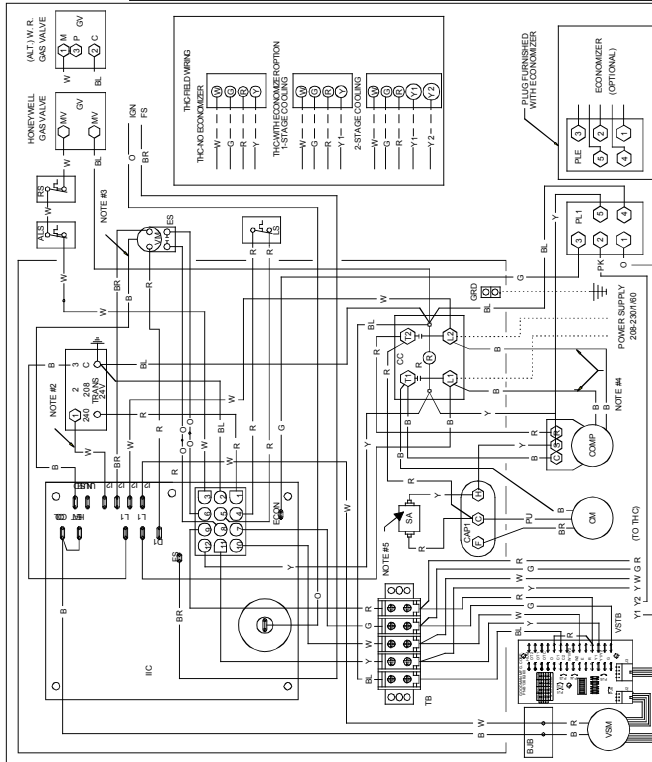


- COMPONENT LEGEND**
- EDTRR BLOW/TIME DELAY RELAY
 - CAP COMPRESSOR
 - COMP CONDENSER MOTOR
 - CFM CONDENSER FAN MOTOR
 - CH CHANGING USE HEATER
 - DCR DEFROST CONTROL WIRELAY
 - EFM EVAPORATOR MOTOR
 - EM EVAPORATOR MOTOR
 - LWV LOW VOLTAGE DEFROST RELAY
 - LOSS OF CHARGE PROTECTION
 - PL PLUG FOR BOX
 - SC SLICE CONNECTOR
 - SC REVERSING VALVE COIL
 - S.A. START ASSIST
- WIRE CODE**
- B BLACK
 - BL BLUE
 - BR BROWN
 - G GREEN
 - O OIL
 - PK PINK
 - R RED
 - W WHITE
 - Y YELLOW
 - V VIOLET
- NOTES**
1. REPLACEMENT WIRE MUST BE THE SAME SIZE AND TYPE OF INSULATION AS ORIGINAL (AT LEAST 105°) USE COPPER CONDUCTOR ONLY.
 2. TO CHANGE EVAPORATOR MOTOR SPEED REPLACE LEAD ON REVERSE WIRE FROM DEFROST RELAY WITH LEAD-HIGH SPEED
 3. FOR 208 VOLT TRANSFORMER OPERATION MOVE WHITE & PURPLE WIRE FROM TERMINAL (O) TERMINAL TO TRANSFORMER.
 4. START ASSIST USED ONLY ON MODELS EQUIPPED WITH INERTIA COMPRESSORS

SEE UNIT RATING PLATE FOR TYPE AND SIZE OF OVER CURRENT PROTECTION.

208-240/1Ø BH120-10

WIRING DIAGRAM FOR PACKAGE GAS (PGJ)



COMPONENT LEGEND

- ALS AUXILIARY LIMIT SWITCH
- BAE BLOWER FUNCTION BOX
- COMP COMPRESSOR
- CMV COMBUSTION MOTOR
- CC CONTACTOR
- CH CHANGEOVER HEATER
- ES END SWITCH
- FS FLAME SENSOR
- IC IGNITION CONTROL
- IS INTEGRATED IGNITION SYSTEM
- LS LIMIT SWITCH
- PL1 PULL OUT SWITCH
- SA START ASSIST
- TR TRANSFORMER
- TS TRANSFORMER HEAT & COOL
- VSM VARI SPEED MOTOR
- VSTB VAR SPEED TERM BLOCK

- WIRE SPALCE
 - UNMARKED TERMINAL
- WIRING
- LINE VOLTAGE
 - FIELD INSTALLED POWER
 - FIELD INSTALLED CONTROL
- WIRE CODE
- B BLACK
 - BL BLUE
 - BR BROWN
 - G GREEN
 - O ORANGE
 - PR PINK
 - PV PURPLE
 - R RED
 - W WHITE
 - Y YELLOW

NOTES

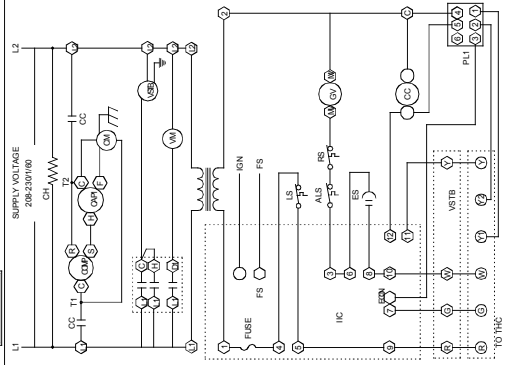
1. REPLACE WIRE MUST BE THE SAME SIZE AND TYPE OF INSULATION AS ORIGINAL (USE COPPER CONDUCTOR ONLY).
2. FIELD WIRING TO TERMINAL BLOCK FROM TERMINAL TO TERMINAL TRANSFORMER.
3. FOR 200 COMBUSTION MOTOR OPERATION CONNECT BLACK LEAD IN PLACE OF RED LEAD AT IC (D1).
4. CRANKCASE HEATER (OPTIONAL).
5. START ASSIST USED ON MODELS WITH INERTIA 'N' SHELL COMPRESSORS ONLY.

MAX FUSE SIZE

1.5 TON	30
2.0 TON	30
3.0 TON	40
4.0 TON	45
5.0 TON	50

MAX HATCH BREAKER SIZE

1.5 TON	30
2.0 TON	30
3.0 TON	40
4.0 TON	45
5.0 TON	50



STATUS LIGHT	EQUIP STATUS	CHECK
IGN	TRIP/NO IGNITION	NO POWER OR
OFF	INTERNAL CONTROL	REVERSE CONTROL
1 BLINK	IGNIT/NO FLAME	GAS PRESSURE
	OPEN/ROLL OUT	FLAME ROLL OUT
	OPEN/DR. LIMIT	FLAME SENSOR
	SWITCH	AIR/LIMIT OPEN
2 BLINKS	END SWITCH	VENTER
	OPEN	END SWITCH
3 BLINKS	END SWITCH/LOCK	END SWITCH
	OPEN/LIMIT SWITCH	MAIN/LIMIT OPEN
4 BLINKS	OPEN/LIMIT SWITCH	END SWITCH
5 BLINKS	FALSE FLAME SENSED	STUCK/GAS VALVE
6 BLINKS	NO FLAME/NO OUTPUT/DISLAY	3 MINUTE DELAY
		ANTI-CLOCK TIMER

INSTALLER/SERVICEMAN
THE STATUS LIGHT ON THE PURNAGE CONTROL MAY
BE USED AS A GUIDE TO TROUBLESHOOTING THIS
APPLIANCE. STATUS LIGHT CODES ARE AS FOLLOWS:

SYSTEM CHARGING-PACKAGED UNITS UNITS

All cooling units are to be charged by the superheat method

1. Read suction line pressure
2. Read suction line temperature
3. Determine superheat
 - A. Using refrigerant chart or table 1 below determine saturated liquid temperature for the suction pressure of the system
 - B. Refer to table 2 for required superheat.
 - C. Suction line temperature – saturated suction temperature = superheat.
4. Adjust charge : add refrigerant to lower superheat and decrease refrigerant to raise superheat.

TABLE 1

SUCTION PSIG	SAT TEMP
50	26
53	28
55	30
58	32
61	34
63	36
66	38
69	40
72	42
75	44
78	46
81	48

TABLE 2

AMBIENT TEMP (F)	RETURN AIR TEMPERATURE IN DEG F				
	65	70	75	80	85
100				5	5
95			5	5	5
90			7	12	18
85		5	10	17	20
80		5	12	21	26
75	5	10	17	25	29
70	5	14	20	28	32
65	13	19	26	32	35
60	17	25	30	33	37

SYSTEM CHECK FOR HEAT PUMP IN HEATING MODE

System must be running for 20 minutes before testing and 10 minutes between adjustments.

1. Read temperature of discharge line half way between compressor and reversing valve
 - A. Care should be taken to assure that reading is not affected by outside temperature.
2. Measure outdoor temperature
3. The temperature of the discharge line = outdoor temperature + 126 degree
4. Add refrigerant to lower temperature, decrease refrigerant to raise the temperature.

8.9 EER PACKAGE GAS COOLING

MODEL	TON	COMP	MOTOR EVAP	COND COIL	COIL TUBING (EVAP)	DR. PAN
PCC090-3	7.5	B1393702	B3240007	3215101S	3212906S	3209000
PCC090-4	7.5	B9266397	B3240007	3215101S	3212906S	3209000

8.9 EER PACKAGE GAS COOLING

MODEL	TON	CONDENSOR MOTOR	XMFR	HIGH PR. SWITCH	LOW PR. SWITCH	SEQUENCER	WHEEL
PCC090-3	7.5	B3240000	B1141654	B1360713	B1360717	B1256551	B13680-51
PCC090-4	7.5	B3240001	B1141653	B1360713	B1360717	B1256551	B13680-51

10 TON 10 SEER PACKAGE COOLING

MODEL	TON	COMP	MOTOR EVAP	COND COIL	COIL TUBING (EVAP)	DR. PAN
PCC120-3	10	B9266350	B3240004	3215102S	3212904S	3209000
PCC120-4	10	B9266399	B3240004	3215102S	3212904S	3209000

10 TON 10 SEER PACKAGE COOLING

MODEL	TON	CONDENSOR MOTOR	XMFR	HIGH PR. SWITCH	LOW PR. SWITCH	SEQUENCER	WHEEL
PCC120-3	10	B3240000	B1141654	B1360713	B1360717	B1256551	B1368052
PCC120-4	10	B3240001	B1141653	B1360713	B1360717	B1256551	B1368052

10 SEER PACKAGE COOLING

MODEL	TON	COMP	MOTOR EVAP	DRIER	COND COIL	COIL TUBING (EVAP)
PCK024-1	2	B9266812A	B13400313	B1219217	4161611	4111700S
PCK030-1	2.5	B9266816A	B13400312	B1219217	4161611	4111701S
PCK036-1	3	B9266606A	B13400312	B1219217	4161611	4111702S
PCK036-3A	3	B9266606A	B13400312	B1219217	4161611	4111702S
PCK042-1	3.5	B9266818A	B13400312	B1219217	4161601	4111706S
PCK048-1	4	B9266672	B13400353	B1219220	4161601	4111708S
PCK048-3	4	B9266204	B13400353	B1219220	4161601	4111708S
PCK060-1	5	B9266355	B13400353	B1219220	4161602	4111710S
PCK060-3	5	B9266353	B13400207S	B1219220	4161602	4111710S
PCK060-4	5	B9266357	B13400217	B1219220	4161602	4111710S

10 SEER PACKAGE COOLING

MODEL	TON	DR. PAN (NOTE)	CONDENSOR MOTOR	XMFR	CONTACTOR	CAPACITOR	WHEEL
PCK024-1	2	4111600S	B13400251	B1141643	B1360300	B94578700	B1368042
PCK030-1	2.5	4111600S	B13400251	B1141643	B1360300	B94575300	B1368042
PCK036-1	3	4111600S	B13400251	B1141643	B1360300	B94577200	B1368042
PCK036-3A	3	4111600S	B13400251	B1141643	B1360315	B945650	B1368036
PCK042-1	3.5	4111601S	B13400247	B1141643	B1360300	B94575400	B1368016
PCK048-1	4	4111601S	B13400247	B1141643	B1360300	B94575600	B1368016
PCK048-3	4	4111601S	B13400247	B1141643	B1360315	B945650	B1368016
PCK060-1	5	4111601S	B13400248	B1141643	B1360305	B94577500	B1368016
PCK060-3	5	4111601S	B13400248	B1141643	B1360315	B945650	B1368016
PCK060-4	5	4111601S	B13400249	B1141653	B1360315	B945650	B1368016

12 SEER PACKAGE COOLING

MODEL	TON	COMP	MOTOR EVAP	DRIER	COND COIL	COIL TUBING (EVAP)
PCKJ024-1A	2	B9266844A	B13400313	B1219217	4164611	4111703S
PCKJ030-1	2.5	B9266644A	B13400312	B1219217	4164611	4111705S
PCKJ036-1	3	B9266606A	B13400312	B1219217	4164611	4111707S
PCKJ036-1A	3	B9266380	B13400312	B1219217	4164611	4111707S
PCKJ042-1D	3.5	B9266375	B13400312	B1219217	4164611	4111709S
PCKJ048-1	4	B9266352	B13400312	B1219220	4164603	4111711S
PCKJ060-1	5	B9266349	B13400207S	B1219220	4164604	4111710S

12 SEER PACKAGE COOLING

MODEL	TON	DR. PAN	CONDENSOR MOTOR	XMFR	CONTACTOR	CAPACITOR	WHEEL
PCKJ024-1A	2	4111600S	B13400348	B1141643	B1360300	B945650	B1368042
PCKJ030-1	2.5	4111600S	B13400348	B1141643	B1360300	B945651	B1368042
PCKJ036-1	3	4111601S	B13400247	B1141643	B1360300	B945651	B1368036
PCKJ036-1A	3	4111601S	B13400247	B1141643	B1360300	B945651	B1368036
PCKJ042-1D	3.5	4111601S	B13400247	B1141643	B1360300	B945651	B1368036
PCKJ048-1	4	4111601S	B13400247	B1141643	B1360301	B945672	B1368036
PCKJ060-1	5	4111601S	B13400248	B1141643	B1360305	B945653	B1368016

10 SEER PACKAGE HEAT PUMP

MODEL	TON	COMP	MOTOR EVAP	DRIER	COND COIL	COIL TUBING (EVAP)	DR. PAN
PHK024-1	2	B9266833A	B13400313	B1219201S	4164605	4111704S	4111600S
PHK030-1	2.5	B9266864A	B13400312	B1219201S	4164605	41117012S	4111600S
PHK036-1	3	B9266835A	B13400312	B1219201S	4164606	41117013S	4111601S
PHK036-3	3	B9266609A	B13400312	B1219201S	4164606	41117013S	4111601S
PHK042-1	3.5	B9266218A	B13400353	B1219201S	4164607	41117016S	4111601S
PHK048-1	4	B9266201A	B13400353	B1219220	4164607	41117018S	4111601S
PHK048-3	4	B9266204A	B13400353	B1219220	4164607	41117018S	4111601S
PHK060-1	5	B9266349	B13400207A	B1219220	4164607	41117019S	4111601S
PHK060-3	5	B9266353	B13400207A	B1219220	4164607	41117019S	4111601S

10 SEER PACKAGE HEAT PUMP

MODEL	TON	CONDENSOR MOTOR	XMFR	CONTACTOR	CAPACITOR	WHEEL	ACCUM	REV VALVE
PHK024-1	2	B13400251	B1141643	B1360300	B945650	B1368042	B1226205	B1227300
PHK030-1	2.5	B13400251	B1141643	B1360300	B945651	B1368042	B1226205	B1227302
PHK036-1	3	B13400247	B1141643	B1360300	B945651	B1368036	B1226206	B1227302
PHK036-3	3	B13400247	B1141643	B1360315	B945651	B1368036	B1226206	B1227310
PHK042-1	3.5	B13400247	B1141643	B1360300	B945651	B1368036	B1226207	B1227310
PHK048-1	4	B13400248	B1141643	B1360301	B945672	B1368036	B1226207	B1227310
PHK048-3	4	B13400248	B1141643	B1360315	B945672	B1368036	B1226207	B1227310
PHK060-1	5	B13400248	B1141643	B1360305	B945653	B1368016	B1226207	B1227310
PHK060-3	5	B13400248	B1141643	B1360315	B945653	B1368016	B1226207	B1227310

12 SEER PACKAGE HEAT PUMP

MODEL	TON	COMP	MOTOR EVAP	DRIER	COND COIL	COIL TUBING (EVAP)	DR. PAN
PHKJ024-1A	2	B9266832A	B13400313	B1219201S	4164606	4111714S	4111601S
PHKJ030-1	2.5	B92666452A	B13400312	B1219201S	4164606	4111715S	4111601S
PHKJ036-1	3	B9266667	B13400312	B1219201S	4164607	4111717S	4111601S
PHKJ036-1A	3	B9266380	B13400312	B1219201S	4164607	4111717S	4111601S
PHKJ042-1	3.5	B9266375	B13400313	B1219201S	4164609	4111727S	4111601S
PHKJ048-1A	4	B9266352	B13400353	B1219201S	4164609	4111727S	4111601S
PHKJ060-1A	5	B9266379	B13400207S	B1219220	4164608	4111721S	4111601S

12 SEER PACKAGE HEAT PUMP

MODEL	TON	CONDENSOR MOTOR	XMFR	CONTACTOR	CAPACITOR	WHEEL	ACCUM	REV VALVE
PHKJ024-1A	2	B13400348	B1141643	B1360300	B945650	B1368042	B1226206	B1227302
PHKJ030-1	2.5	B13400348	B1141643	B1360300	B945651	B1368042	B1226206	B1227302
PHKJ036-1	3	B13400247	B1141643	B1360300	B945651	B1368036	B1226207	B1227310
PHKJ036-1A	3	B13400247	B1141643	B1360300	B945651	B1368036	B1226207	B1227310
PHKJ042-1	3.5	B13400270	B1141643	B1360301	B945651	B1368036	B1226207	B1227310
PHKJ048-1A	4	B13400248	B1141643	B1360301	B945651	B1368036	B1226207	B1227310
PHKJ060-1A	5	B13400248	B1141643	B1360305	B945653	B1368016	B1226207	B1227310

8.9 EER PACKAGE GAS ROOFTOP

MODEL	TON/BTU	COMP	MOTOR EVAP	COND COIL	COIL TUBING (EVAP)	DR. PAN
PGC090195-3	7.5/195K	B9266398	B3240007	3215101S	3212906S	3209000
PGC090195-4	7.5/195K	B9266397	B3240007	3215101S	3212906S	3209000

8.9 EER PACKAGE GAS ROOFTOP

MODEL	TON/BTU	CONDENSOR MOTOR	XMFR	HIGH PR. SWITCH	LOW PR. SWITCH	IGNITION CONTROL	WHEEL
PGC090195-3	7.5/195K	B3240000	B1141654	B1360713	B1360717	B1809918	B1368051
PGC090195-4	7.5/195K	B3240001	B1141663 B1141653	B1360713	B1360717	B1809918	B1368051

10 SEER PACKAGE GAS ELECTRIC

MODEL	TON/BTU	COMP	MOTOR EVAP	DRIER	COND COIL	COIL TUBING (EVAP)	DR. PAN
PGB024050-1	2.0/50K	B9266812A	B13400313	B1219217	2964600	2956500S	2902802P
PGB024075-1	2.0/75K	B9266812A	B13400313	B1219217	2964600	2956500S	2902802P
PGB030050-1A	2.5/50K	B9266830A	B13400312	B1219217	2964600	2956501S	2902802P
PGB030075-1A	2.5/75K	B9266830A	B13400312	B1219217	2964600	2956501S	2902802P
PGB030100-1A	2.5/100K	B9266830A	B13400312	B1219217	2964601	2956502S	1902802P
PGB036050-1A	3.0/50K	B9266606A	B13400312	B1219217	2964605	2956508S	2902802P
PGB036075-1B	3.0/75K	B9266606A	B13400312	B1219217	2964605	2956508S	2902802P
PGB036075-3A	3.0/75K	B9266606A	B13400312	B1219217	2964605	2956508S	2902802P
PGB036100-1A	3.0/100K	B9266606A	B13400312	B1219217	2964601	2956503S	1902802P

10 SEER PACKAGE GAS ELECTRIC

MODEL	TON/BTU	CONDENSOR MOTOR	XMFR	HEAT EXCHANGER	LIMIT SWITCH	IGNITION CONTROL	BLOWER WHEEL
PGB024050-1	2.0/50K	B13400251	B1141643	2921300S	B1370902	B1809918	B1368042
PGB024075-1	2.0/75K	B13400251	B1141643	2921301S	B1370901	B1809918	B1368042
PGB030050-1A	2.5/50K	B13400251	B1141643	2921300S	B1370902	B1809918	B1368042
PGB030075-1A	2.5/75K	B13400251	B1141643	2921301S	B1370909	B1809918	B1368042
PGB030100-1A	2.5/100K	B13400251	B1141643	2921304S	B1370901	B1809918	B1368034
PGB036050-1A	3.0/50K	B13400251	B1141643	2921300S	B1370902	B1809918	B1368034
PGB036075-1B	3.0/75K	B13400251	B1141643	2921301S	B1370901	B1809918	B1368034
PGB036075-3A	3.0/75K	B13400251	B1141643	2921301S	B1370901	B1809918	B1368034
PGB036100-1A	3.0/100K	B13400247	B1141643	2921304S	B1370901	B1809918	B1368034

10 SEER PACKAGE GAS ELECTRIC

MODEL	TON/BTU	COMP	MOTOR EVAP	DRIER	COND COIL	COIL TUBING (EVAP)	DR. PAN
PGB042075-1A	3.5/75K	B9266840A	B13400353	B1219217	2964601	2956504S	1902802P
PGB042100-1A	3.5/100K	B9266840A	B13400353	B1219217	2964601	2956504S	1902802P
PGB042125-1	3.5/125K	B9266218A	B13400353	B1219217	2964602	2956519S	2902802P
PGB048075-1A	4.0/75K	B9266872A	B13400353	B1219217	2964602	2956506S	1902803P
PGB048100-3A	4.0/100K	B9266873A	B13400353	B1219217	2964602	2956506S	1902803P
PGB048125-1A	4.0/125K	B9266872A	B13400353	B1219217	2964602	2956506S	1902803P
PGB048150-1A	4.0/150K	B9266872A	B13400353	B1219217	2964602	2956506S	1902803P
PGB048150-3A	4.0/150K	B9266873A	B13400353	B1219217	2964602	2956506S	1902803P
PGB060100-1	5.0/100K	B9266355	B13400207S	B1219217	2964602	2956507S	1902803P
PGB060100-3	5.0/100K	B9266353	B13400207S	B1219217	2964602	2956507S	1902803P
PGB060125-1	5.0/125K	B9266355	B13400207S	B1219217	2964602	2956507S	1902803P
PGB060125-3	5.0/125K	B9266353	B13400207S	B1219217	2964602	2956507S	1902803P
PGB060150-1	5.0/150K	B9266355	B13400207S	B1219217	2964602	2956507S	1902803P
PGB060150-3	5.0/150K	B9266353	B13400207S	B1219217	2964602	2956507S	1902803P
PGB060150-4	5.0/150K	B9266657	B13400317	B1219217	2964602	2956507S	1902803P
PGC120225-3	10.0/225K	B9266350	B3240004	B1219225	3215102S	3212904	3209000
PGC120225-4	10.0/225K	B9266399	B3240004	B1219225	3215102S	3264804	3209000

10 SEER PACKAGE GAS ELECTRIC

MODEL	TON	CONDENSOR MOTOR	XMFR	HEAT EXCHANGER	LIMIT SWITCH	IGNITION CONTROL	BLOWER WHEEL
PGB042075-1A	3.5/75K	B13400247	B1141643	2921303S	B1370902	B1809918	B1368016
PGB042100-1A	3.5/100K	B13400247	B1141643	2921304S	B1370902	B1809918	B1368016
PGB042125-1	3.5/125K	B13400247	B1141643	2921307S	B1370901	B1809918	B1368016
PGB048075-1A	4.0/75K	B13400248	B1141643	2921305S	B1370902	B1809918	B1368047A
PGB048100-3A	4.0/100K	B13400248	B1141643	2921306S	B1370901	B1809918	B1368047A
PGB048125-1A	4.0/125K	B13400248	B1141643	2921307S	B1370901	B1809918	B1368047A
PGB048150-1A	4.0/150K	B13400248	B1141643	2921308S	B1370909	B1809918	B1368047A
PGB048150-3A	4.0/150K	B13400248	B1141643	2921308S	B1370909	B1809918	B1368047A
PGB060100-1	5.0/100K	B13400248	B1141643	2921306S	B1370902	B1809918	B1368000
PGB060100-3	5.0/100K	B13400248	B1141643	2921306S	B1370902	B1809918	B1368000
PGB060125-1	5.0/125K	B13400248	B1141643	2921307S	B1370902	B1809918	B1368000
PGB060125-3	5.0/125K	B13400248	B1141643	2921307S	B1370902	B1809918	B1368000
PGB060150-1	5.0/150K	B13400248	B1141643	2921308S	B1370909	B1809918	B1368000
PGB060150-3	5.0/150K	B13400248	B1141643	2921308S	B1370909	B1809918	B1368000
PGB060150-4	5.0/150K	B13400248	B1141653	2921308S	B1370909	B1809918	B1368000
PGC120225-3	10.0/225K	B3240000	B1141654	3203700	B1370164	B1809918S	B1368052
PGC120225-4	10.0/225K	B3240001	B1141653	3210607	B1370164	B1809918S	B1368052

12 SEER PACKAGE GAS ELECTRIC

MODEL	TON/BTU	COMP	EVAP MOTOR	DRIER	COND COIL	COIL TUBING (EVAP)	BASEPAN
PGJ024050-1A	2.0/50K	B9266844A	B1340802PAS	B1219217	2964601	2956517S	2914501S
PGJ024075-1A	2.0/75K	B9266844A	B1340802PAS	B1219217	2964601	2956517S	2914501S
PGJ030050-1A	2.5/50K	B9266643A	B1340802PAS	B1219217	2964601	2956516S	2914501S
PGJ030075-1A	2.5/75K	B9266643A	B1340002PAS	B1219217	2964601	2956516S	2914501S
PGJ036075-1A	3.0/75K	B9266640A	B1340803PAS	B1219217	2964602	2956518S	2924501S
PGJ036100-1A	3.0/100K	B9266640A	B1340803PAS	B1219217	2964602	2956518S	2924501S
PGJ042075-1A	3.5/75K	B9266638A	B1340803PAS	B1219217	2964602	2956515S	2924501S
PGJ042100-1A	3.5/100K	B9266638A	B1340803PAS	B1219217	2964602	2956515S	2924501S
PGJ048075-1	4.0/75K	B9266352	B1340803PAS	B1219217	2964602	2956514S	2924501S
PGJ048100-1	4.0/100K	B9266352	B1340803PAS	B1219217	2964602	2956514S	2924501S

12 SEER PACKAGE GAS ELECTRIC

MODEL	TON/BTU	CONDENSOR MOTOR	XMFR	HEAT EXCHANGER	LIMIT SWITCH	IGNITOR	BLOWER ASM
PGJ024050-1A	2.0/50K	B13400247	B1141643	2521300	B1370903	B1400112	2968227S
PGJ024075-1A	2.0/75K	B13400247	B1141643	2521301	B1370902	B1400112	2968227S
PGJ030050-1A	2.5/50K	B13400247	B1141643	2521300	B1370903	B1400112	2968227S
PGJ030075-1A	2.5/75K	B13400247	B1141643	2521301	B1370901	B1400112	2968227S
PGJ036075-1A	3.0/75K	B13400247	B1141643	2521301	B1370903	B1400112	2968217S
PGJ036100-1A	3.0/100K	B13400247	B1141643	2521302	B1370902	B1400112	2968217S
PGJ042075-1A	3.5/75K	B13400247	B1141643	2521301	B1370902	B1400112	2968217S
PGJ042100-1A	3.5/100K	B13400247	B1141643	2521302	B1370901	B1400112	2968217S
PGJ048075-1	4.0/75K	B13400248	B1141643	2521301	B1370902	B1400112	2968217S
PGJ048100-1	4.0/100K	B13400248	B1141643	2521302	B1370901	B1400112	2968217S

PISTON KIT CHART

GoodPartssm

Quick Reference Parts Manual

WARNING:

For use by trained professional technicians only. Dangerous and hazardous conditions exist, similar to all air conditioners, which can cause property damage, serious injury or death.

PISTON KIT CHART - SPLIT SYSTEM COOLING

OUTDOOR SECTION	GOODMAN INDOOR COIL BTU's	INDOOR PISTON SIZE	PISTON KIT PART NO.
CKL18-1	18000	.052	(2)
	24000	.059 TO .052	B17898-52 (3)
	29000	.059 TO .052	B17898-52 (3)
	31000	.068 TO .055	B17898-55 (3)
	32000	.068 TO .055	B17898-55 (3)
	36000	.071 TO .055	B17898-55 (3)
	AH18 AE(R)24	.049 .062 TO .055	(2) B17898-55 (3)
CKL24-1	24000	.059	(2)
	29000	.059	(2)
	30000	.065 TO .059	B17898-59 (3)
	31000	.068 TO .062	B17898-62 (3)
	32000	.068 TO .062	B17898-62 (3)
	36000	.071 TO .062	B17898-62 (3)
	AE(R)24	.062	(2)
CKL30-1	29000	0.059 TO .065	(4)
	30000	.065	(2)
	31000	.068 TO .065	B17898-65 (3)
	32000	.068 TO .065	B17898-65 (3)
	36000	.071 TO .065	B17898-65 (3)
	42000	.078 TO .068	B17898-68 (3)
	49000 AE(R)30 AE(R)36	.082 TO .068 .068 .074 TO .068	B17898-68 (3) (2) B17898-68 (3)
CKL36-1	35000	.071	(2)
	36000	.071	(2)
	42000	.078 TO .073	B17898-73 (3)
	49000	.082 TO .073	B17898-73 (3)
	AE(R)36	.074	(2)

OUTDOOR SECTION	GOODMAN INDOOR COIL BTU's	INDOOR PISTON SIZE	PISTON KIT PART NO.
CKL42-1	42000	.078	(2)
	47000	.082 TO .078	B17898-78 (3)
	48000	.082 TO .078	B17898-78 (3)
	49000	.082 TO .078	B17898-78 (3)
	6000	.090 TO .078	B17898-78 (3)
	AE(R)48	.082	(2)
CKL49-1/3	47000	.082 TO .080	B17898-80 (1)
	48000	.082 TO .080	B17898-80 (1)
	49000	.082 TO .080	B17898-80 (1)
	59000	.090 TO .080	B17898-80 (1)
	60000	.090 TO .080	B17898-80 (1)
	61000 AE(R)48	.090 TO .080 .082	B17898-80 (1) (2)
CKL60-1/3	60000	.090	(2)
	61000	.090	(2)
	62000	.090	(2)
	AE(R)60	.090	(2)
CKL62-1	59000	.090 TO .093	B17898-93 (1)
	60000	.090 TO .093	B17898-93 (1)
	61000	.090 TO .093	B17898-93 (1)
	62000	.090 TO .093	B17898-93 (1)
	AE(R)60	.090 TO .093	B17898-93 (1)
CLJ18-1	18000	.052 TO .055	B17898-55 (1)
	24000	.059 TO .055	B17898-55 (1)
	29000	.059 TO .055	B17898-55 (1)
	30000	.065 TO .055	B17898-55 (1)
	31000	.068 TO .055	B17898-55 (1)
	32000	.068 TO .055	B17898-55 (1)
	36000	.071 TO .055	B17898-55 (1)
	AH18 AE(R)24	.049 TO .052 .062 TO .055	B17898-52 (3) B17898-55 (1)

OUTDOOR SECTION	GOODMAN INDOOR COIL BTU's	INDOOR PISTON SIZE	PISTON KIT PART NO.
CLJ24-1	24000	.059	(2)
	30000	.065 TO .059	B17898-59 (1)
	31000	.068 TO .059	B17898-59 (1)
	32000	.068 TO .059	B17898-59 (1)
	29000	.059	(2)
	36000	.071 TO .059	B17898-59 (1)
	AE(R)24	.062 TO .059	B17898-59 (1)
CLJ30-1	30000	.065	(2)
	31000	.068 TO .065	B17898-65 (1)
	32000	.068 TO .065	B17898-65 (1)
	36000	.071 TO .065	B17898-65 (1)
	AE(R)30	.068 TO .065	B17898-65 (1)
	AE(R)36	.071 TO .065	B17898-65 (1)
CLJ36-1	36000	.071	(2)
	42000	.078 TO .073	B17898-73 (1)
	47000	.082 TO .073	B17898-73 (1)
	49000	.082 TO .073	B17898-73 (1)
	AE(R)36	.074	(2)

(1) SUPPLIED WITH OUTDOOR UNIT
 (2) CORRECT PISTON ALREADY PROVIDED ON INDOOR COIL
 (3) PURCHASE PISTON KIT FROM DISTRIBUTOR
 (4) B17898-65 PISTON PROVIDED ON INDOOR COIL
 (5) CORRECT PISTON ALREADY PROVIDED ON OUTDOOR UNIT (AT THE LIQUID SERVICE VALVE)

NOTE: MOST UNITS ARE SHOWN AS THE ROOT UNIT. BTUHS AND ORIFICE SIZES ARE EQUAL FOR REVISED UNITS, UNLESS OTHERWISE NOTED.

PISTON KIT CHART - SPLIT SYSTEM COOLING

OUTDOOR SECTION	GOODMAN INDOOR COIL BTU's	INDOOR PISTON SIZE	PISTON KIT PART NO.
CLJ42-1	42000	.078	(2)
	48000	.082 TO .078	B17898-78 (1)
	49000	.082 TO .078	B17898-78 (1)
	59000	.090 TO .078	B17898-78 (1)
	60000	.090 TO .078	B17898-78 (1)
	AE(R)48	.082 TO .078	B17898-78 (1)
CLJ48-1A	48000	.082	(2)
	49000	.082	(2)
	59000	.090 TO .082	B17898-82 (1)
	60000	.090 TO .082	B17898-82 (1)
	61000	.090 TO .082	B17898-82 (1)
	62000	.090 TO .082	B17898-82 (1)
	AE(R)48	.082	(2)
CLJ60-1	59000	.090 TO .093	B17898-93 (1)
	60000	.090 TO .093	B17898-93 (1)
	61000	.090 TO .093	B17898-93 (1)
	62000	.090 TO .093	B17898-93 (1)
		AE(R)60	.090 TO .093
CLT24-1A	24000	.059 TO .055	B17898-55 (1)
	29000	.059 TO .055	B17898-55 (1)
	31000	.059 TO .055	B17898-55 (1)
	32000	.059 TO .055	B17898-55 (1)
	36000	.059 TO .055	B17898-55 (1)
	42000	.059 TO .055	B17898-55 (1)
	49000	.059 TO .055	B17898-55 (1)
		AE(R)24	.059 TO .055
CLT30-1	30000	.065	(2)
	32000	.068 TO .065	B17898-65 (1)
	36000	.071 TO .065	B17898-65 (1)
	42000	.078 TO .065	B17898-65 (1)
	49000	.082 TO .065	B17898-65 (1)
	AE(R)36	.074 TO .065	B17898-65 (1)

OUTDOOR SECTION	GOODMAN INDOOR COIL BTU's	INDOOR PISTON SIZE	PISTON KIT PART NO.	
CLT36-1	47000	.082 TO .074	B17898-74 (1)	
	48000	.082 TO .074	B17898-74 (1)	
	49000	.082 TO .074	B17898-74 (1)	
	60000	.090 TO .074	B17898-74 (1)	
	AE(R)36	.074	(2)	
CLT42-1	42000	.078	(2)	
	48000	.082 TO .078	B17898-78 (3)	
	49000	.082 TO .078	B17898-78 (3)	
	61000	.090 TO .080	B17898-80 (1)	
	62000	.090 TO .080	B17898-80 (1)	
	AE(R)48	.082	(2)	
CLT48-1	48000	.082	(2)	
	49000	.082	(2)	
	60000	.090 TO .082	B17898-82 (1)	
	61000	.090 TO .082	B17898-82 (1)	
	AE(R)48	.082	(2)	
CLT60-1	60000	.090 TO .088	B17898-88 (1)	
	61000	.090 TO .088	B17898-88 (1)	
	62000	.090 TO .088	B17898-88 (1)	
		AE(R)60	.090 TO .088	B17898-88 (1)
CLQ24-1	31000	.068 TO .059	B17898-59 (1)	
	32000	.068 TO .059	B17898-59 (1)	
	36000	.071 TO .059	B17898-59 (1)	
	42000	.078 TO .059	B17898-59 (1)	
	47000	.082 TO .059	B17898-59 (1)	
	49000	.082 TO .059	B17898-59 (1)	
		AE(R)24	.062 TO .059	B17898-59 (1)
CLQ30-1	31000	.068 TO .065	B17898-65 (1)	
	32000	.068 TO .065	B17898-65 (1)	
	36000	.071 TO .065	B17898-65 (1)	
	60000	.090 TO .065	B17898-65 (1)	
	61000	.090 TO .065	B17898-65 (1)	
	62000	.090 TO .065	B17898-65 (1)	
		AE(R)36	.074 TO .065	B17898-65 (1)

OUTDOOR SECTION	GOODMAN INDOOR COIL BTU's	INDOOR PISTON SIZE	PISTON KIT PART NO.
CLQ36-1	49000	.082 TO .073	B17898-73(1)
	60000	.082 TO .073	B17898-73(1)
	61000	.082 TO .073	B17898-73(1)
	62000	.082 TO .073	B17898-73(1)
		AE(R)36	.082 TO .073
CLQ42-1	49000	.082 TO .080	B17898-80(1)
	60000	.082 TO .080	B17898-80(1)
	61000	.082 TO .080	B17898-80(1)
	62000	.082 TO .080	B17898-80(1)
		AE(R)48	.082 TO .080
CLQ48-1	49000	.082	(2)
	60000	.090 TO .082	B17898-82(1)
	61000	.090 TO .082	B17898-82(1)
	62000	.090 TO .082	B17898-82(1)
	AE(R)48	.082	(2)
CLQ60-1	60000	.090	(2)
	61000	.090	(2)
	62000	.090	(2)
	AE(R)60	.090	(2)

(1) SUPPLIED WITH OUTDOOR UNIT
 (2) CORRECT PISTON ALREADY PROVIDED ON INDOOR COIL
 (3) PURCHASE PISTON KIT FROM DISTRIBUTOR
 (4) B17898-65 PISTON PROVIDED ON INDOOR COIL
 (5) CORRECT PISTON ALREADY PROVIDED ON OUTDOOR UNIT (AT THE LIQUID SERVICE VALVE)

NOTE: MOST UNITS ARE SHOWN AS THE ROOT UNIT. BTUHS AND ORIFICE SIZES ARE EQUAL FOR REVISED UNITS, UNLESS OTHERWISE NOTED.

PISTON KIT CHART - SPLIT SYSTEM HEAT PUMPS

OUTDOOR SECTION	GOODMAN INDOOR COIL BTU's	INDOOR PISTON SIZE	PISTON KIT PART NO.
CPLE18-1	18000	.052	(2)
	24000	.059 TO .052	B17898-52 (3)
	29000	.059 TO .052	B17898-52 (3)
	36000	.071 TO .052	B17898-52 (3)
CPLE24-1	24000	.059	(2)
	29000	.059	(2)
	30000	.065 TO .059	B17898-59 (3)
	31000	.068 TO .059	B17898-59 (3)
	32000	.068 TO .059	B17898-59 (3)
CPLE30-1	36000	.071 TO .059	B17898-59 (3)
	29000	.059 TO .065	B17898-65 (3)
	30000	.065	(2)
	31000	.068	(2)
	32000	.068	(2)
CPLE36-1	36000	.071 TO .068	B17898-68 (3)
	48000	.082 TO .068	B17898-68 (3)
	35000	.071 TO .074	B17898-74 (1)
	36000	.071 TO .074	B17898-74 (1)
CPLE42-1	42000	.078	(2)
	47000	.082 TO .078	B17898-78 (3)
	48000	.082 TO .078	B17898-78 (3)
	49000	.082 TO .078	B17898-78 (3)
	CPLE48-1	47000	.082
49000		.082	(2)
59000		.090 TO .082	B17898-82 (3)
60000		.090 TO .082	B17898-82 (3)
61000		.090 TO .082	B17898-82 (3)
CPLE48-1	62000	.090 TO .082	B17898-82 (3)

OUTDOOR SECTION	GOODMAN INDOOR COIL BTU's	INDOOR PISTON SIZE	PISTON KIT PART NO.
CPLT36-1	48000	.082 TO .073	B17898-73 (1)
	49000	.082 TO .073	B17898-73 (1)
	60000	.082 TO .073	B17898-73 (1)
	AE(R)36	.082 TO .073	B17898-73 (1)
CPLT42-1	49000	.082 TO .078	B17898-78 (1)
	60000	.090 TO .078	B17898-78 (1)
	61000	.090 TO .078	B17898-78 (1)
	AE(R)48	.082 TO .078	B17898-78 (1)
CPLT48-1	61000	.090 TO .084	B17898-84 (1)
	AE(R)48	.082 TO .084	B17898-84 (1)
CPLT60-1	61000	.090 TO .092	B17898-92 (1)
	AE(R)60	.090 TO .092	B17898-92 (1)
CPLE60-1/3	61000	.090 TO .092	B17898-92 (1)
CPLJ18-1	18000	.052	(2)
	24000	.059 TO .055	B17898-55 (1)
	32000	.068 TO .055	B17898-55 (1)
	36000	.071 TO .055	B17898-55 (1)
	AE(R)24	.062 TO .055	B17898-55 (1)
CPLJ24-1	24000	.059 TO .065	B17898-65 (1)
	30000	.065	(2)
	31000	.068 TO .065	B17898-65 (1)
	32000	.068 TO .065	B17898-65 (1)
	36000	.071 TO .065	B17898-65 (1)
	42000	.078 TO .065	B17898-65 (1)
	AE(R)24	.062 TO .065	B17898-65 (1)
CPLJ30-1	30000	.065	(2)
	32000	.068	(2)
	36000	.071 TO .068	B17898-68 (1)
	42000	.078 TO .068	B17898-68 (1)
	AE(R)30 AE(R)36	.068 .074 TO .068	(2) B17898-68 (1)
CPLJ36-1	36000	.071	(2)
	42000	.078 TO .074	B17898-74 (1)
	49000	.082 TO .074	B17898-74 (1)
	AE(R)36	.074	(2)

OUTDOOR SECTION	GOODMAN INDOOR COIL BTU's	INDOOR PISTON SIZE	PISTON KIT PART NO.
CPLJ42-1	42000	.078	(2)
	49000	.082 TO .078	B17898-78 (1)
	60000	.090 TO .078	B17898-78 (1)
	61000	.090 TO .078	B17898-78 (1)
CPLJ48-1	AE(R)48	.082 TO .078	B17898-78 (1)
	48000	.082	(2)
	49000	.082 TO .084	B17898-84(1)
	60000	.090 TO .084	B17898-84(1)
CPLJ60-1	61000	.090 TO .084	B17898-84(1)
	AE(R)48	.082 TO .084	B17898-84(1)
	60000	.090 TO .089	B17898-89 (1)
	61000	.090 TO .089	B17898-89 (1)
CPLT24-1	62000	.090 TO .089	B17898-89 (1)
	AE(R)60	.090 TO .089	B17898-89 (1)
	32000	.068 TO .062	B17898-62 (1)
	36000	.071 TO .062	B17898-62 (1)
CPLT30-1	42000	.078 TO .062	B17898-62 (1)
	AE(R)24	.062	(2)
	32000	.068 TO .071	B17898-71 (1)
	36000	.071	(2)
	42000	.078 TO .071	B17898-71 (1)
CPLT30-1	AE(R)30	.068 TO .071	B17898-71 (1)
	AE(R)36	.074 TO .071	B17898-71 (1)

(1) SUPPLIED WITH OUTDOOR UNIT
(2) CORRECT PISTON ALREADY PROVIDED ON INDOOR COIL
(3) PURCHASE PISTON KIT FROM DISTRIBUTOR
(4) B17898-65 PISTON PROVIDED ON INDOOR COIL
(5) CORRECT PISTON ALREADY PROVIDED ON OUTDOOR UNIT (AT THE LIQUID SERVICE VALVE)
NOTE: MOST UNITS ARE SHOWN AS THE ROOT UNIT. BTUHS AND ORIFICE SIZES ARE EQUAL FOR REVISED UNITS, UNLESS OTHERWISE NOTED.

PISTON KIT CHART

OUTDOOR SECTION	GOODMAN INDOOR COIL BTU's	INDOOR PISTON SIZE	PISTON KIT PART NO.
EXPORT UNITS			
CKF36-2/5 CKF36-2L/5L	36000	.067	(2)
CKF48-5 CKF48-5L	48000	.076	(2)
CKF60-5 CKF60-5L CKF705L	60000 60000 60000	.089 .089 .089	(2) (2) (2)
CPKF24-2 CPKF24-2L CPKF36-2/5 CPKF36-2L/5L	24000 24000 36000 36000	.059 .059 .067 .067	(2) (2) (2) (2)
CPKF36-2/5 CPKF36-2L/5L	48000 48000	.076 TO .067 .076 TO .067	B17898-67(3) B17898-67(3)
CPKF42-5 CPKF42-5L CPKF48-2 CPKF48-2L CPKF48-5 CPKF48-5L CPKF60-5 CPKF60-5L CPKF61-5 CPKF61-5L	48000 48000 48000 48000 48000 48000 60000 60000 60000 60000	.076 TO .073 .076 TO .073 .076 .076 .076 .076 .089 .089 .089 TO .092 .089 TO .092	B17898-73 (3) B17898-73 (3) (2) (2) (2) (2) (2) (2) (2) B17898-92 (3) B17898-92 (3)

OUTDOOR SECTION	GOODMAN INDOOR COIL BTU's	INDOOR PISTON SIZE	PISTON KIT PART NO.
MINI SPLIT UNITS			
HDC12-1A	12000 18000	.045 .045	(5) (5)
HDC18-1A	18000 24000	.052 .052	(5) (5)
HDC24-1A	24000	.055	(5)
HDP12-1A	12000 18000	.045 .045	(5) (5)
HDP18-1A	18000 24000	.052 .052	(5) (5)
HDP24-1A	24000	.055	(5)
THROUGH THE WALL UNITS			
TWC18-1	18000	.052	(2)
TWC24-1	24000 30000	.059 .059	(2) B17898-59 (3)
TWCR30-1	36000	.062	B17898-62 (1)